

DOOR SCHEDULE							
DOOR #	SIZE	DOOR	FRAME	GLAZING	RATING	ELEVATION	HARDWARE
100	12'-3" X 7'-0"	HM	HM	INSUL TSG	NONE	4A/A3.1	1
101	12'-3" X 7'-0"	3C OAK	HM	TSG	NONE	C/A4.1	3
102	12'-3" X 7'-0"	3C OAK	HM	TSG	NONE	C/A4.1	3
103	12'-3" X 7'-0"	3C OAK	HM	NONE	NONE	C/A4.1	4
104	12'-3" X 7'-0"	3C OAK	HM	NONE	NONE	C/A4.1	4
105	12'-3" X 7'-0"	3C OAK	HM	TSG	NONE	C/A4.1	3
106	12'-3" X 7'-0"	3C OAK	HM	TSG	NONE	C/A4.1	3
107	12'-3" X 7'-0"	3C OAK	HM	TSG	NONE	C/A4.1	3
108A	12'-3" X 7'-0"	3C OAK	HM	TSG	NONE	C/A4.1	3
108B	12'-3" X 7'-0"	3C OAK	HM	TSG	NONE	C/A4.1	3
109	12'-3" X 7'-0"	HM	HM	INSUL TSG	NONE	4A/A3.1	1
110A	12'-3" X 7'-0"	3C OAK	HM	TSG	NONE	C/A4.1	2
110B	12'-3" X 7'-0"	3C OAK	HM	TSG	NONE	C/A4.1	2
111	12'-3" X 7'-0"	3C OAK	HM	TSG	NONE	C/A4.1	3

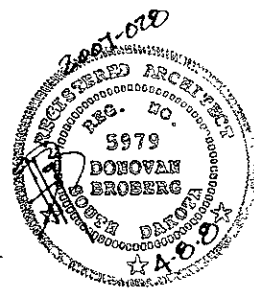
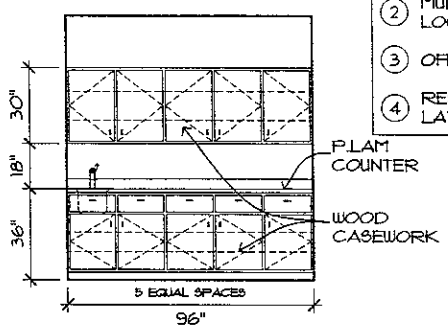
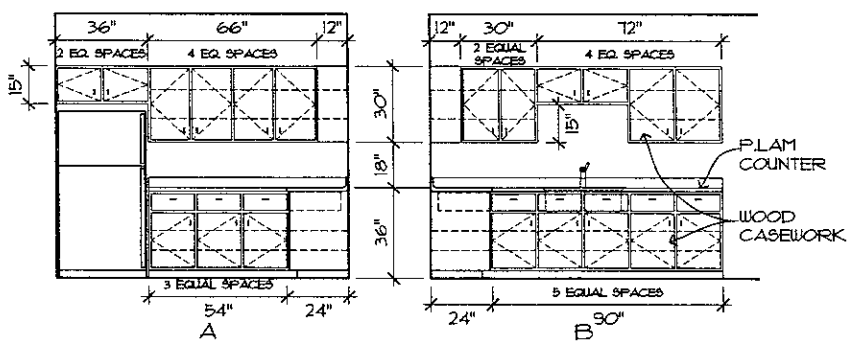


③ HOLLOW METAL DOOR & FRAME ELEVATION

① INTERIOR DOOR & FRAME ELEVATIONS

A4.1 1/4"=1'-0"

- HARDWARE GROUPS:
- ① EXTERIOR DOOR: HINGES, PANIC WITH EXTERIOR CYLINDER, PULL, THRESHOLD, WEATHERSTRIPPING, CLOSER
 - ② MULTI-PURPOSE: HINGES, LOCKSET, CLOSER
 - ③ OFFICE: HINGES, LOCKSET
 - ④ RESTROOM: HINGES, PRIVACY LATCHSET, WEATHERSTRIPPING

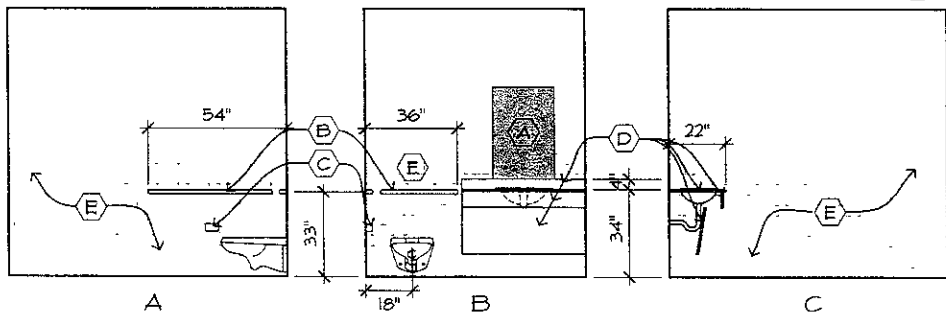


② SUPPLY/BREAK ROOM # 102

A4.1 1/4"=1'-0"

④ EXAM ROOM #105

A4.1 1/4"=1'-0"



- KEY NOTES
- Ⓐ 24x36 MIRROR
 - Ⓑ 36" AND 48" GRAB BAR
 - Ⓒ TOILET PAPER DISPENSER
 - Ⓓ SOLID SURFACE COUNTERTOP WITH INTEGRAL SS BOWL/SINK, PLAM FASCIA AND APRON
 - Ⓔ 4'-0" HIGH CERAMIC TILE WAINSCOT

③ STAFF/VISITOR RESTROOM #103

A4.1 1/4"=1'-0"

DATE: APRIL 25 2008
 PROJECT MANAGER: DONOVAN BROBERG
 PROJECT NUMBER: 2007-028
 REVISIONS:

SD DOC TRUSTEE
 RAPID CITY SOUTH DAKOTA
 INTERIOR ELEVATIONS

A4.1