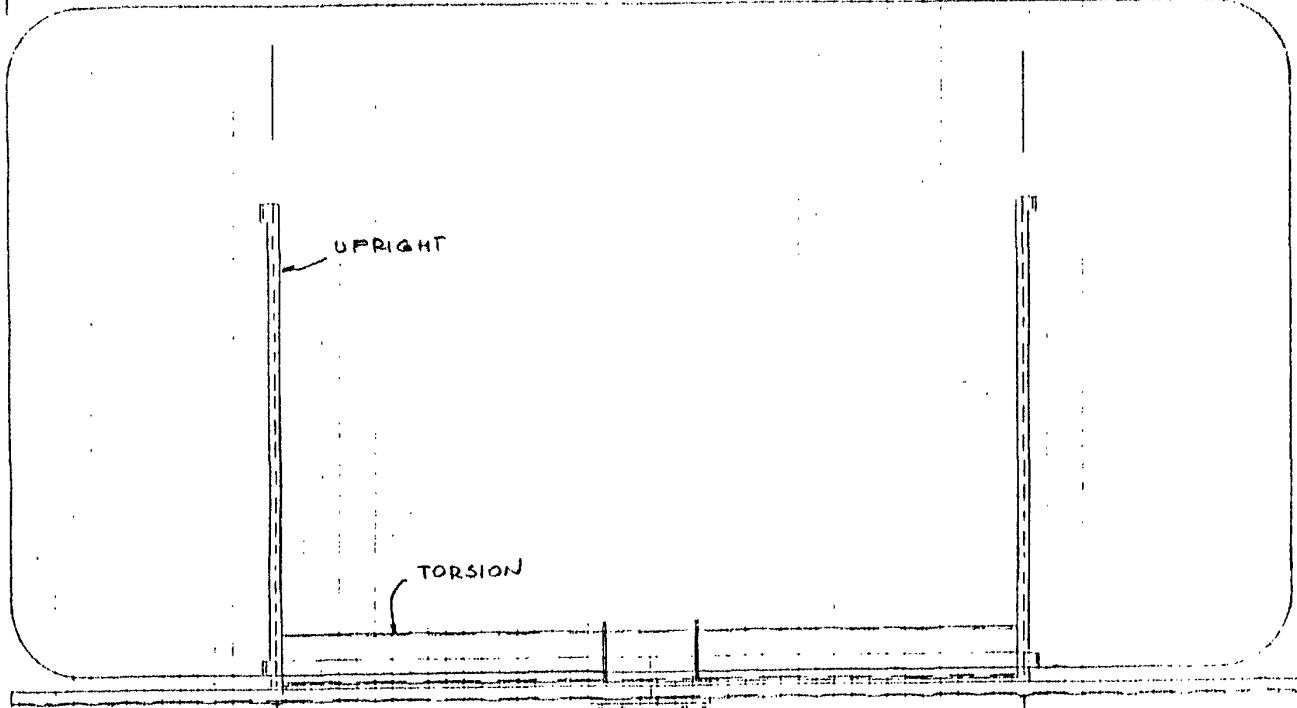


14'-4" 14'-0" 4'-4"

10'-6" FACE

O.A. HEIGHT (SEE TABLE)



BAA
L4x

LEDGER

COLUMN LADDER

CROSSOVER
& WALKWAY

COLUMN
(SEE TABLE)

ELEVATION

GRADE

SLOPE CONCRETE
AWAY FROM PIPE

COLUMN
(SEE TABLE)

DEPTH (SEE TABLE)

O.A. HEIGHT	COLUMN PIPE (F _y = 35ksi)	DEPTH OF FOOTING	
		ROUND	WBE
25'-0"	20φ x .219	10'-6"	8'-0"
30'-0"	20φ x .239	11'-0"	8'-6"
35'-0"	20φ x .281	12'-0"	9'-0"
40'-0"	20φ x .344	12'-6"	9'-6"
45'-0"	20φ x .406	13'-0"	9'-6"
20'-0"	20φ x .188	10'-0"	8'-0"

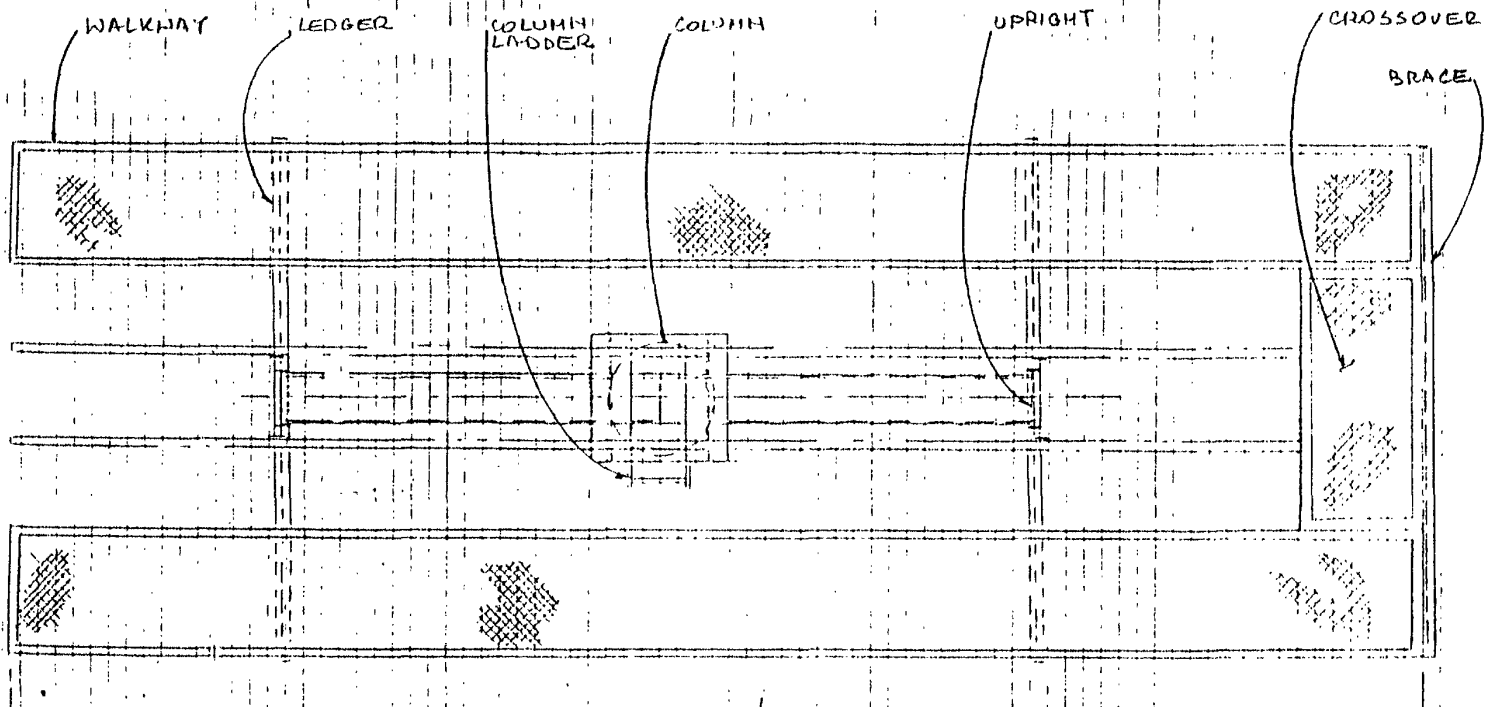
CONCRETE
WBE FTG

6'-0"

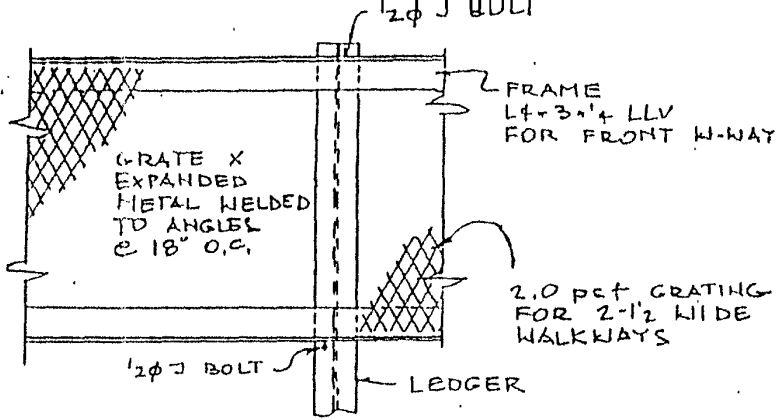
ALTERNATE WBE FOOTING

3'-0" DIA

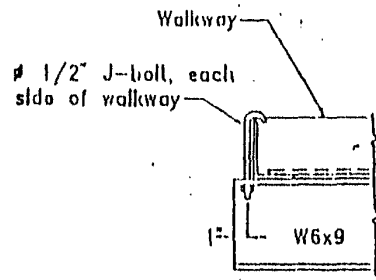
9'-7"



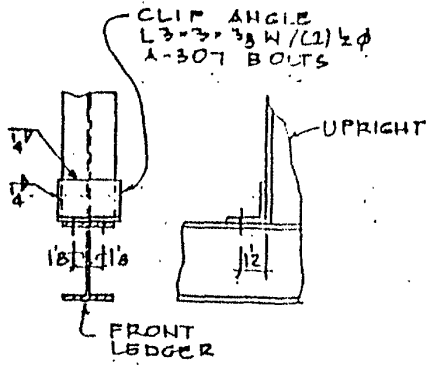
03UR013



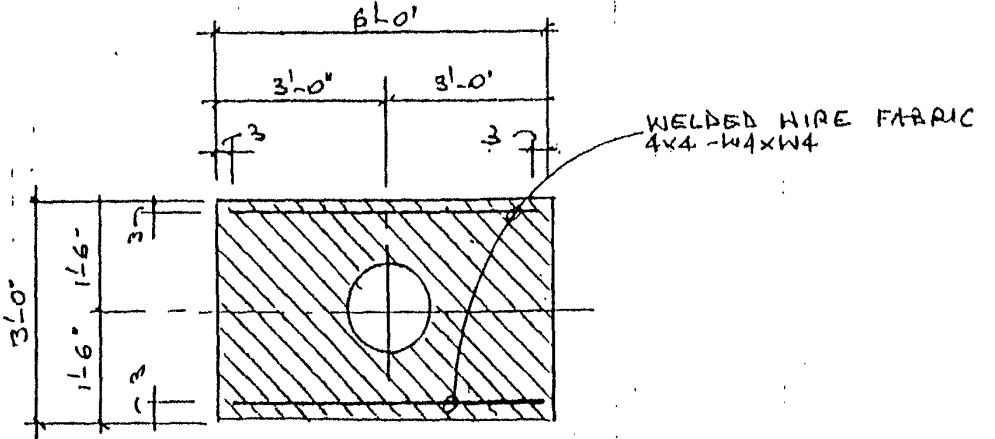
TYPICAL WALKWAY DETAIL



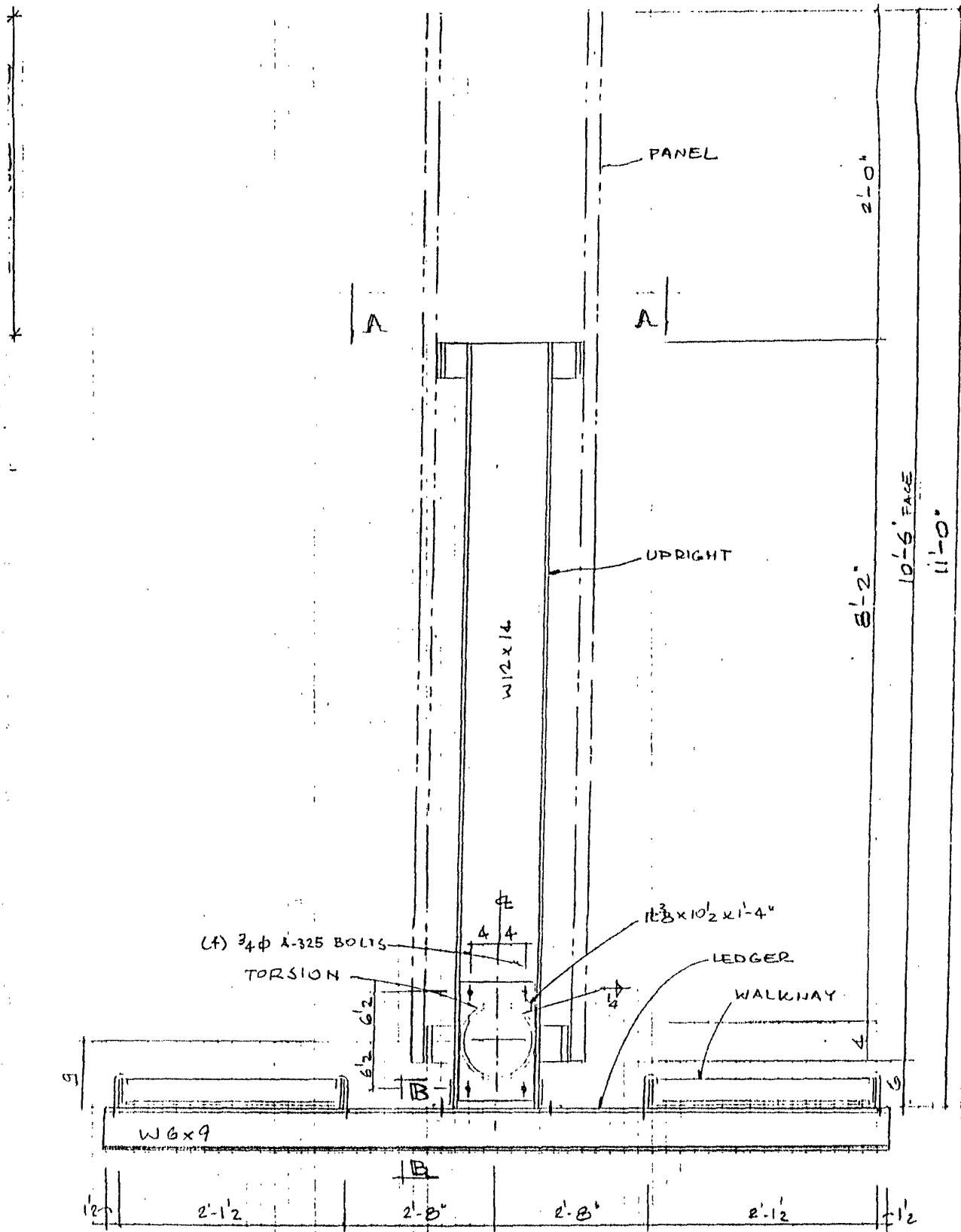
WALKWAY-LEDGER CONNECTION



SECTION B-B



SECTION C-C



TYPICAL SECTION THRU SIGN

11
 10
 9
 8
 7
 6
 5
 4
 3
 2
 1