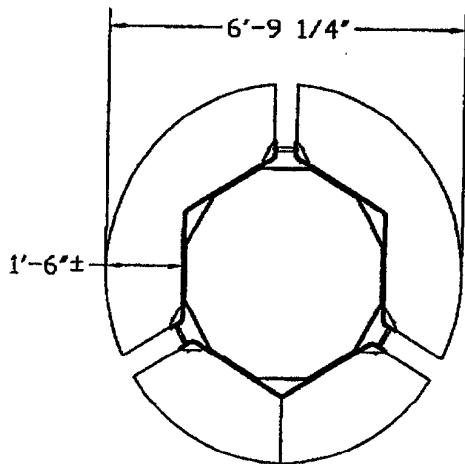
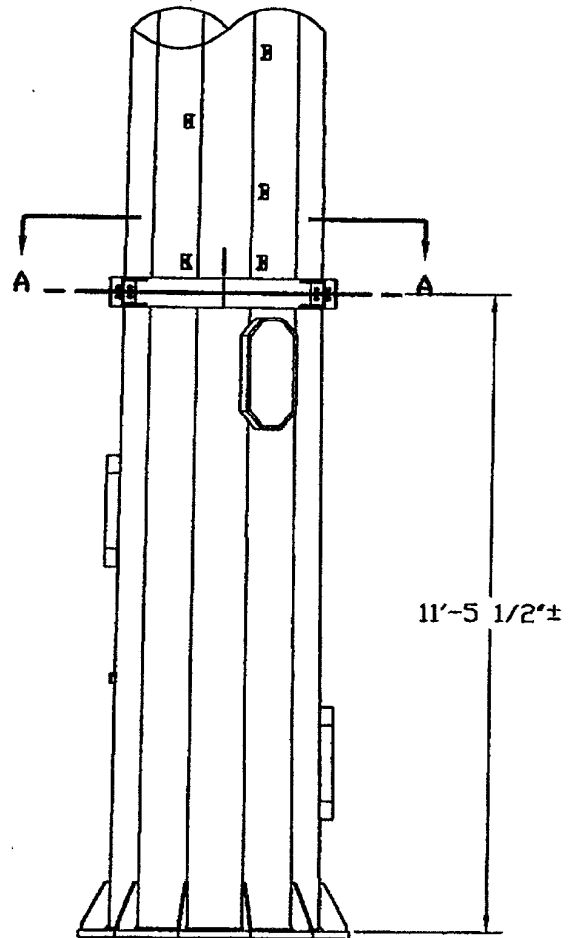


02SR028



**SECTION A-A**



**ELEVATION VIEW**

SITE: RAPID CITY, SD

<b>ANTI-CLIMB DEVICE</b>	
EHRESMANN ENGINEERING, INC. CONSULTING ENGINEERS 4400 WEST 31st STREET YANKTON, S.D. 57078 (605) 665-7532 (605) 665-9780	DATE: 04/22/03
	BY: TSP
	CHECKED:
J.D. 57390	DWG.#57390F01 SHT 1 OF