

RUNDELL ERNSTBERGER ASSOCIATES, LLC
 Land Planning + Urban Design + Landscape Architecture
 611 W Main Street, Suite 201, Louisville, KY 40202
 TE [502] 561.8676 FX [502] 561.9076
 E-mail: re@louisville.dresite.com
 www.reasite.com

additional offices in:
 Indianapolis, IN | Muncie, IN

PREPARED FOR:

City of Rapid City
 Public Works Department
 300 Sixth Street, Rapid City, SD 57701
 TE [605] 394-4165 FX [605] 355-3083

Destination Rapid City
 606 Main Street, Rapid City, SD 57701
 TE [605] 716-7979 FX [605] 341-6415

CONSULTANTS:

FourFront Design, Inc.
 Architecture and Civil Engineering
 517 Seventh Street
 Rapid City, SD 57701
 TE [605] 342-9470 FX [605] 342-2377

Skyline Engineering, LLC
 Electrical and Mechanical Engineering
 615 12th Street
 Rapid City, SD 57701
 TE [605] 737.3830 FX [605] 737.3859

Albertson Engineering, Inc.
 Structural Engineering
 3202 W Main Street, Suite C
 Rapid City, SD 57702
 TE [605] 343.9606 FX [605] 341.7395

PROJECT:

**Main Street Square
 Site Development
 Rapid City, South Dakota**

REVISIONS:			
NO.	BY	DESCRIPTION	DATE
—	REA	100% CONSTRUCTION DRAWINGS REVIEW SET	9/08/10

COPYRIGHT NOTICE:
 THE CONCEPTS, IDEAS, DESIGNS, PLANS, AND DETAILS AS SHOWN ON THIS DOCUMENT ARE THE SOLE PROPERTY OF RUNDELL ERNSTBERGER ASSOCIATES, LLC AND WERE CREATED, DEVELOPED, AND PRESENTED FOR USE ON THIS SPECIFIC PROJECT. NONE OF THE CONCEPTS, IDEAS, DESIGNS, PLANS, AND DETAILS SHALL BE USED BY ANY PERSON, FIRM, OR CORPORATION FOR ANY PURPOSE WHATSOEVER, WITHOUT THE EXPRESSED WRITTEN CONSENT OF RUNDELL ERNSTBERGER ASSOCIATES, LLC. THE OWNER/CIENT SHALL BE PERMITTED TO RETAIN COPIES FOR INFORMATION AND REFERENCE IN CONNECTION WITH THIS PROJECT.

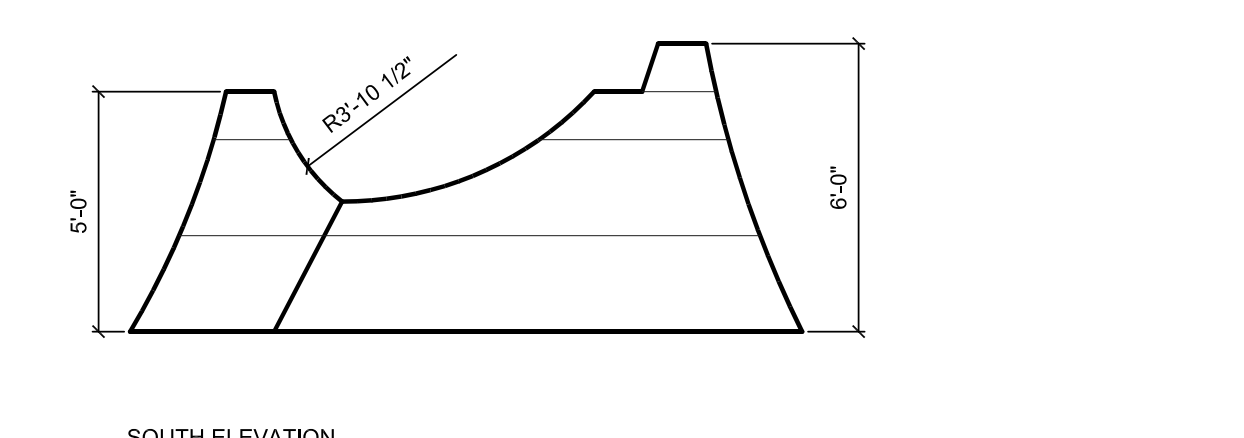
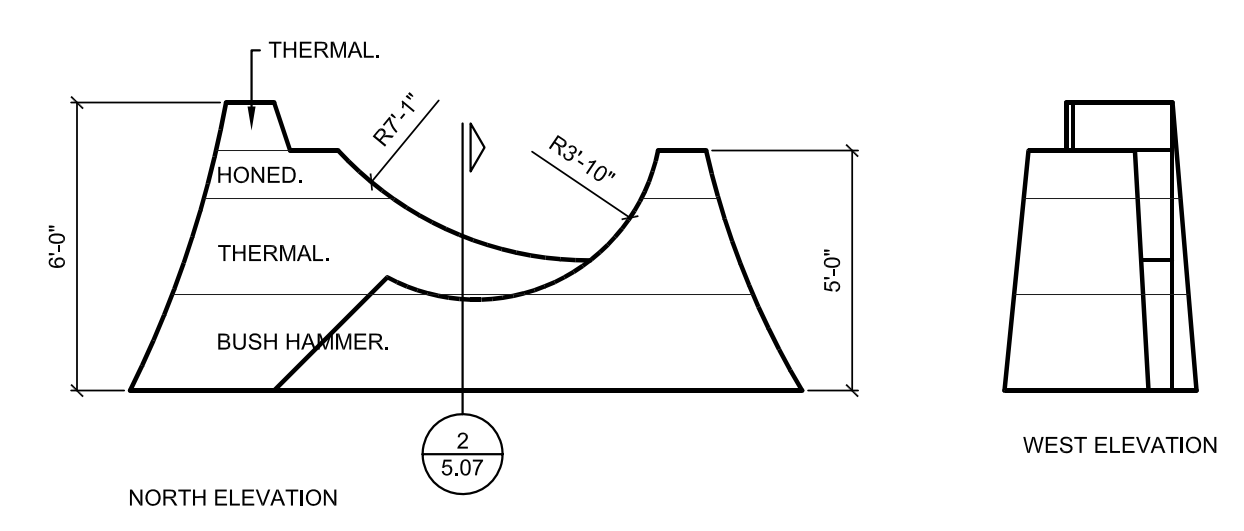
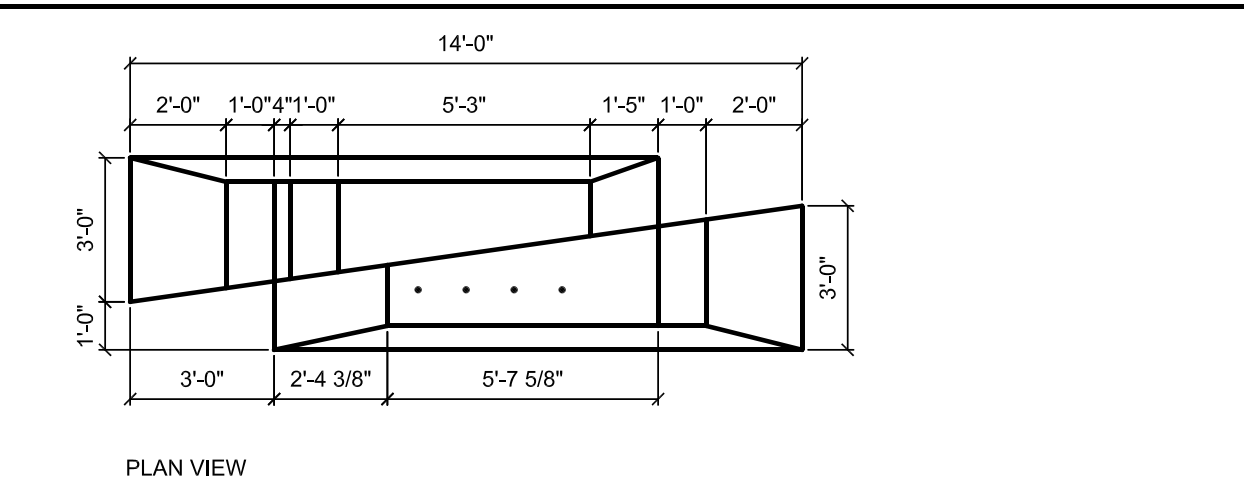
DRAWING NAME:

Badlands Stone Details

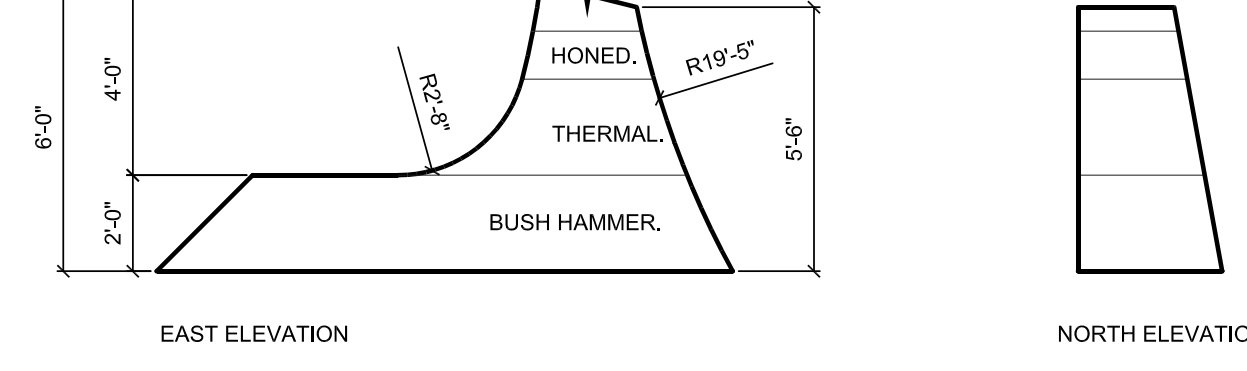
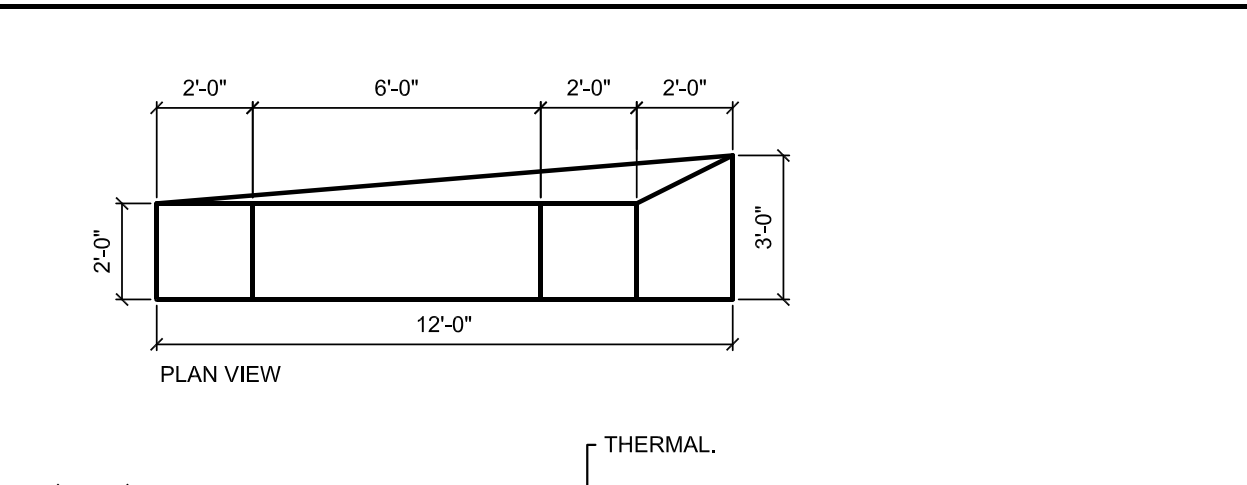
CERTIFICATION: City #: PR2010-1901
 Project No.: 091131
 Date: Sept. 8, 2010
 Drawn by: PMA
 Checked by: DDR
 File: 1131_SD5.2x.dwg

100% CDs OWNER REVIEW SET
 DRAWING #:

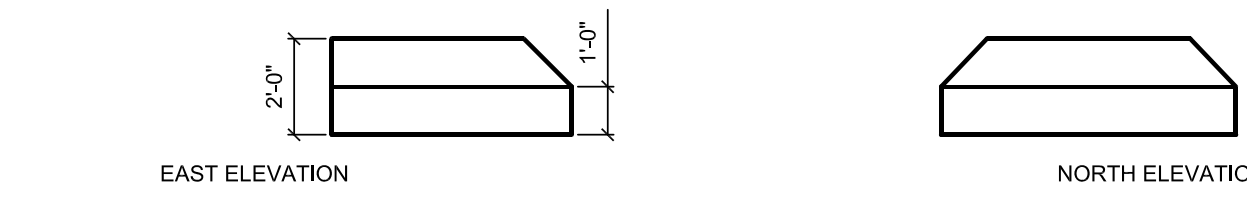
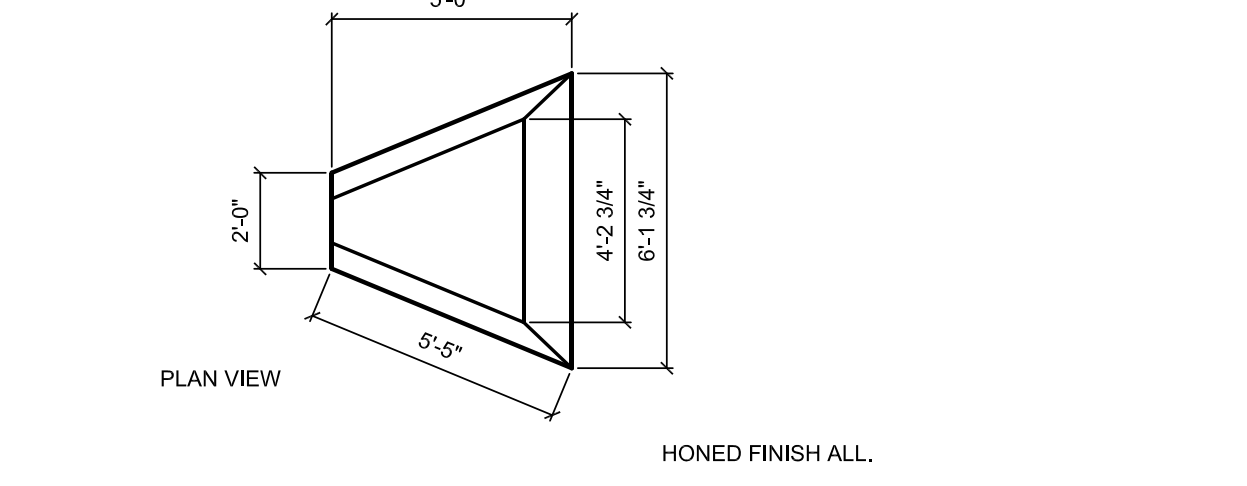
SD 5.35



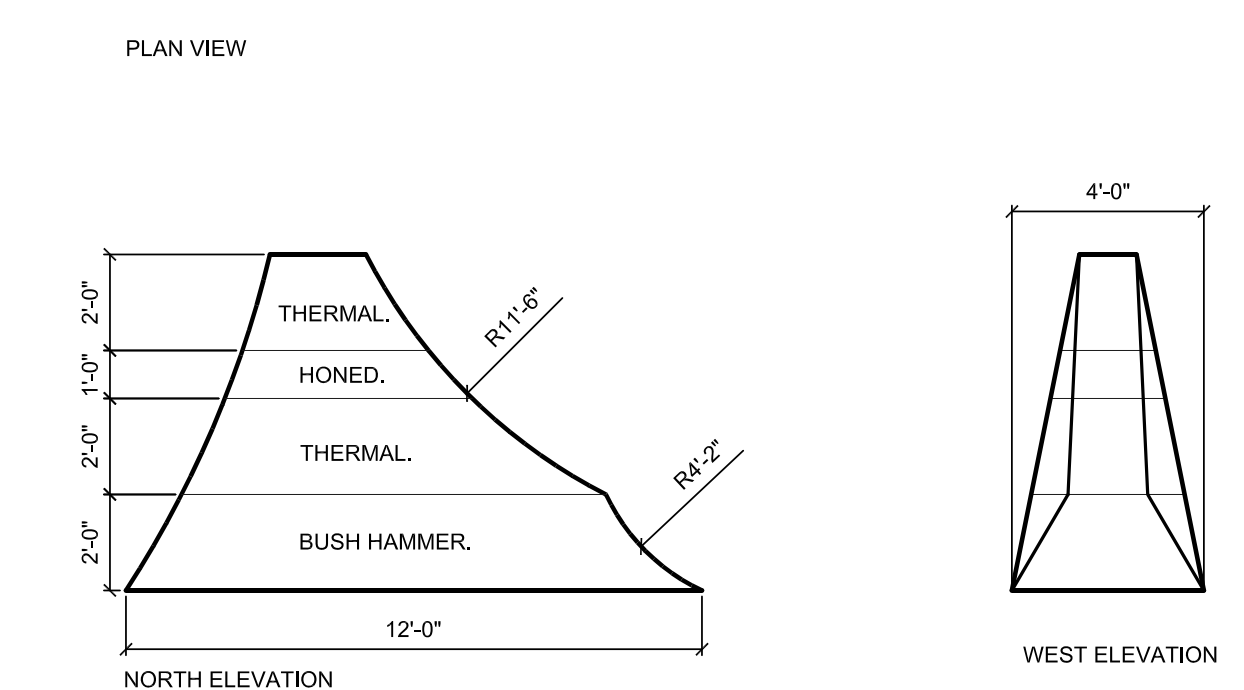
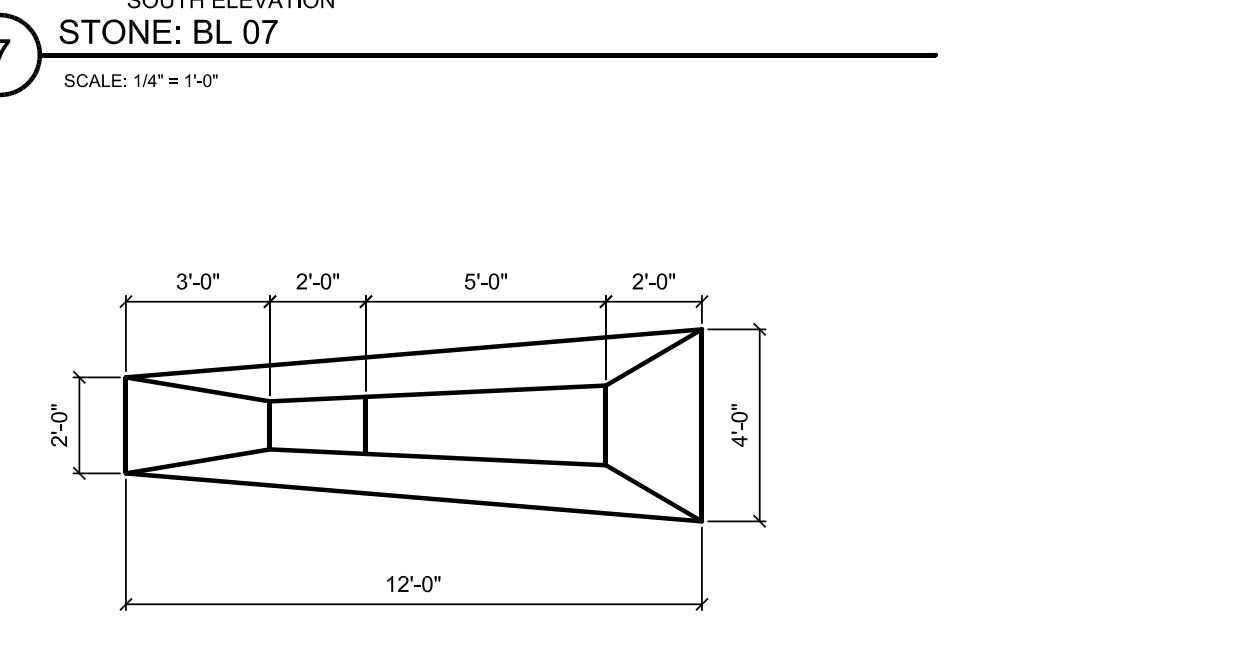
1 **STONE: BL 01**
 SCALE: 1/4" = 1'-0"



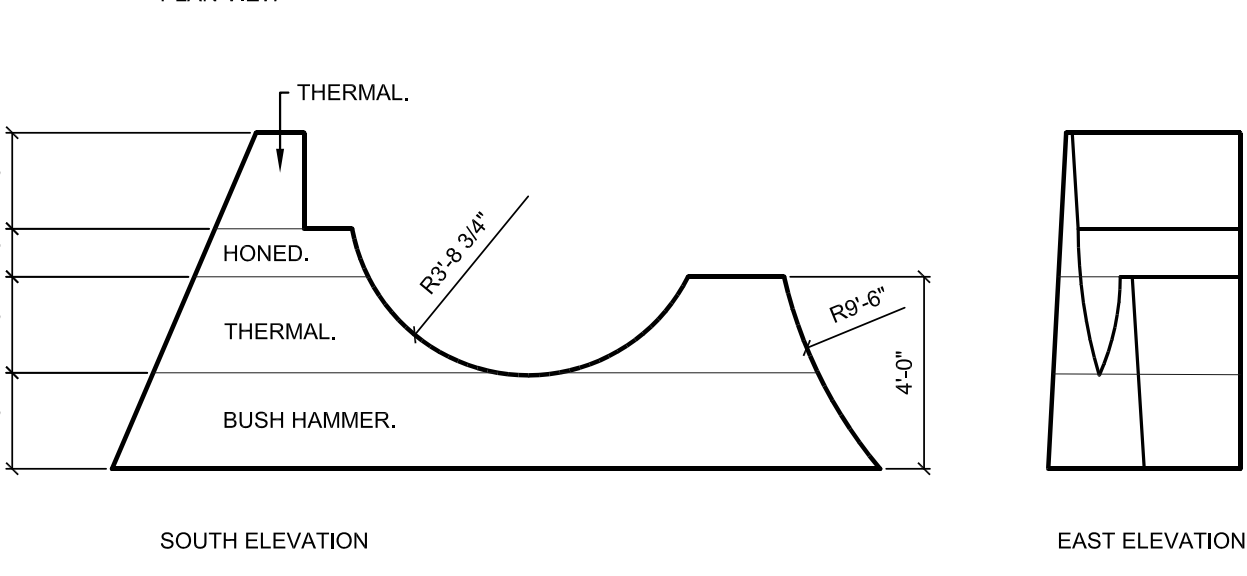
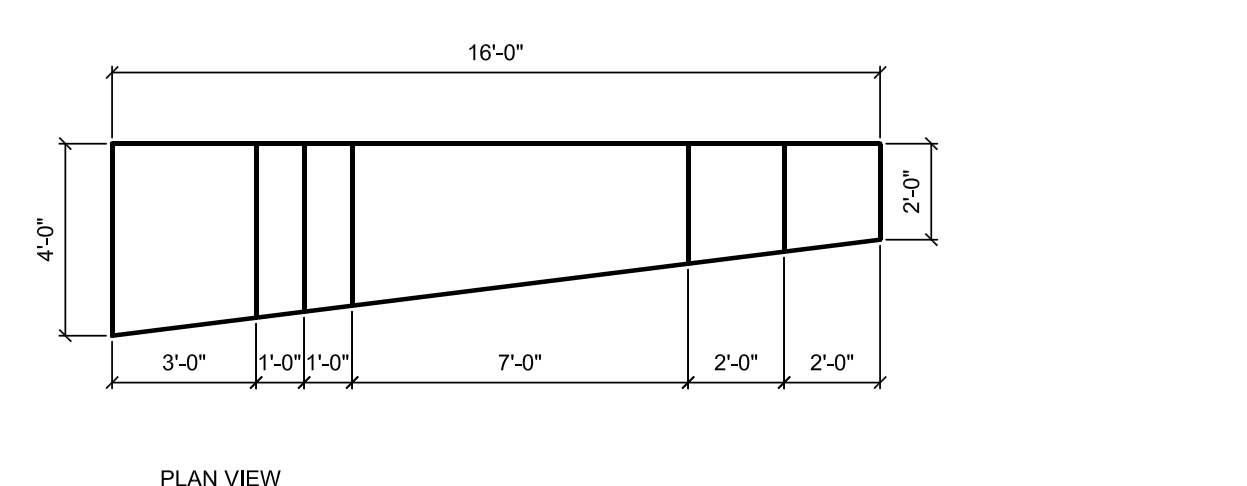
4 **STONE: BL 04**
 SCALE: 1/4" = 1'-0"



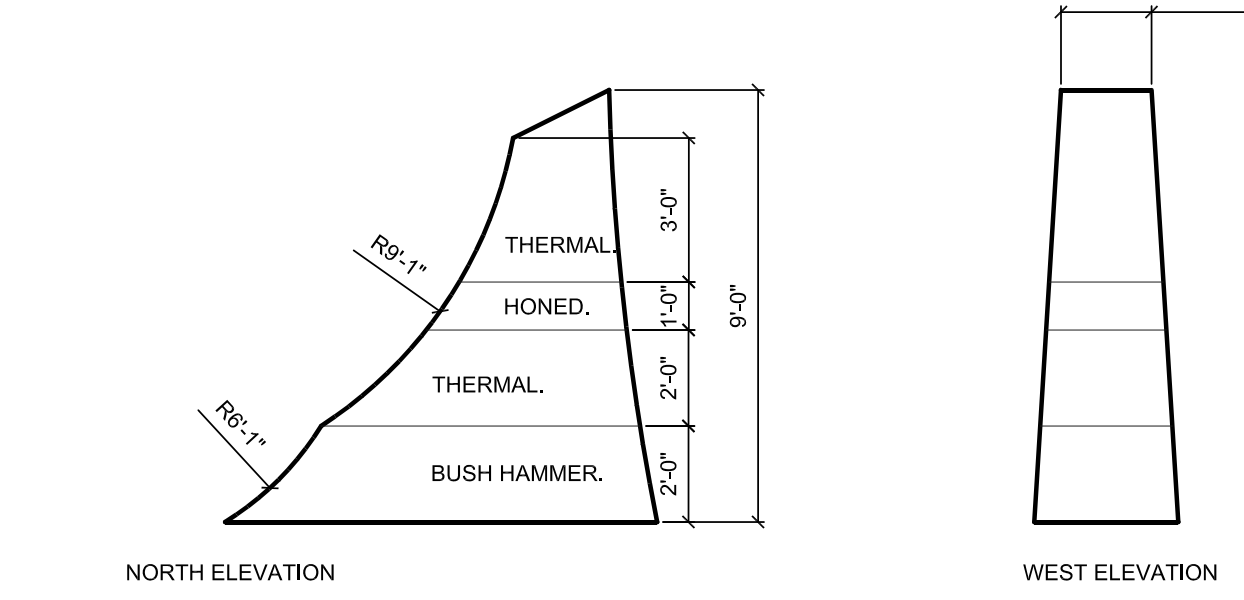
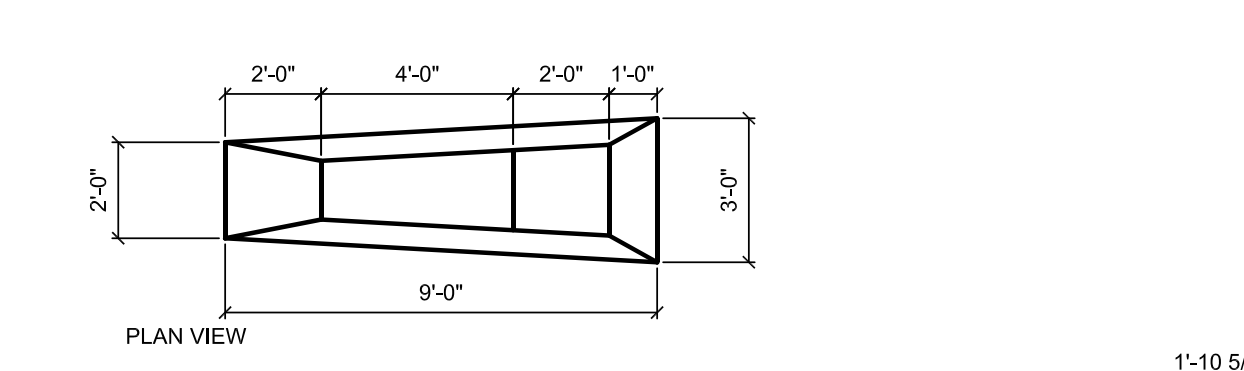
5 **STONE: BL 05**
 SCALE: 1/4" = 1'-0"



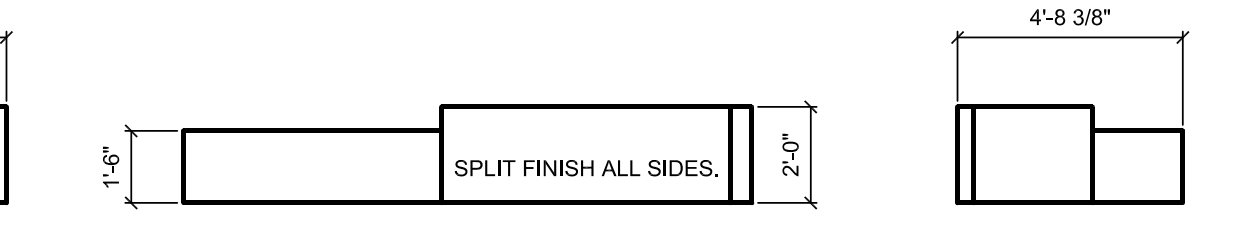
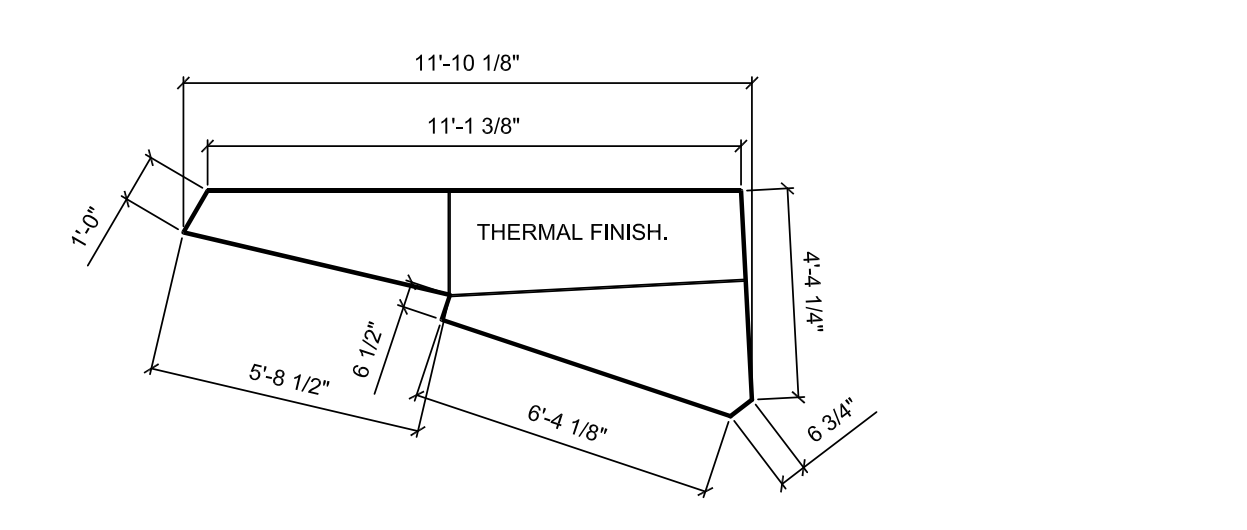
7 **STONE: BL 07**
 SCALE: 1/4" = 1'-0"



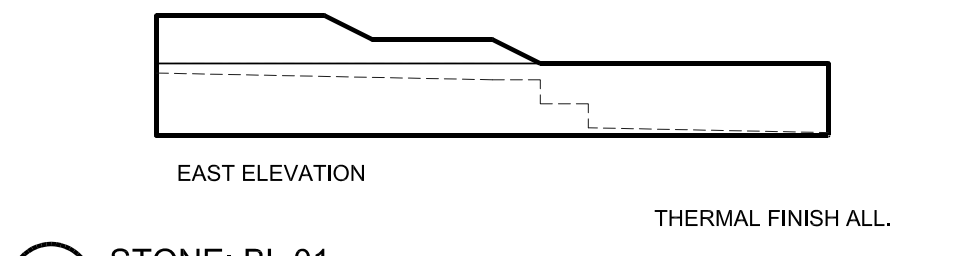
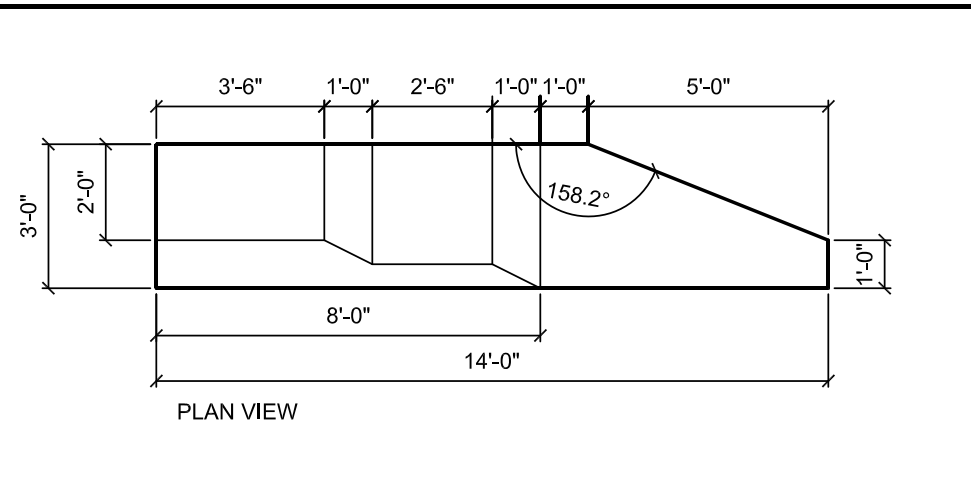
6 **STONE: BL 06**
 SCALE: 1/4" = 1'-0"



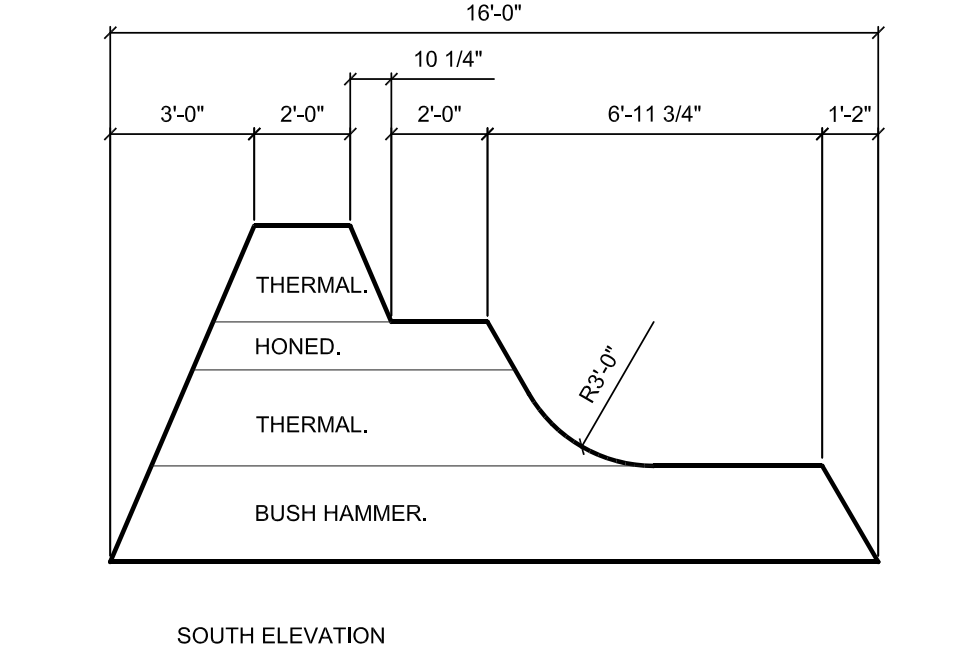
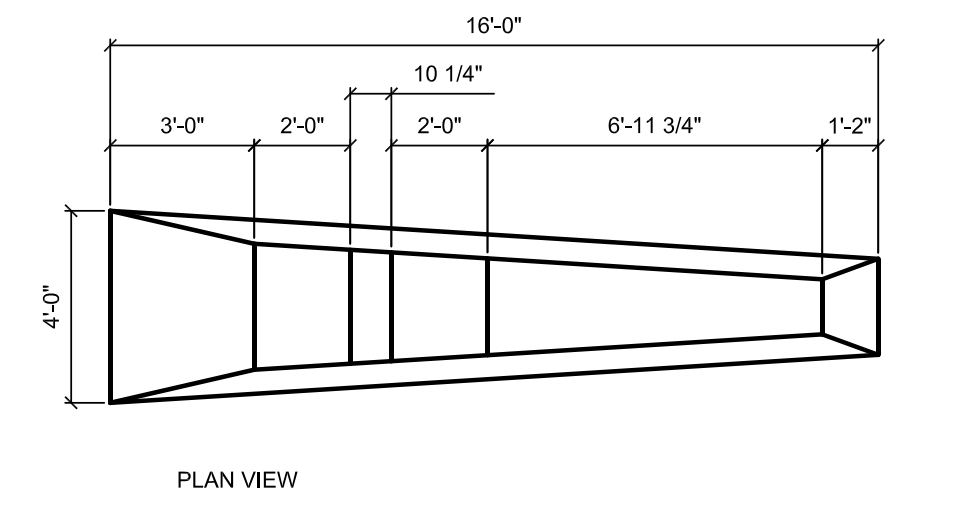
8 **STONE: BL 08**
 SCALE: 1/4" = 1'-0"



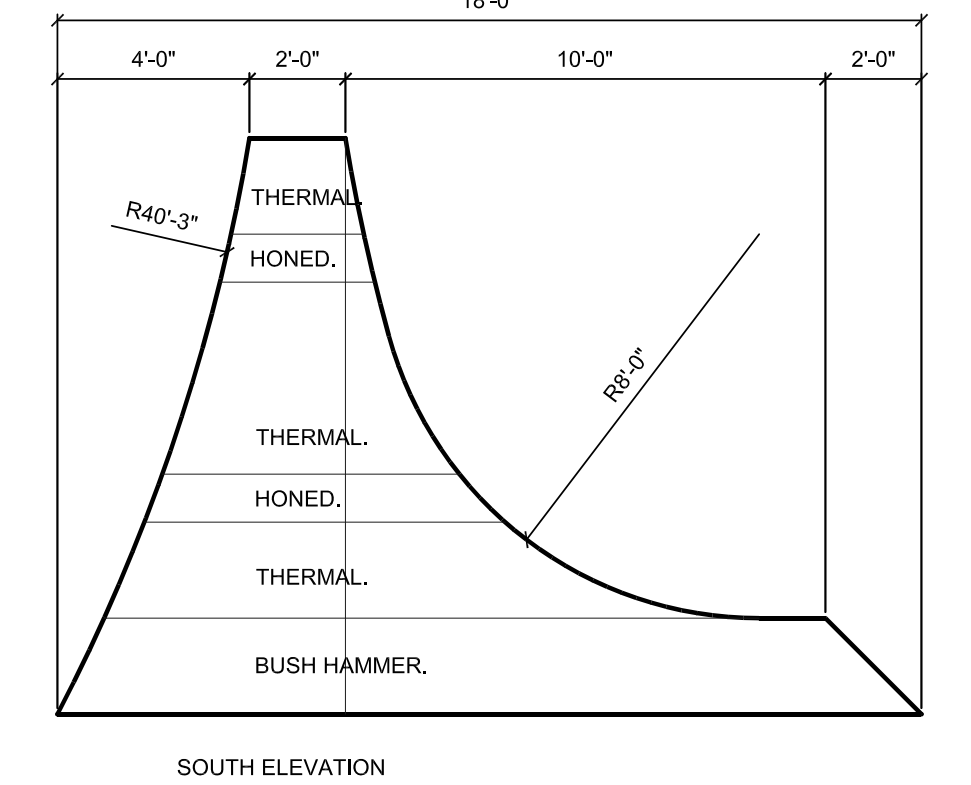
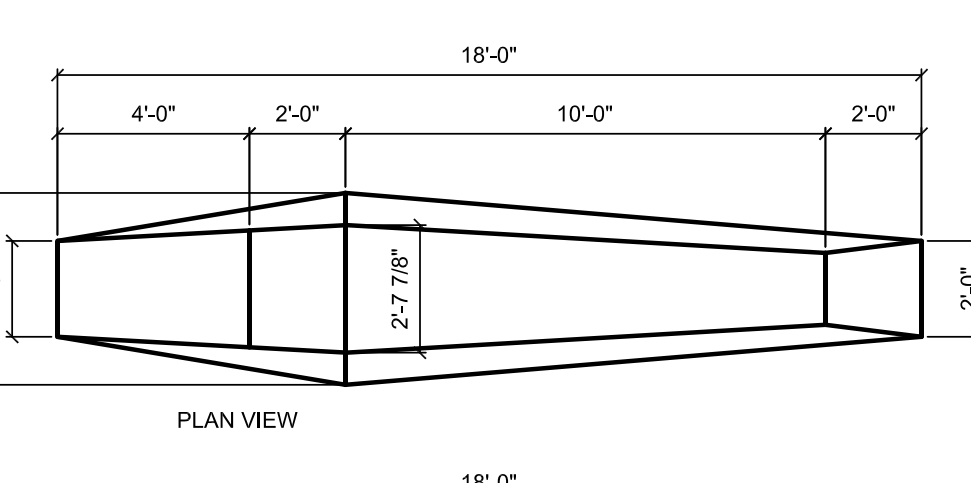
10 **STONE: CF 01**
 SCALE: 1/4" = 1'-0"



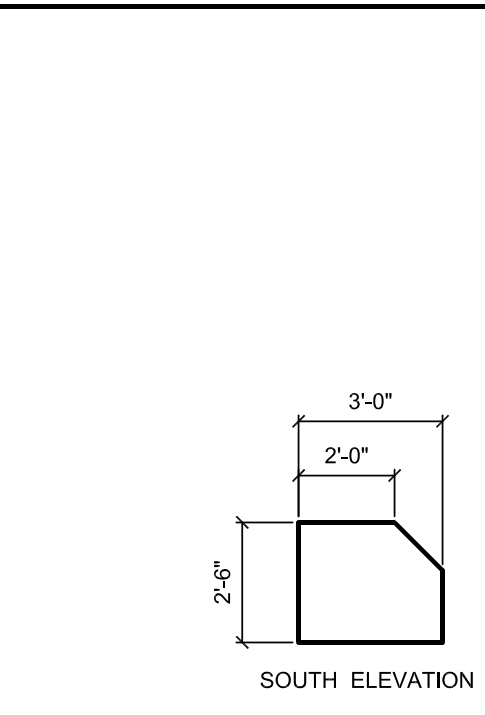
2 **STONE: BL 02**
 SCALE: 1/4" = 1'-0"



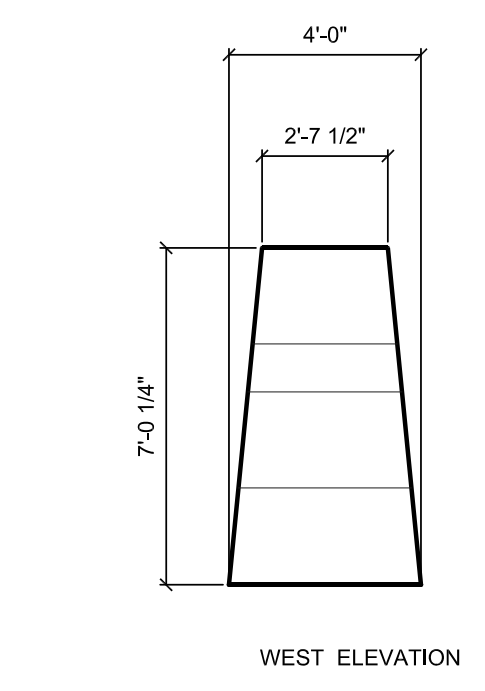
3 **STONE: BL 03**
 SCALE: 1/4" = 1'-0"



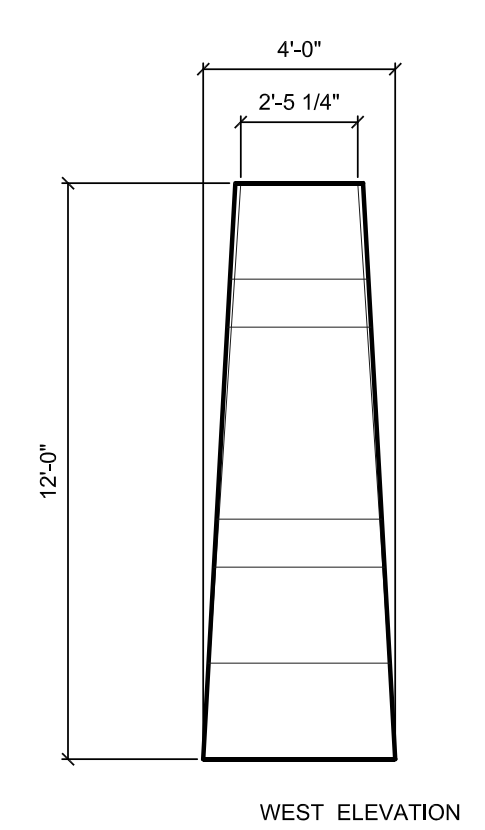
3 **STONE: BL 03**
 SCALE: 1/4" = 1'-0"



1 **STONE: BL 01**
 SCALE: 1/4" = 1'-0"



2 **STONE: BL 02**
 SCALE: 1/4" = 1'-0"



3 **STONE: BL 03**
 SCALE: 1/4" = 1'-0"

10 **STONE: CF 01**
 SCALE: 1/4" = 1'-0"

9 **STONE: BL 09**
 SCALE: 1/4" = 1'-0"