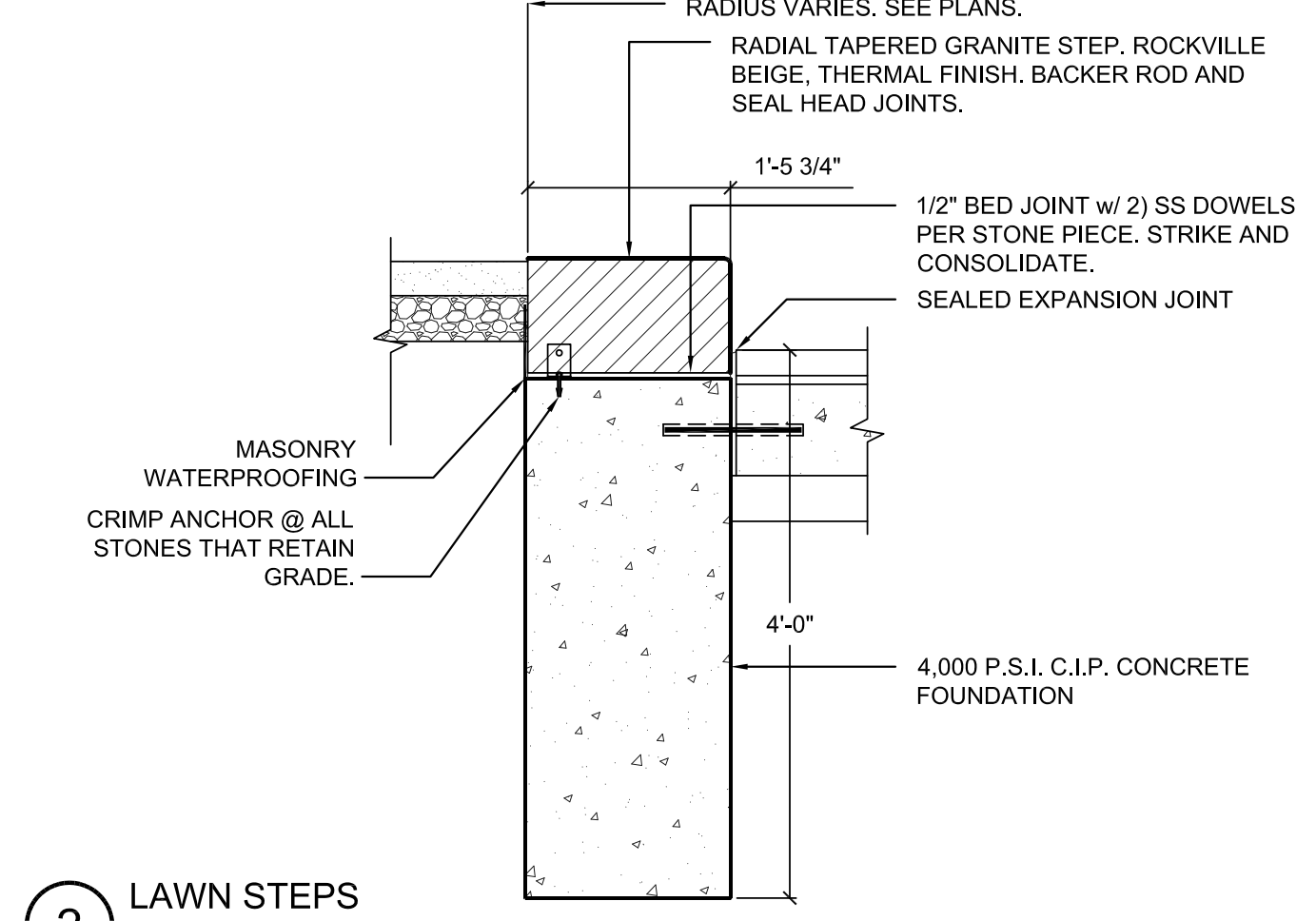
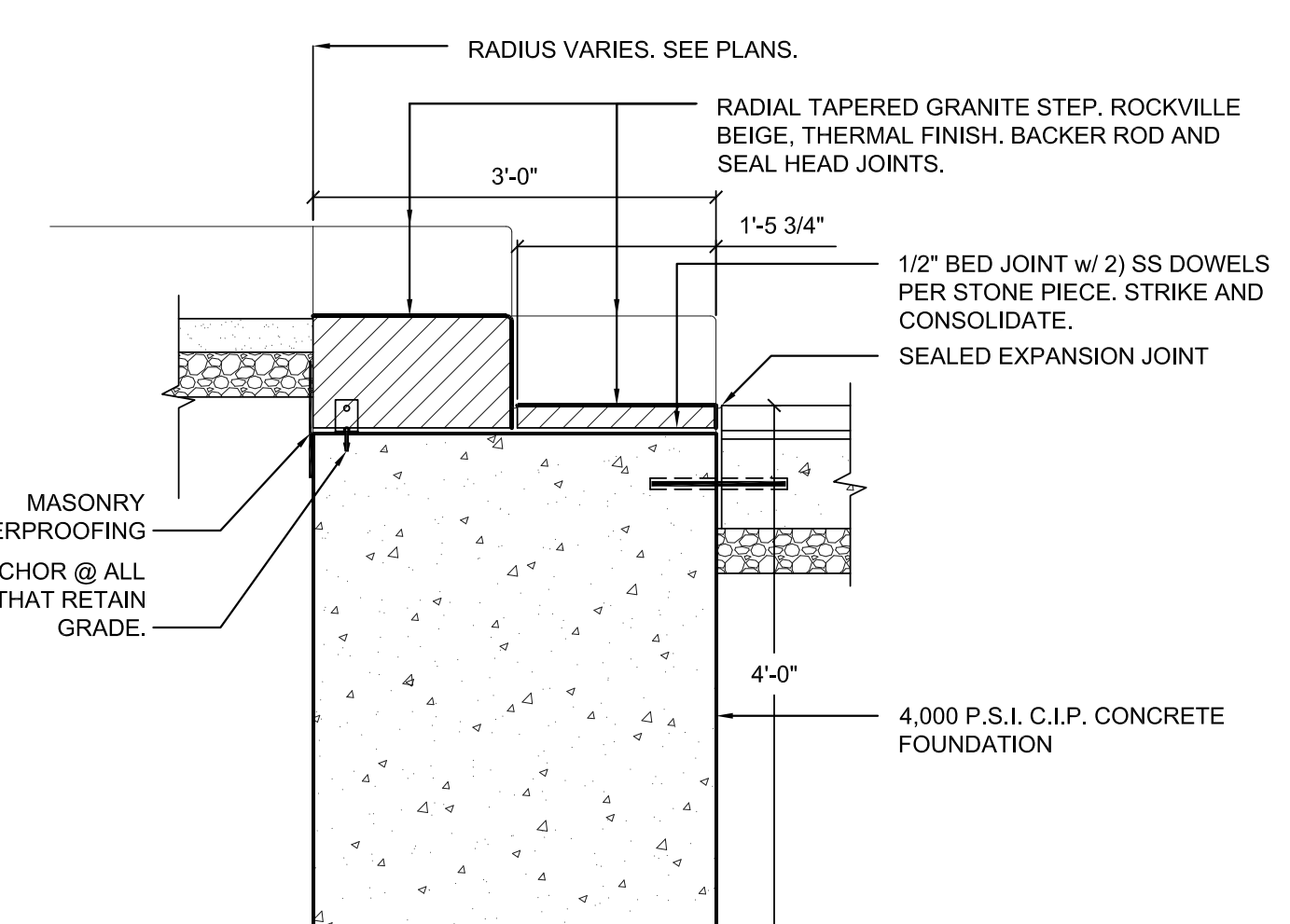


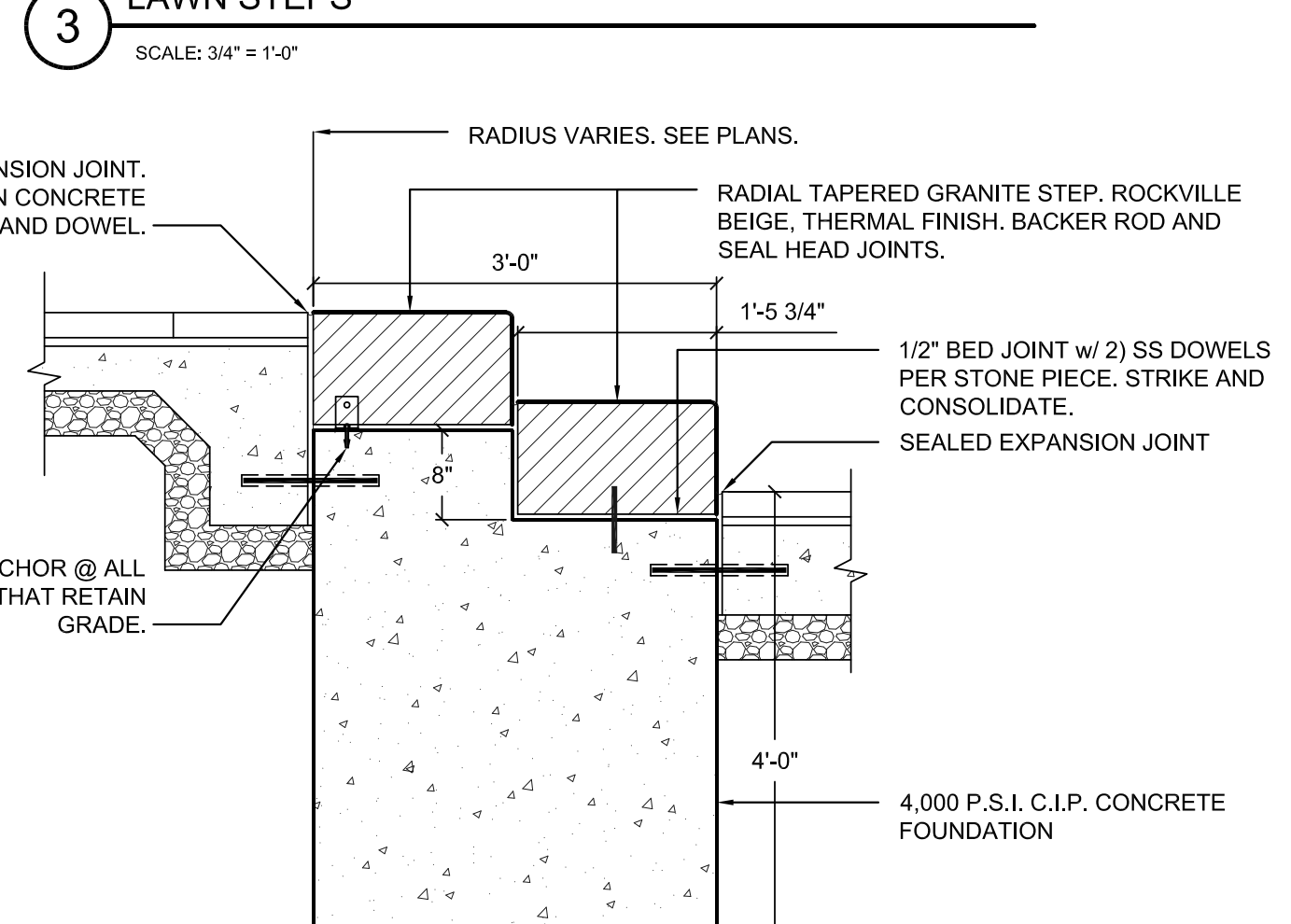
1 LAWN STEPS
SCALE: 3/4" = 1'-0"



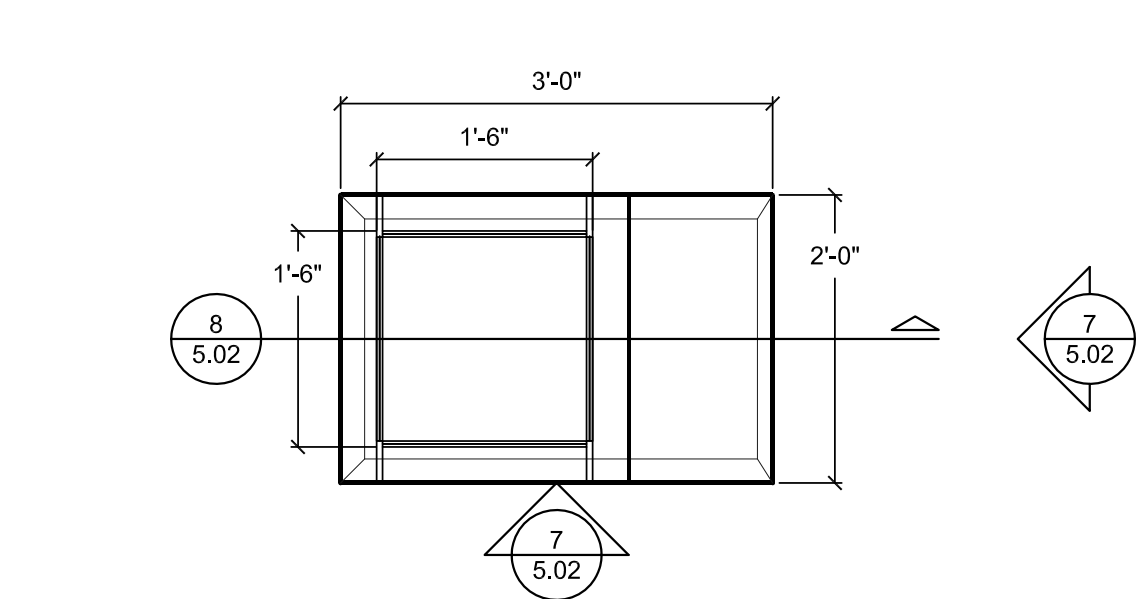
2 LAWN STEPS
SCALE: 3/4" = 1'-0"



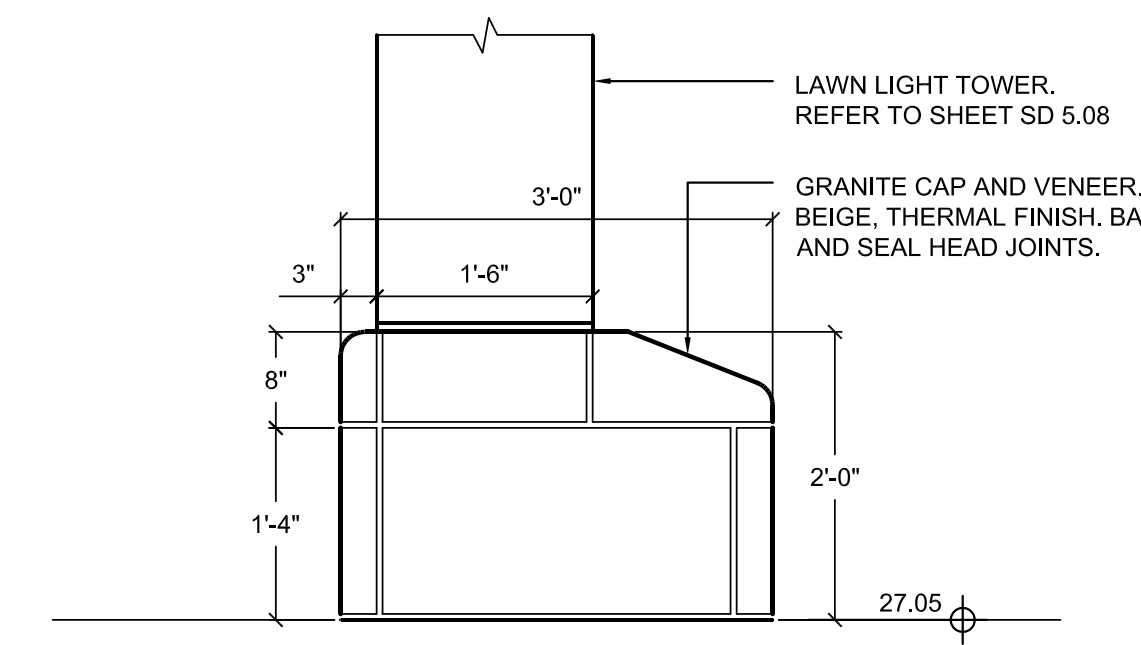
3 LAWN STEPS
SCALE: 3/4" = 1'-0"



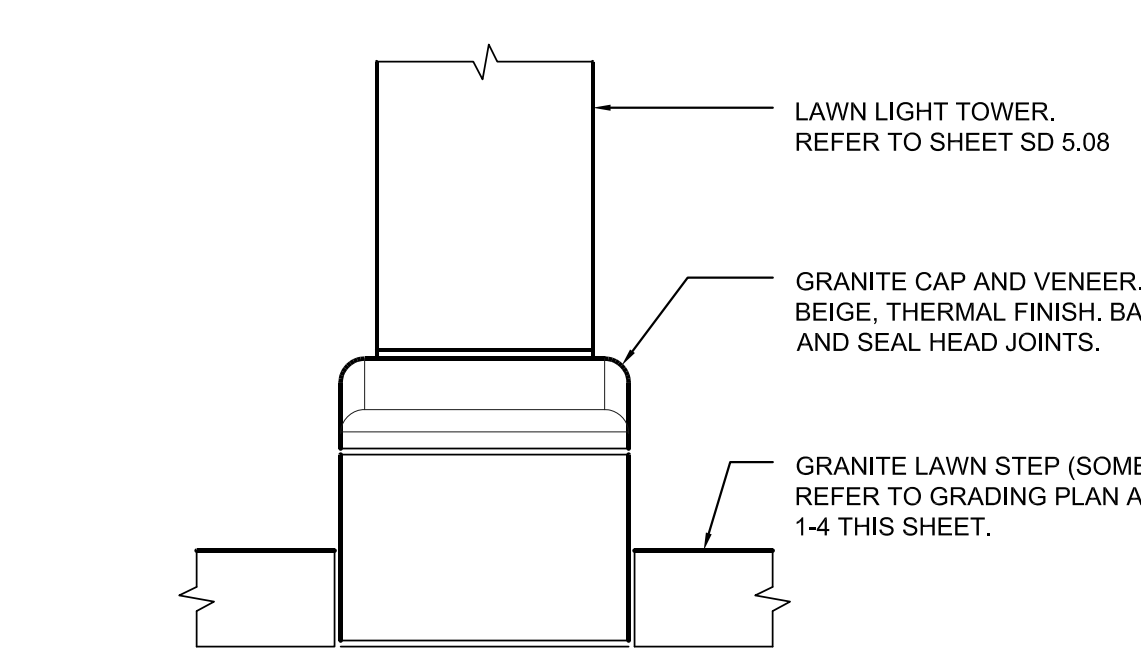
4 LAWN STEPS SECTION D
SCALE: 3/4" = 1'-0"



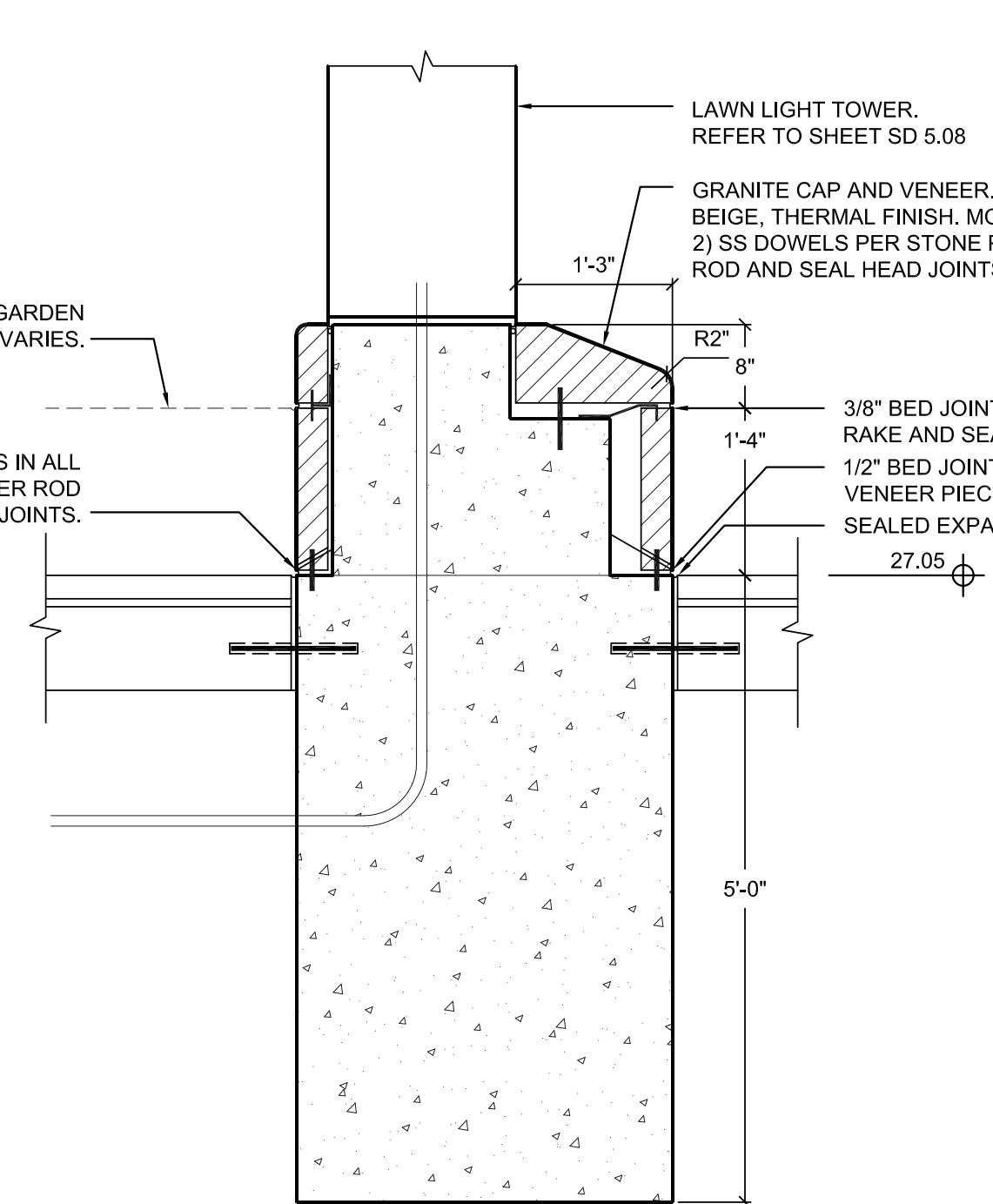
5 LAWN LIGHT TOWER BASE PLAN
SCALE: 3/4" = 1'-0"



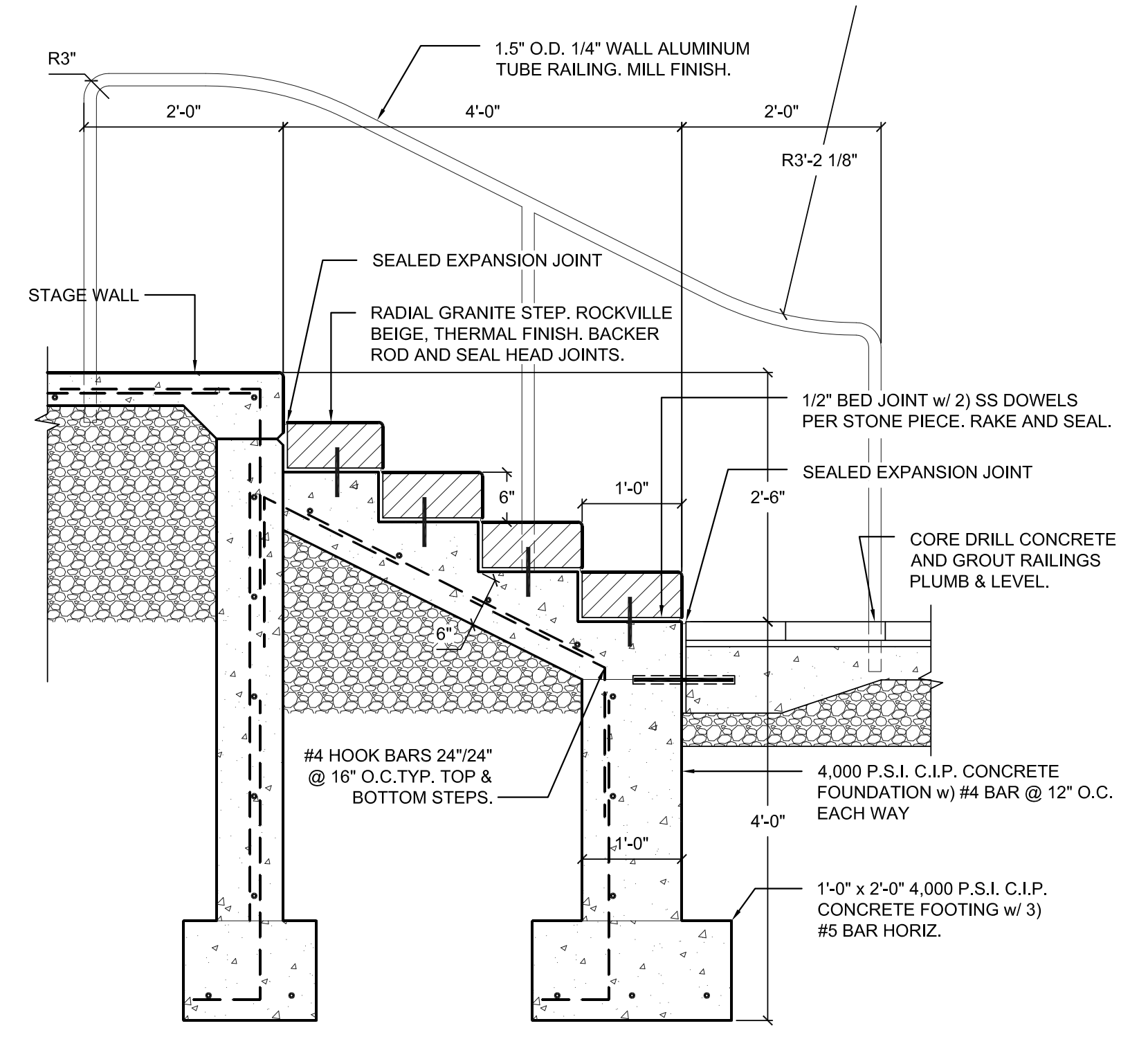
6 LAWN LIGHT TOWER BASE SIDE ELEVATION
SCALE: 3/4" = 1'-0"



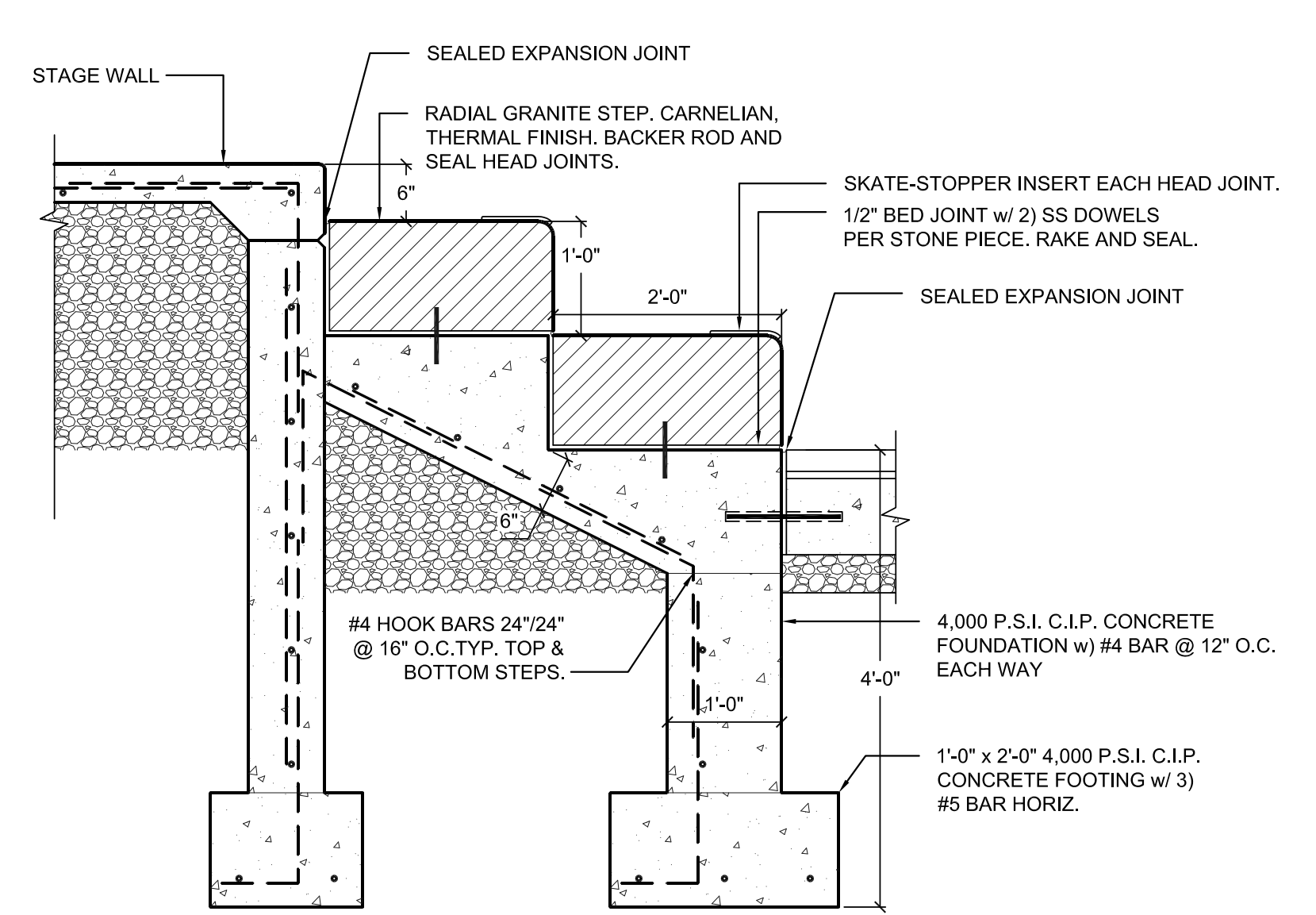
7 LAWN LIGHT TOWER BASE LAWN ELEVATION
SCALE: 3/4" = 1'-0"



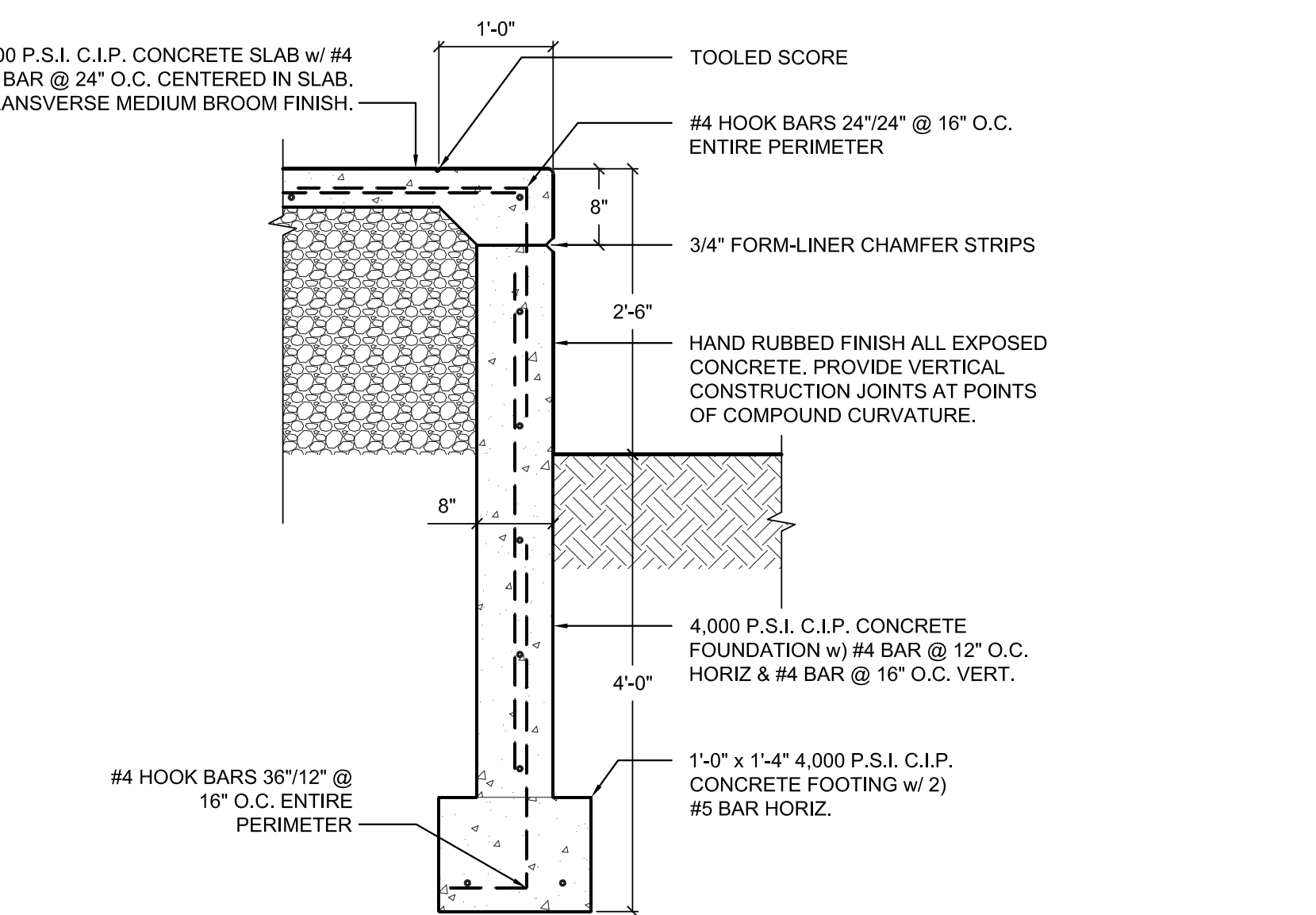
8 LAWN LIGHT TOWER BASE SECTION
SCALE: 3/4" = 1'-0"



9 STAGE STEPS
SCALE: 3/4" = 1'-0"



10 STAGE LEDGE
SCALE: 3/4" = 1'-0"



11 STAGE WALL
SCALE: 3/4" = 1'-0"

RUNDELL ERNSTBERGER ASSOCIATES, LLC
 Land Planning + Urban Design + Landscape Architecture
 611 W Main Street, Suite 201, Louisville, KY 40202
 TE (502) 561.8676 FX (502) 561.9076
 E-mail: rearlouisville@reassite.com www.reassite.com

additional offices in:
 Indianapolis, IN | Muncie, IN

PREPARED FOR:
City of Rapid City
 Public Works Department
 300 Sixth Street, Rapid City, SD 57701
 TE (605) 394-4165 FX (605) 355-3083

Destination Rapid City
 606 Main Street, Rapid City, SD 57701
 TE (605) 716-7979 FX (605) 341-6415

CONSULTANTS:
FourFront Design, Inc.
 Architecture and Civil Engineering
 517 Seventh Street
 Rapid City, SD 57701
 TE (605) 342-9470 FX (605) 342-2377

Skyline Engineering, LLC
 Electrical and Mechanical Engineering
 615 12th Street
 Rapid City, SD 57701
 TE (605) 737.3830 FX (605) 737.3859

Albertson Engineering, Inc.
 Structural Engineering
 3202 W Main Street, Suite C
 Rapid City, SD 57702
 TE (605) 343.9606 FX (605) 341.7395

PROJECT:
**Main Street Square
 Site Development
 Rapid City, South Dakota**

REVISIONS:			
NO.	BY	DESCRIPTION	DATE
1	REA	100% CONSTRUCTION DRAWINGS REVIEW SET	9/08/10

COPYRIGHT NOTICE:
 THE CONCEPTS, IDEAS, DESIGNS, PLANS, AND DETAILS AS SHOWN ON THIS DOCUMENT ARE THE SOLE PROPERTY OF RUNDELL ERNSTBERGER ASSOCIATES, LLC AND WERE CREATED, DEVELOPED, AND PRESENTED FOR USE ON THIS SPECIFIC PROJECT. NONE OF THE CONCEPTS, IDEAS, DESIGNS, PLANS, AND DETAILS SHALL BE USED BY ANY PERSON, FIRM, OR CORPORATION FOR ANY PURPOSE WHATSOEVER, WITHOUT THE EXPRESSED WRITTEN CONSENT OF RUNDELL ERNSTBERGER ASSOCIATES, LLC. THE OWNER/CUSTOMER SHALL BE PERMITTED TO RETAIN COPIES FOR INFORMATION AND REFERENCE IN CONNECTION WITH THIS PROJECT.

DRAWING NAME: Site Details	
CERTIFICATION: 100% CDs OWNER REVIEW SET	City #: Project No.: Date: Drawn by: Checked by: File: PR2010-1901 091131 Sept. 8, 2010 PMA DDR 1131_SD5.00.dwg

SD 5.02