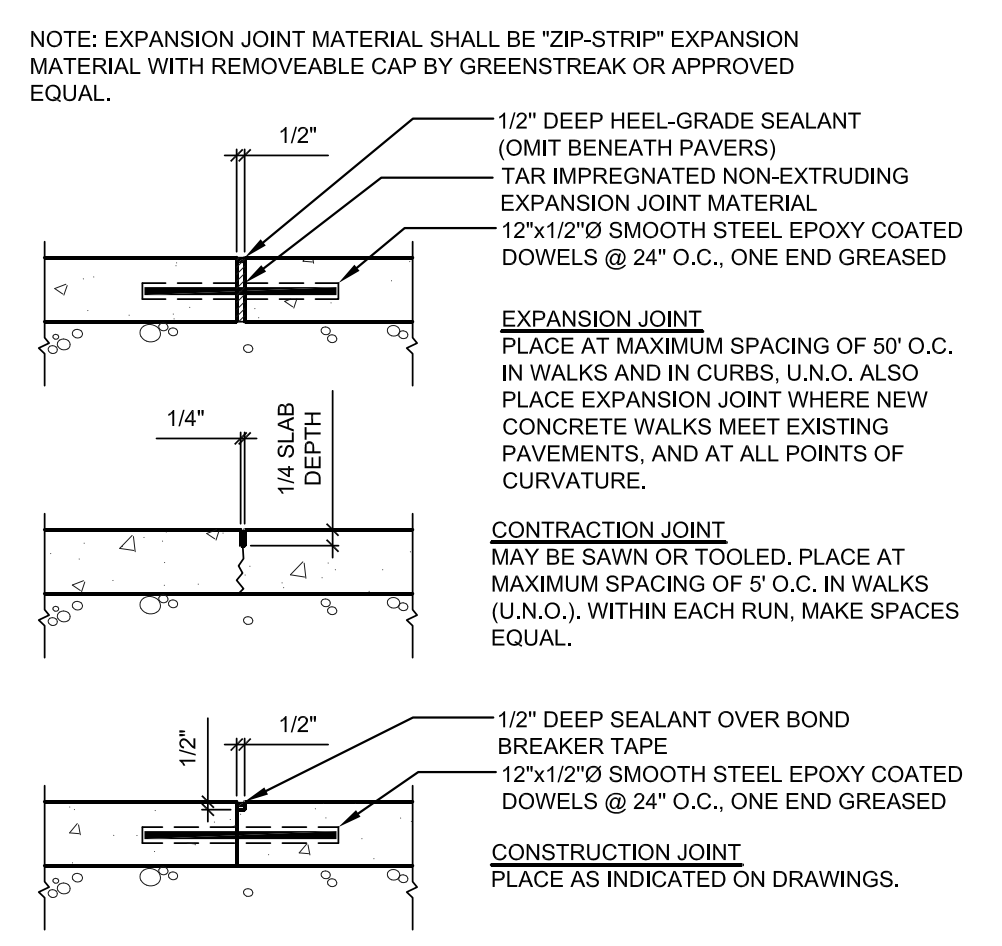
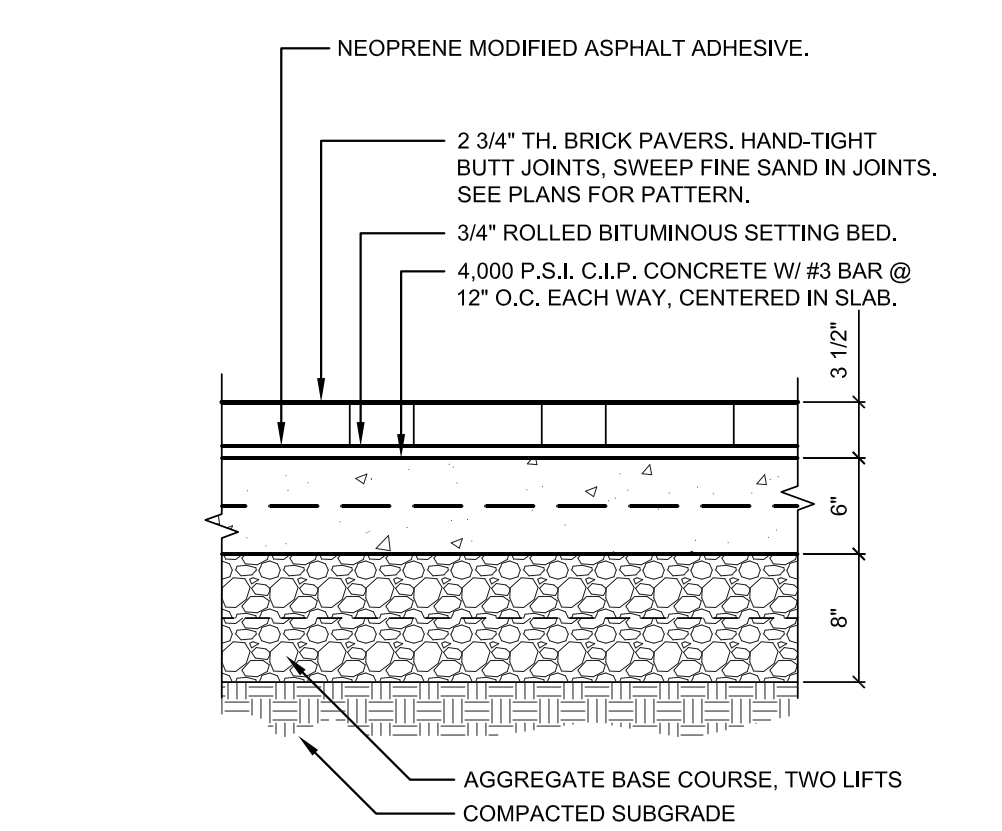


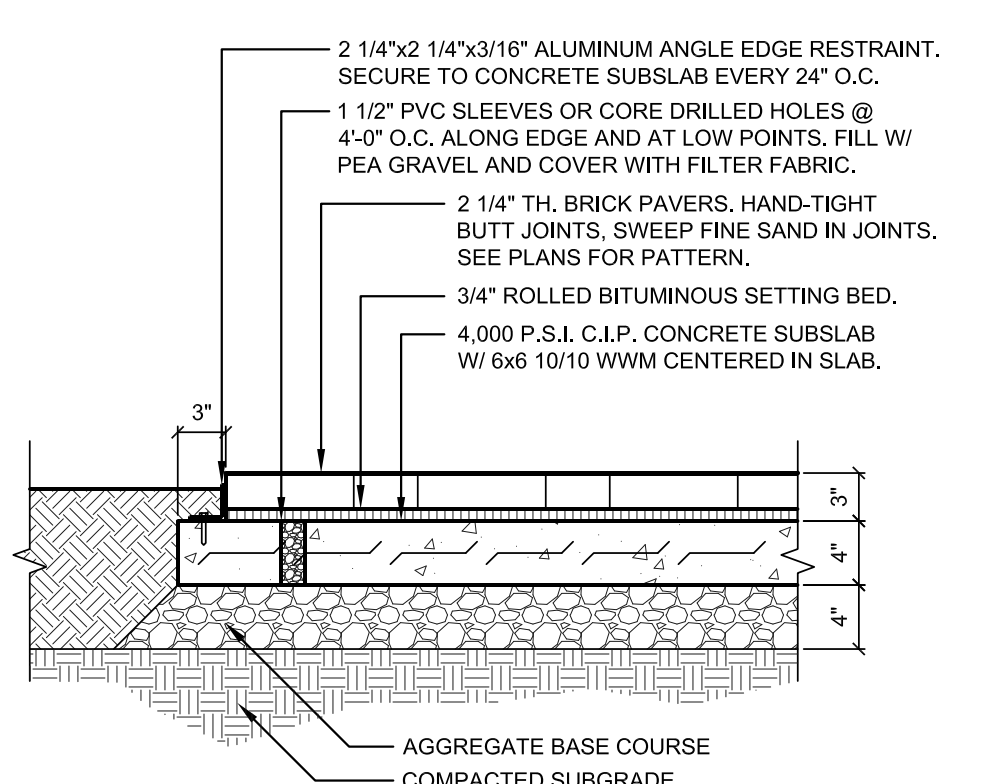
1 CONCRETE SIDEWALK PAVEMENT
SCALE: 1" = 1'-0"
REFER TO "CONCRETE JOINTING DETAIL", TYP.



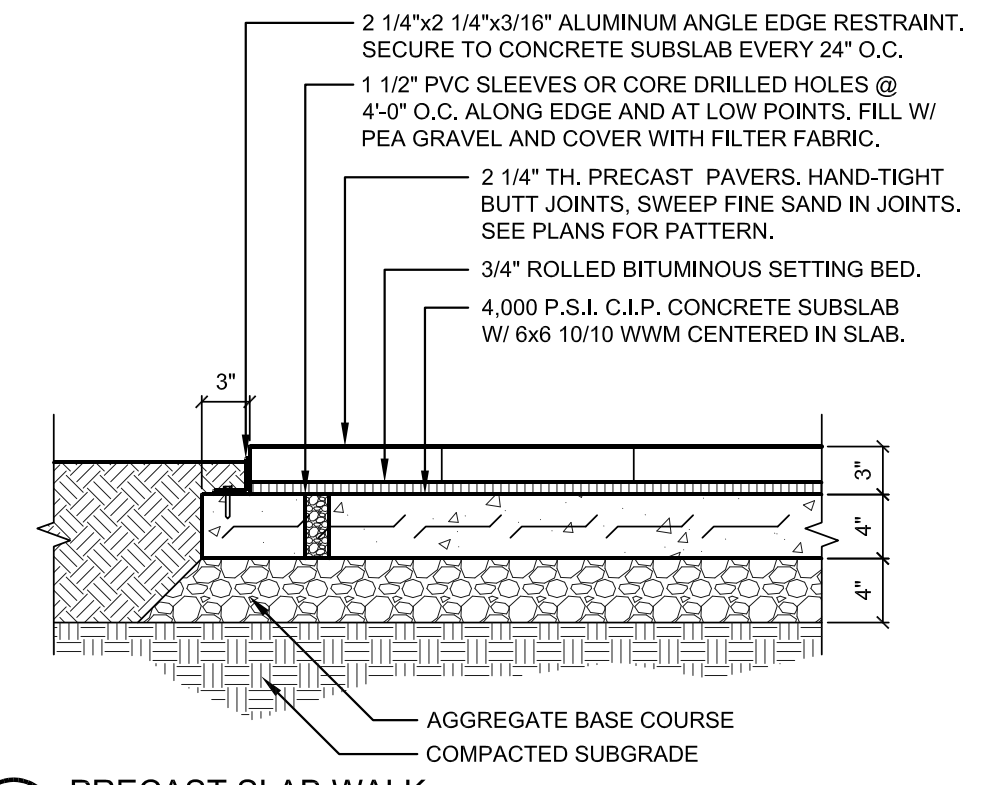
2 CONCRETE JOINTING DETAIL
SCALE: 1" = 1'-0"



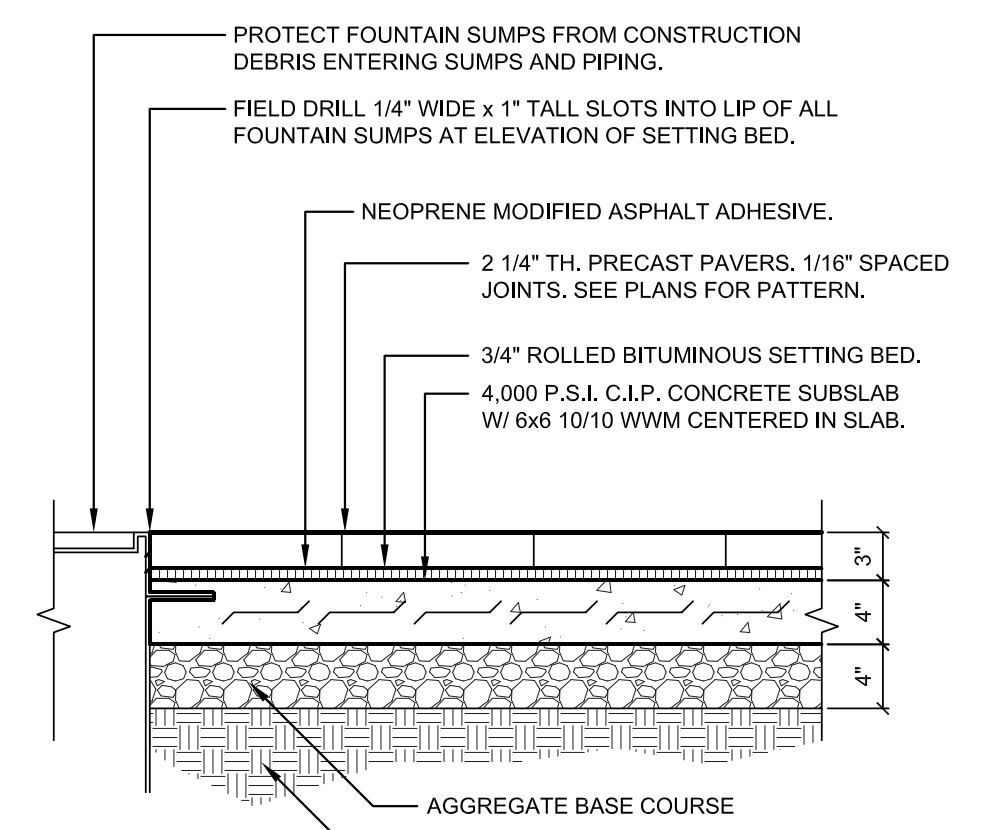
3 BRICK PAVEMENT, VEHICULAR
SCALE: 1" = 1'-0"
REFER TO "CONCRETE JOINTING DETAIL", TYP.



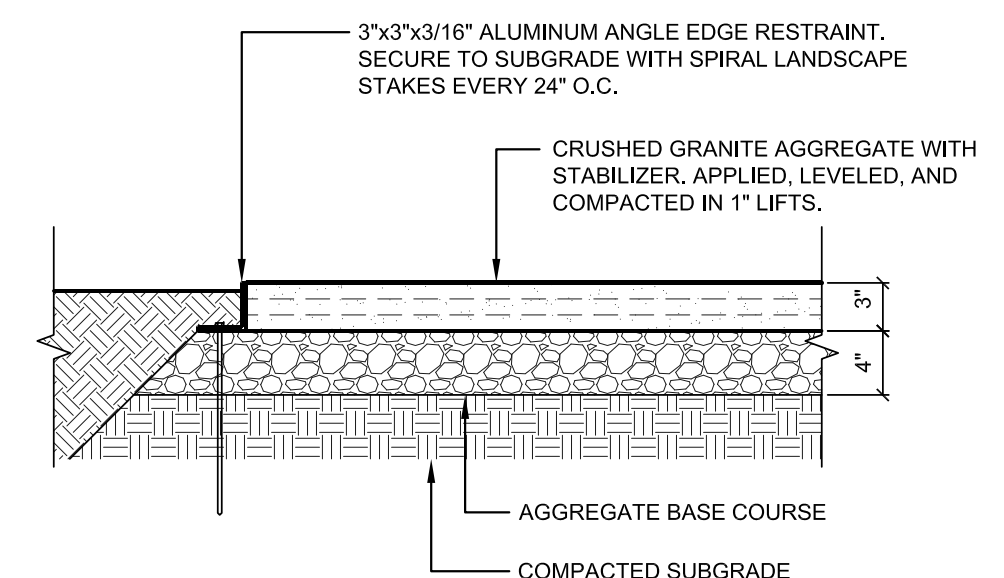
4 BRICK PAVER WALK
SCALE: 1" = 1'-0"
REFER TO "CONCRETE JOINTING DETAIL", TYP.



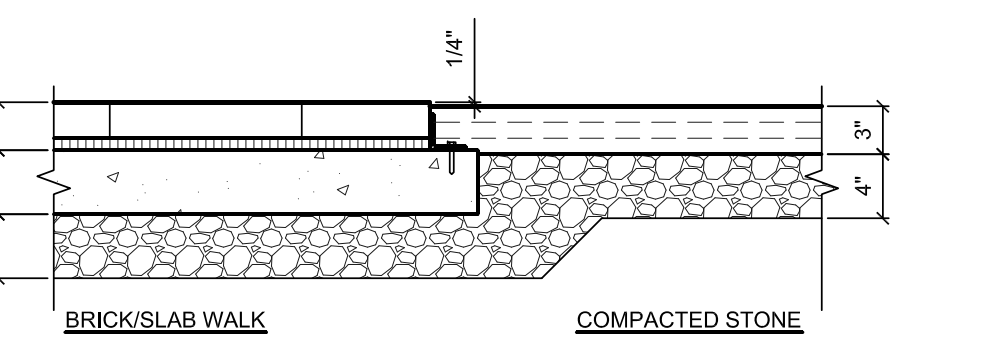
5 PRECAST SLAB WALK
SCALE: 1" = 1'-0"
REFER TO "CONCRETE JOINTING DETAIL", TYP.



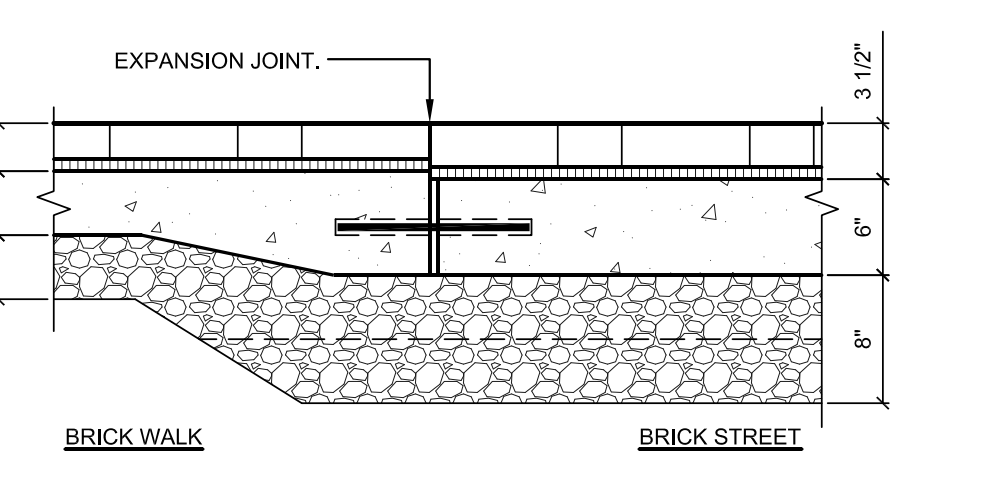
6 PRECAST SLABS AT INTERACTIVE FOUNTAIN
SCALE: 1" = 1'-0"
REFER TO "CONCRETE JOINTING DETAIL", TYP.



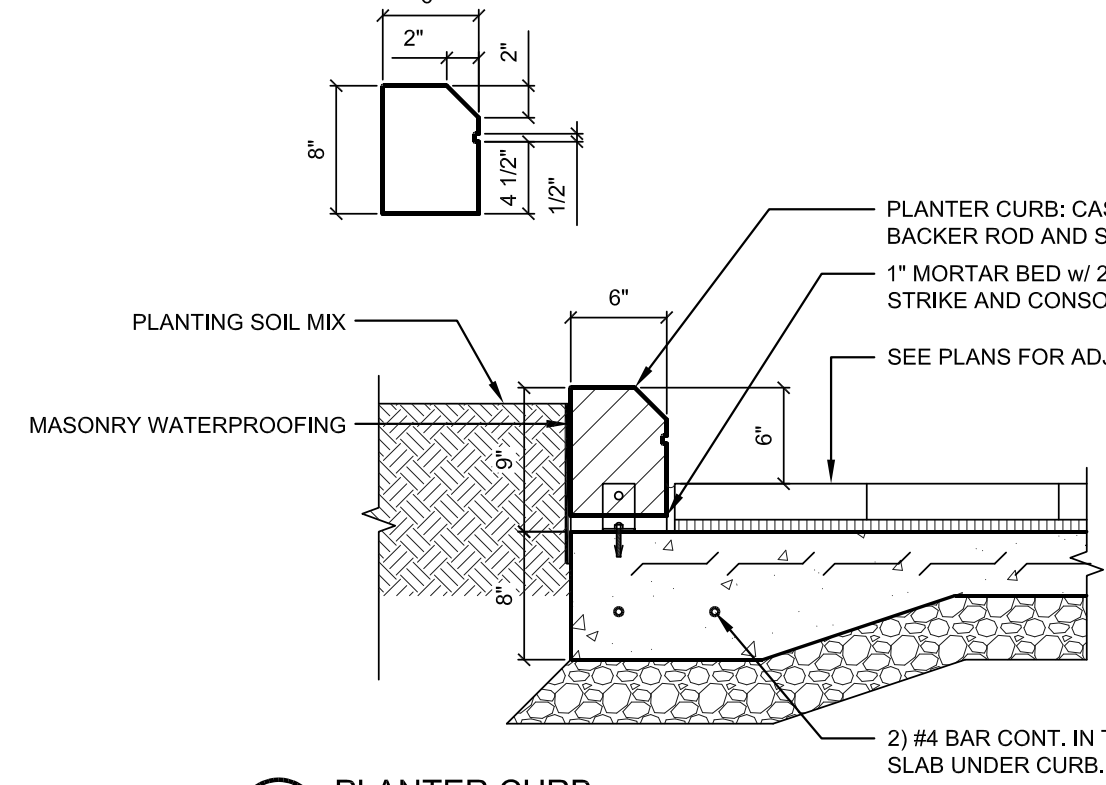
7 CRUSHED GRANITE PAVEMENT
SCALE: 1" = 1'-0"



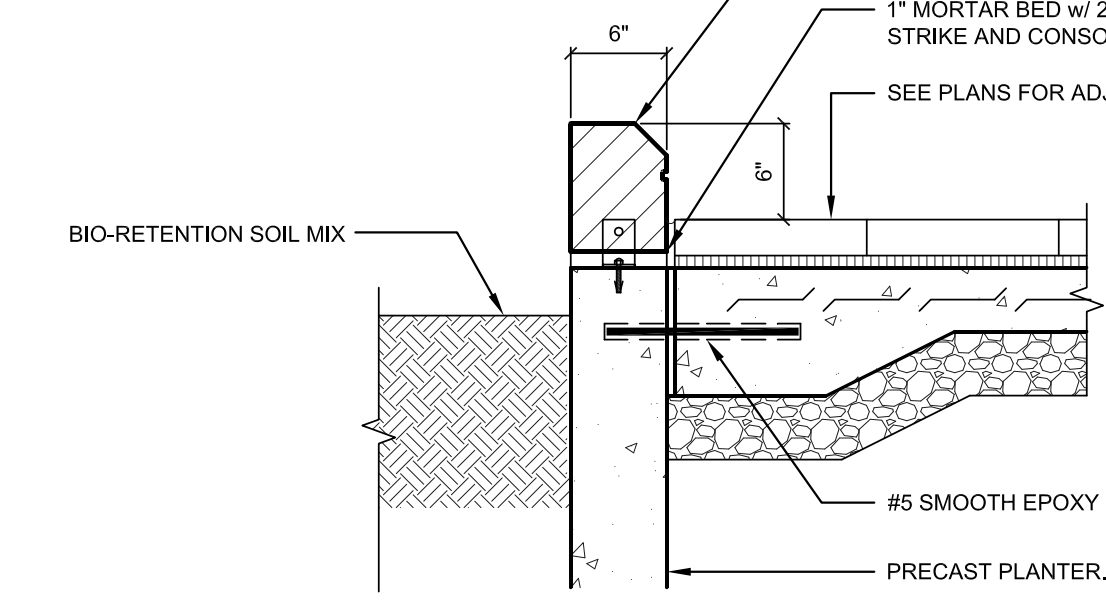
8 PAVERS / COMPACTED STONE DETAIL
SCALE: 1" = 1'-0"



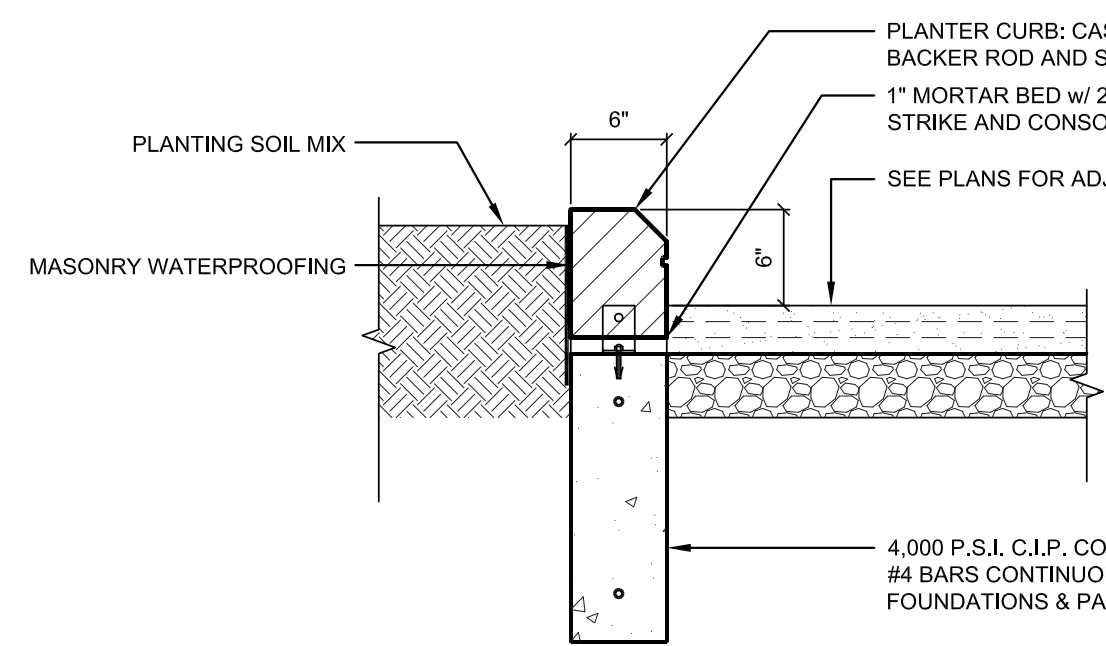
9 CONCRETE WALK / PAVERS DETAIL
SCALE: 1" = 1'-0"



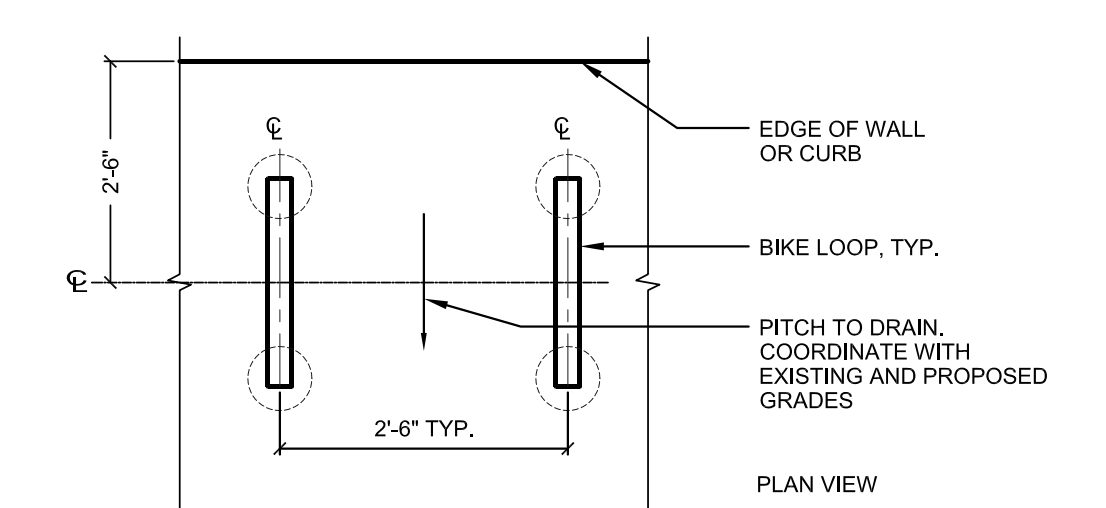
10 PLANTER CURB
SCALE: 1" = 1'-0"



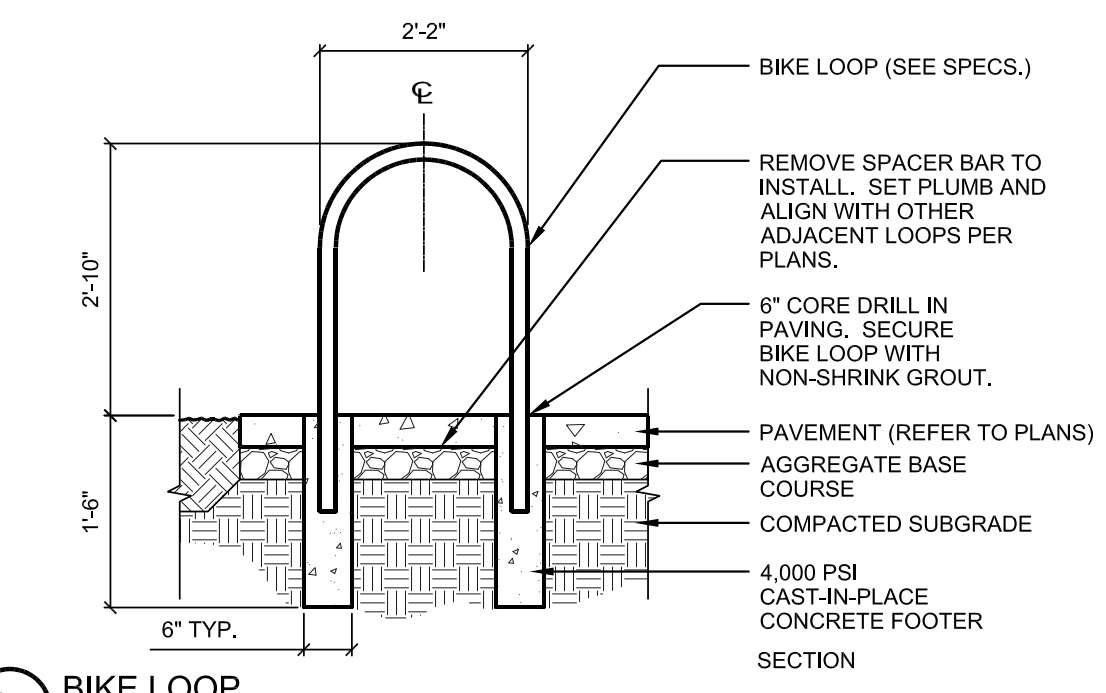
11 PLANTER CURB IN RIGHT-OF-WAY
SCALE: 1" = 1'-0"



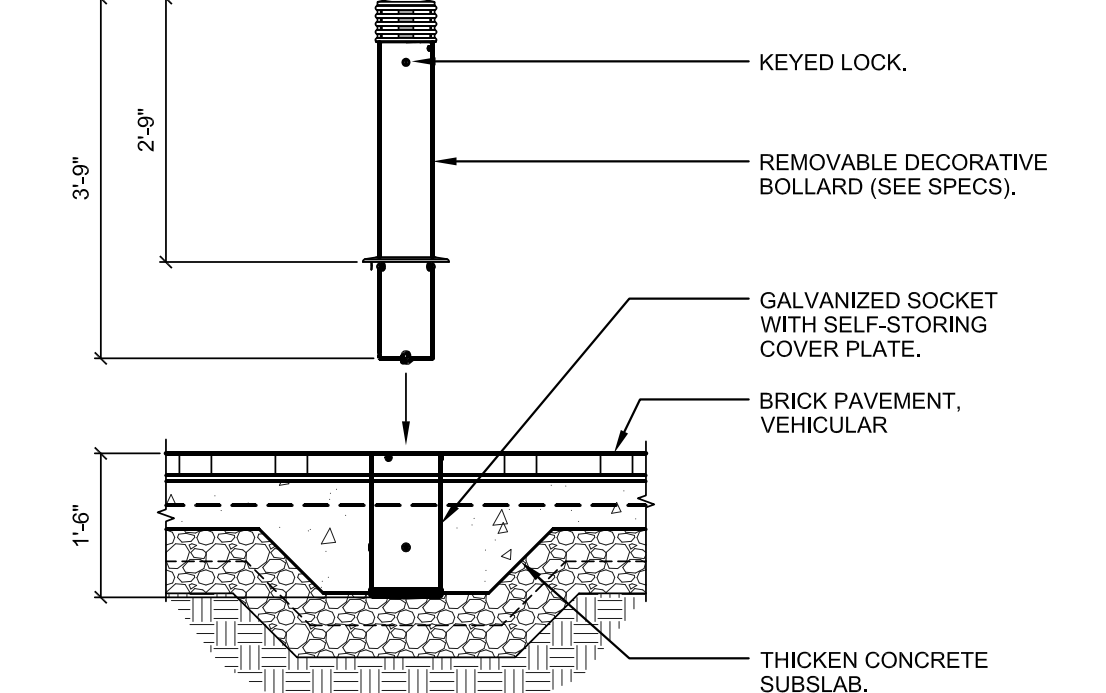
12 PLANTER CURB @ CRUSHED GRANITE PAVEMENT
SCALE: 1" = 1'-0"



15 BIKE LOOP
SCALE: 1/2" = 1'-0"
TWELVE REOD.



16 REMOVABLE DECORATIVE BOLLARD
SCALE: 1/2" = 1'-0"



17 DECORATIVE BOLLARD
SCALE: 1/2" = 1'-0"

RUNDELL ERNSTBERGER ASSOCIATES, LLC
Land Planning + Urban Design + Landscape Architecture
611 W Main Street, Suite 201, Louisville, KY 40202
TE [502] 561.8676 FX [502] 561.9076
E-mail: reassociates@reassoc.com
www.reassoc.com
additional offices in:
Indianapolis, IN | Muncie, IN

PREPARED FOR:
City of Rapid City
Public Works Department
300 Sixth Street, Rapid City, SD 57701
TE [605] 394-4165 FX [605] 355-3083
Destination Rapid City
606 Main Street, Rapid City, SD 57701
TE [605] 716-7979 FX [605] 341-6415

CONSULTANTS:
FourFront Design, Inc.
Architecture and Civil Engineering
517 Seventh Street
Rapid City, SD 57701
TE [605] 342-9470 FX [605] 342-2377
Skyline Engineering, LLC
Electrical and Mechanical Engineering
615 12th Street
Rapid City, SD 57701
TE [605] 737.3830 FX [605] 737.3859

Albertson Engineering, Inc.
Structural Engineering
3202 W Main Street, Suite C
Rapid City, SD 57702
TE [605] 343.9606 FX [605] 341.7395

PROJECT:
**Main Street Square
Site Development
Rapid City, South Dakota**

REVISIONS:			
NO.	BY	DESCRIPTION	DATE
—	REA	100% CONSTRUCTION DRAWINGS REVIEW SET	9/08/10

COPYRIGHT NOTICE:
THE CONCEPTS, IDEAS, DESIGNS, PLANS, AND DETAILS AS SHOWN ON THIS DOCUMENT ARE THE SOLE PROPERTY OF RUNDELL ERNSTBERGER ASSOCIATES, LLC AND WERE CREATED, DEVELOPED, AND PRESENTED FOR USE ON THIS SPECIFIC PROJECT. NONE OF THE CONCEPTS, IDEAS, DESIGNS, PLANS, AND DETAILS SHALL BE USED BY ANY PERSON, FIRM OR CORPORATION FOR ANY PURPOSE WHATSOEVER, WITHOUT THE EXPRESSED WRITTEN CONSENT OF RUNDELL ERNSTBERGER ASSOCIATES, LLC. THE OWNER/CIENT SHALL BE PERMITTED TO RETAIN COPIES FOR INFORMATION AND REFERENCE IN CONNECTION WITH THIS PROJECT.

DRAWING NAME: Site Details	
CERTIFICATION:	City #: PR2010-1901 Project No.: 091131 Date: Sept. 8, 2010 Drawn by: PMA Checked by: DDR File: 1131_SD5.00.dwg
100% CDs OWNER REVIEW SET	DRAWING #:

SD 5.01