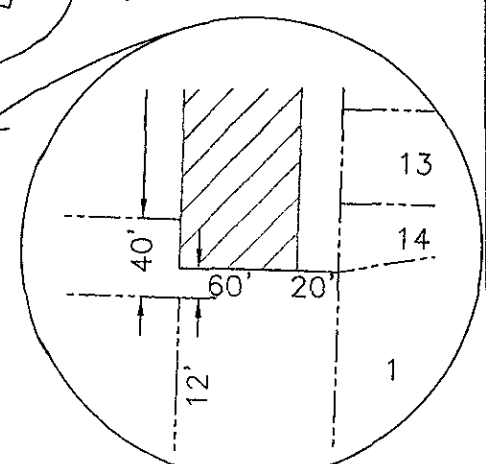
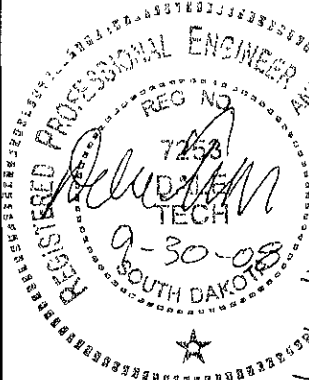
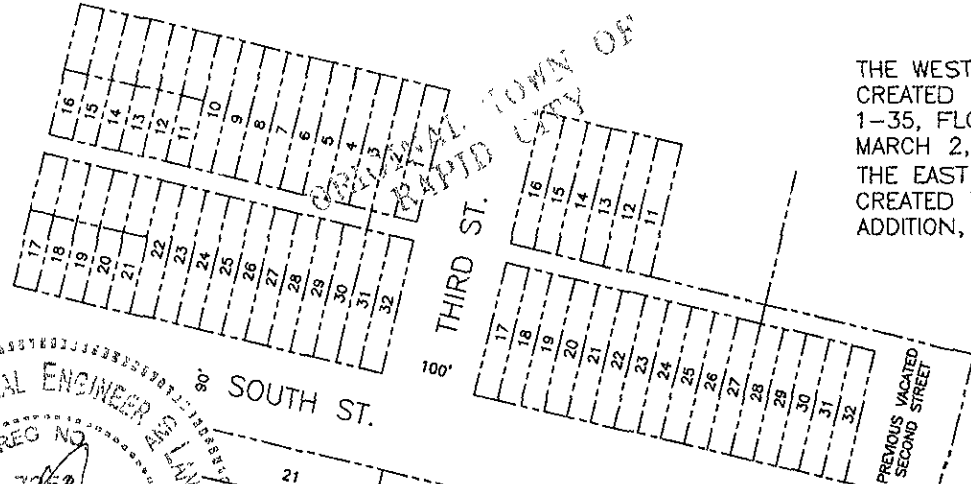


EXHIBIT A

DESCRIPTION OF DEDICATED RIGHT OF WAY TO BE VACATED:

THE ENTIRE SECOND STREET RIGHT OF WAY FROM THE SOUTH STREET RIGHT OF WAY SOUTH TO THE SOUTH LOT LINE OF LOTS 16-18, BLOCK 5, KELLOGG ADDITION, AND A 60' WIDE PORTION OF THE SECOND STREET RIGHT OF WAY LOCATED ON THE EAST SIDE OF BLOCK 5, FLORMANN ADDITION, FROM THE SOUTH LOT LINE OF LOTS 16-18, BLOCK 5, KELLOGG ADDITION SOUTH TO 12' NORTH OF THE NORTHEAST CORNER OF TRACT Y, FLORMANN ADDITION LOCATED IN THE S1/2 SECTION 1, T1N, R7E, B.H.M., RAPID CITY, PENNINGTON COUNTY, SOUTH DAKOTA.

THE WEST 40' OF SECOND ST. R.O.W. CREATED WITH THE PLAT OF BLOCKS 1-35, FLORMANN ADDITION, STEEL FILE, MARCH 2, 1886.
 THE EAST 40' OF SECOND ST. R.O.W. CREATED WITH THE PLAT OF KELLOGG ADDITION, STEEL FILE, MARCH 21, 1892.



PORTION OF RIGHT-OF-WAY TO BE VACATED
 FLORMANN ADDITION

SIGNAL HEIGHTS SUBDIVISION

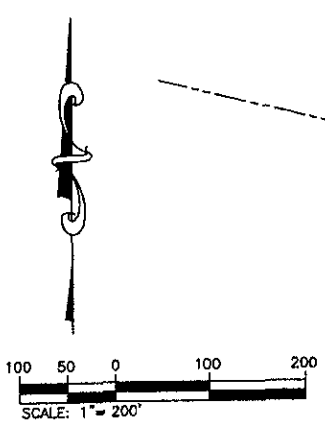


EXHIBIT PREPARED BY:
 CITY OF RAPID CITY
 PUBLIC WORKS DEPT
 ENGINEERING SERVICES
 CITY OF RAPID CITY
 300 SIXTH STREET
 RAPID CITY, SOUTH DAKOTA
 DRAWN BY: MFP DATE: 9-19-08
 CHECKED BY: DET DATE: 9-30-08

SURVEYORS CERTIFICATE:
 I, DALE TECH, A REGISTERED LAND SURVEYOR THAT AT THE DIRECTION OF THE CITY OF RAPID CITY PUBLIC WORKS DEPARTMENT, I HAVE PREPARED FROM RECORD DOCUMENTS THE RIGHT-OF-WAY VACATIONS SHOWN HEREON.

