



DESIGN
WORKS

326 Saint Joseph St.
Suite B
Rapid City, SD 57704
Phone: 605/394-7004
Fax: 605/394-9888

Planned
Development
Submission
NOT FOR
CONSTRUCTION

LANDSCAPE NOTES:

- UNDERGROUND UTILITIES: THE CONTRACTOR IS RESPONSIBLE TO VERIFY ALL UNDERGROUND UTILITIES PRIOR TO CONSTRUCTION. NOTIFY DISCREPANCIES: SOUTH DAKOTA ONE CALL NOTIFICATION: 800-781-7474.
- VERIFY QUANTITIES: QUANTITIES PROVIDED ON DRAWINGS ARE FOR INFORMATION ONLY. CONTRACTOR IS RESPONSIBLE FOR DETERMINING COMPLETE PROJECT. 10% ALL MATERIALS TO BE PLANTED.
- PLANTING SOIL: PROVIDE 12" MIN. PLANTING SOIL IN ALL SHRUB & PERENNIAL AREAS. SEE SPECIFICATIONS AND LANDSCAPE DETAILS.

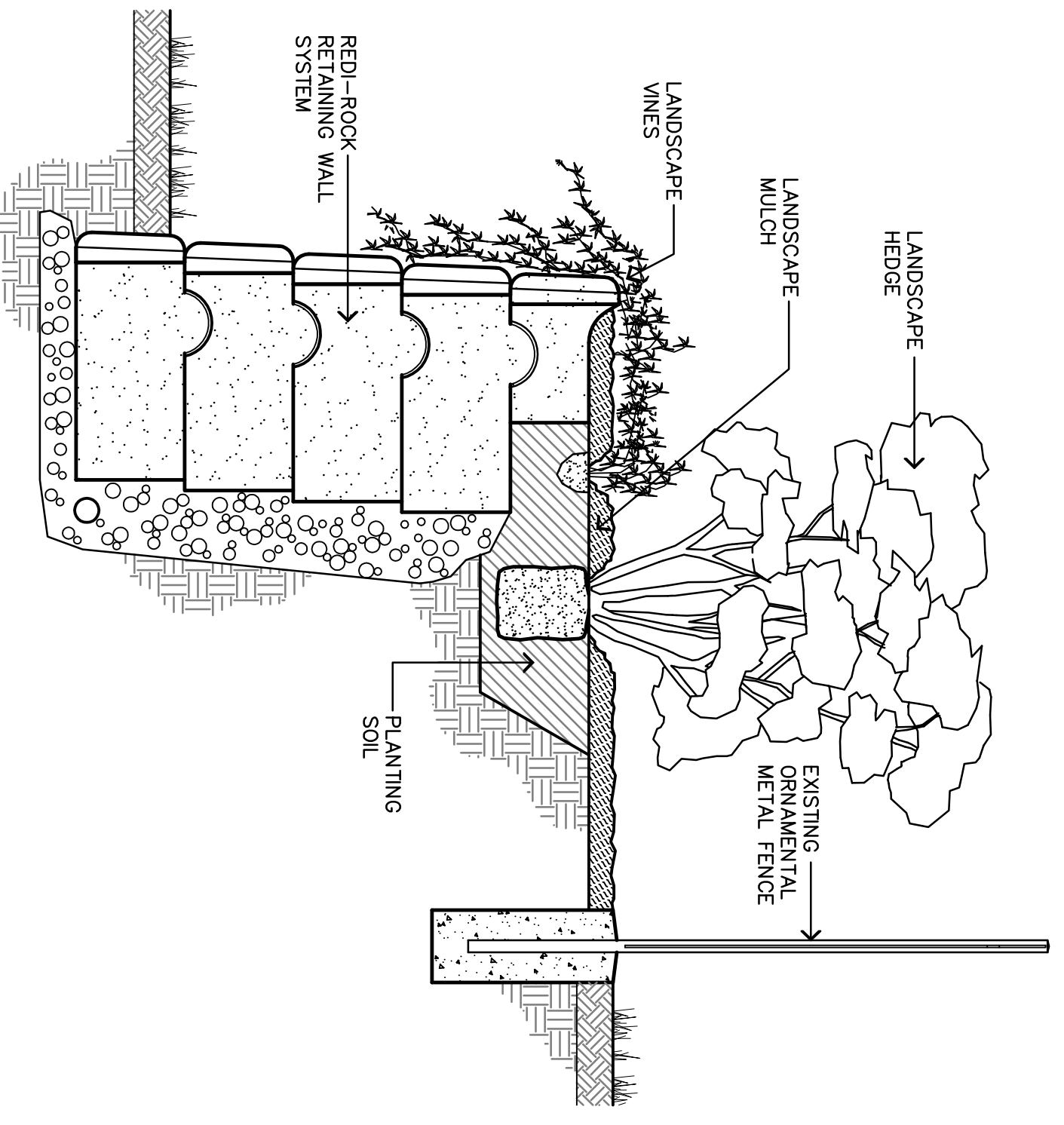
LANDSCAPE REQUIREMENTS:

Rationale for Proposed Landscape Improvements:
The landscape improvements proposed for this project are based on changes recommended in the existing landscape ordinance proposed in 2010. This approach will provide additional setback along frontages to establish more space for landscape enhancements and drainage improvements. The primary objective is to enhance our public streetscapes, provide a healthier environment for tree growth, provide more area to incorporate storm water quality features, and to reduce long-term landscape maintenance.

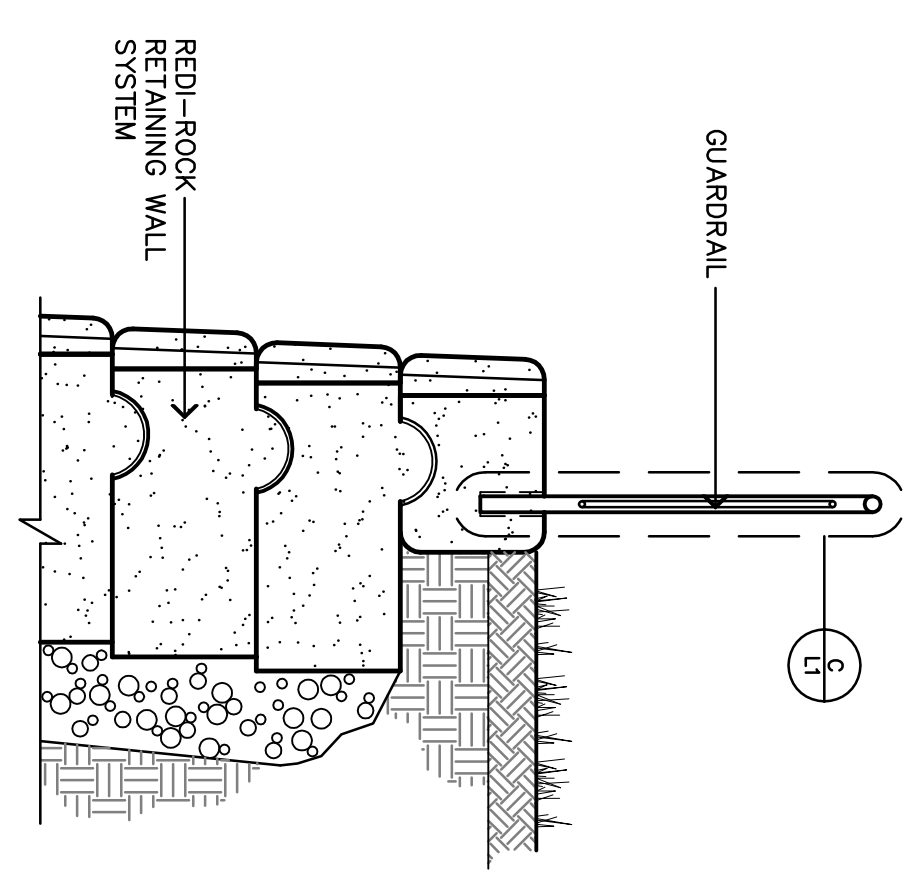
LANDSCAPE KEY NOTES:

- 1 LANDSCAPE EDGING: INSTALL ONE OF THE FOLLOWING LANDSCAPE EDGING OR PLANT APPROVED EQUAL AS INDICATED ON PLANS:
• 3/4" X 4" DEEP STEEL EDGING OR PLANT PROFILES
• 3/4" X 4" DEEP STEEL EDGING COLOR: BROWN
• 3/4" X 4" DEEP STEEL EDGING NO. 10 BY PROSTEEL EDGING, COLOR: BROWN.
- 2 ROCK SUBFACING: PROVIDE 4" MIN. DEPTH RIVER ROCK (2" - 4" DIA.) OR APPROVED EQUAL ON WEED BARRIER FABRIC. DO NOT MIX WITH SOIL OR OTHER MATERIALS.
- 3 ORGANIC MULCH: PROVIDE 3" MIN. DEPTH ORGANIC MULCH AS SPECIFIED ON APPROVED EQUAL.
- 4 SOGGED AREAS: PROVIDE MIN. 6" DEPTH OF TOPSOIL & SOG AS SPECIFIED.
- 5 DEPTH OF TOPSOIL & SEED AS SPECIFIED WITH SEED MIX.

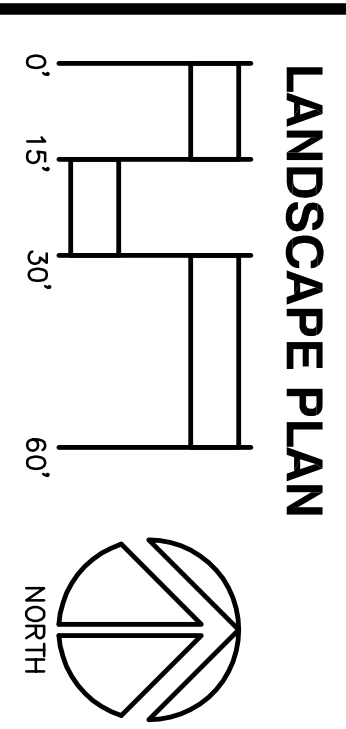
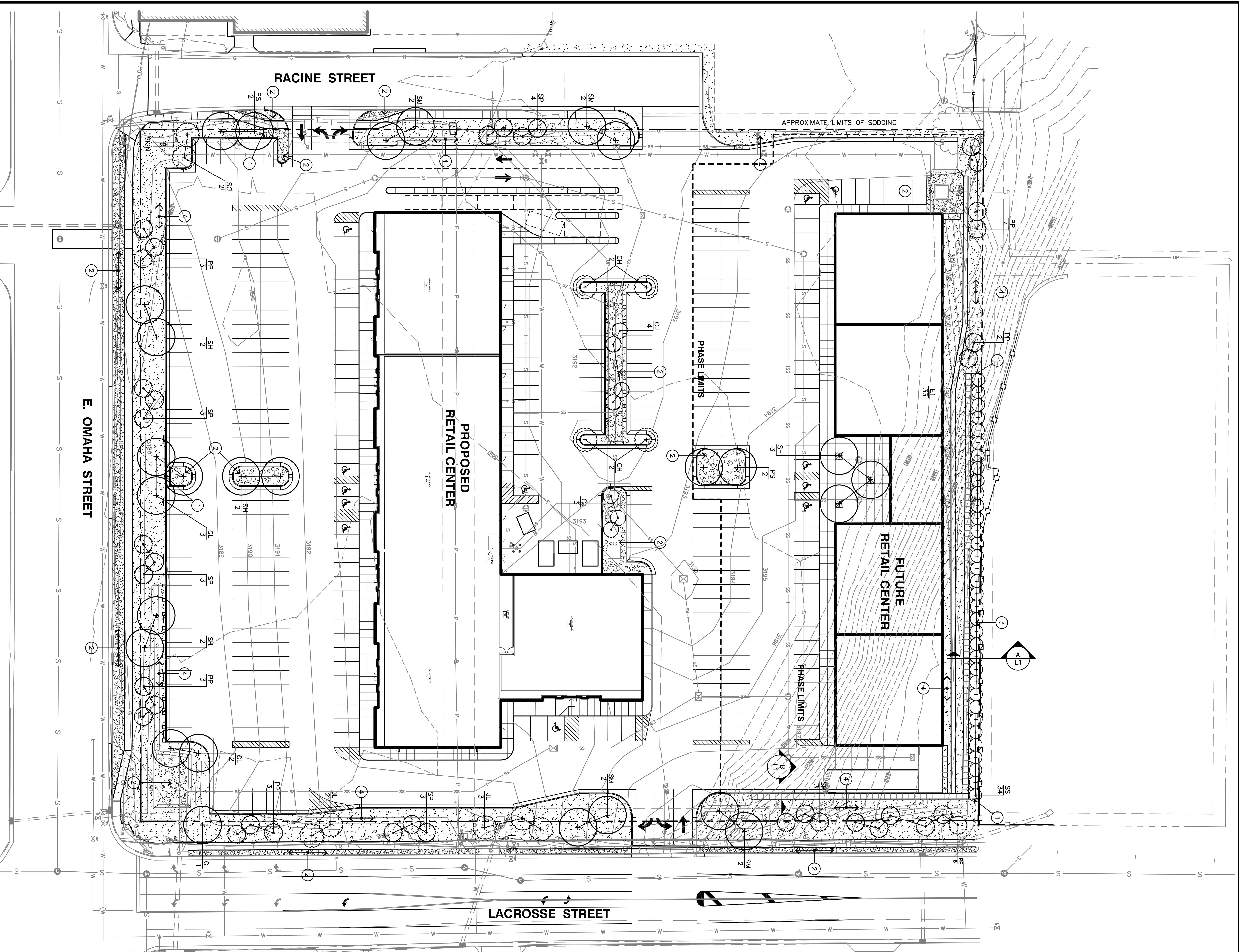
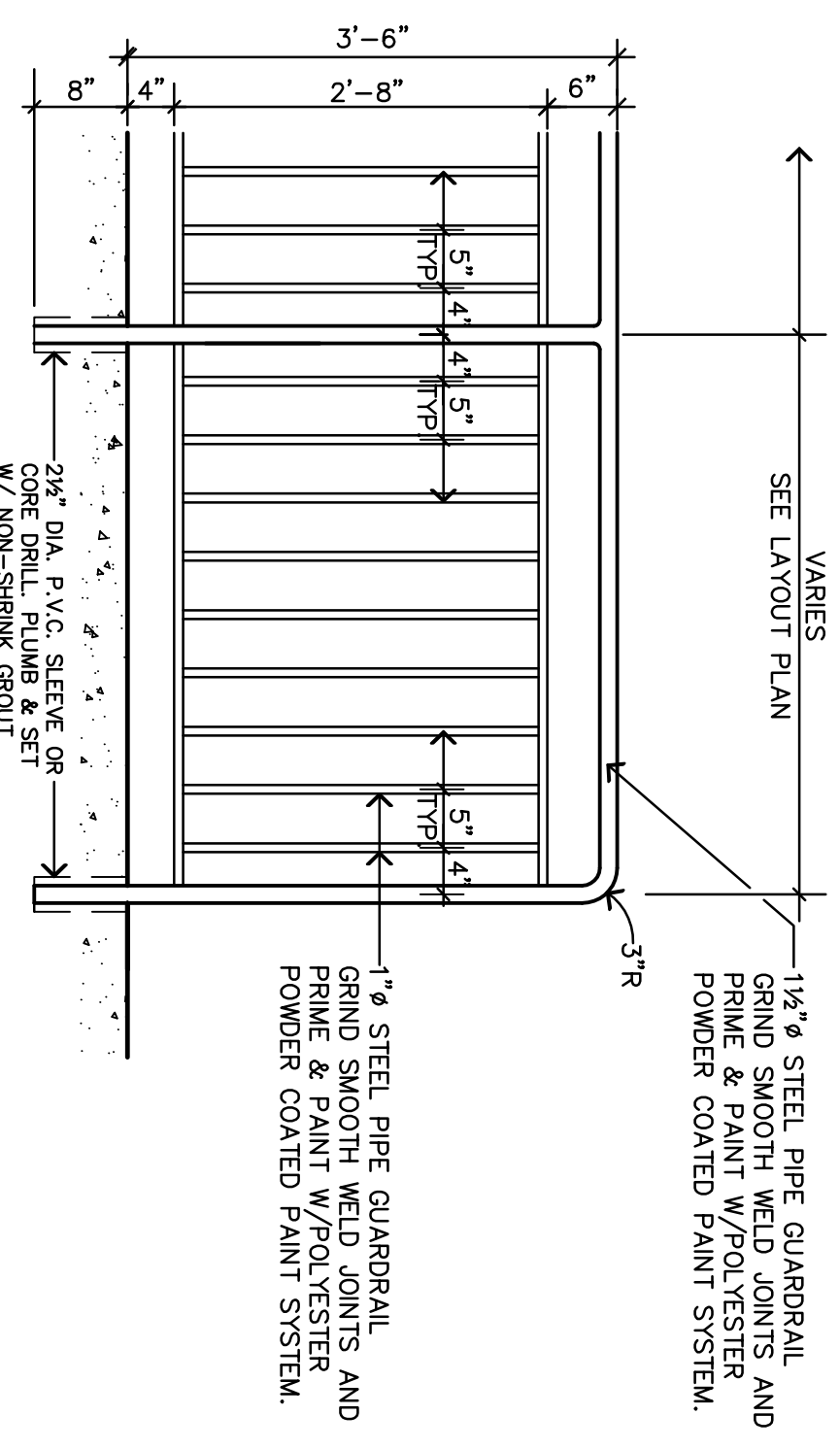
A RETAINING WALL & FENCE SECTION



B RETAINING WALL & GUARDRAIL SECTION



C GUARDRAIL DETAIL



PLANT MATERIAL SCHEDULE

KEY	QUANTITY	COMMON NAME	BOTANICAL NAME	SIZE
DECIDUOUS TREES				
DL	6	Greenspire Linden	Tilia cordata 'Greenspire'	2" B&B
SM	8	Sensation Maple	Acer negundo 'Sensation'	2" B&B
SH	9	Scalpa Horsecast	Quercus tinctoria var. nemora 'Scalpa'	2" B&B
PS	4	Scalpa Paper Birch	Betula papyrifera 'Scalpa'	2" B&B
PS	4	Spring Snow Ash	Fraxinus pennsylvanica 'Napsy'	2" B&B
ORNAMENTAL TREES				
AB	-	Autumn Brilliance Serviceberry	Amenochloa x grandiflora 'Aut. Brilliance'	1 1/2" B&B
CH	4	Thornless Crape Myrtle	Catalpa bignonioides 'Thornless'	1 1/2" B&B
HL	5	Japanese Tree Lilac	Syringa reticulata 'Ivory Silk'	1 1/2" B&B
SC	2	Spring Snow Crab	Malva 'Spring Snow'	1 1/2" B&B
EVERGREEN TREES				
SP	16	Swiss Stone Pine	Pinus comata	8" ht. B&B
PP	21	Pendulous Pine	Pinus pendulosa	8" ht. B&B
CI	7	ColoGreen Juniper	Juniperus scopulorum 'ColoGreen'	8" ht. B&B
DECIDUOUS SHRUBS				
AC	-	Alpine Currant	Ribes alpinum	15" ht.
SS	34	Smooth Sumac	Rhus glabra	3" ht.
TS	-	Deer Nettle	Spiraea betulifolia 'To'	12" ht.
NI	-	Deer Nettle	Physocarpus opulifolius 'Nenu'	15" ht.
EVERGREEN SHRUBS				
BJ	-	Buffalo Juniper	Juniperus sabinna 'Buffalo'	#5 cont.
WP	-	Deer Mug Pine	Pinus mugo pumila	#5 cont.
PERENNIALS/VINES				
EI	33	Empire Ivy	Parthenocissis alternifolia	#1 cont.
SP	-	Sapphire Blue Oat Grass	Sagittaria Blue Oat Grass	#1 cont.
KF	-	Karl Forester Grass	Calamagrostis confertifolia 'Karl Forester'	#1 cont.
DL	-	Stella de Oro Daylily	Hemerocallis Stella de Oro	#1 cont.

LANDSCAPE PLAN
DESTINATION POINTE RETAIL CENTER
RAPID CITY, SOUTH DAKOTA

Project No.: R14-411
File Name: L1-Landscape
Drawn By: JLD
Checked By: BRF
Date: 12-12-14
Revisions:

This drawing is provided as an advisory service only. It is not intended to constitute a contract. The user of this drawing assumes all liability for the use of the information contained herein. The user of this drawing warrants that it is for the use of the project and site identified herein. No other use is permitted without the written consent of the designer.