

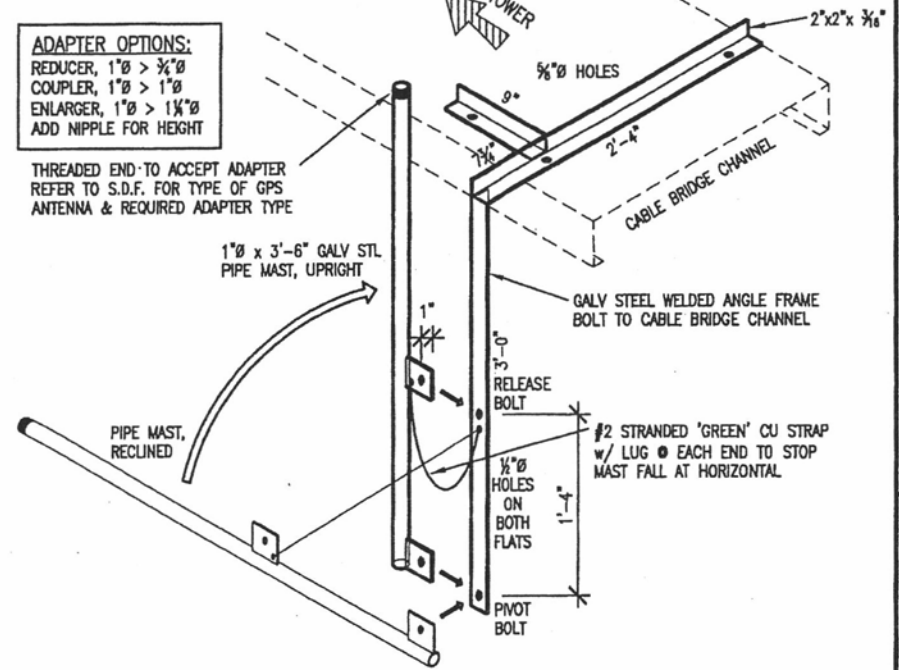
ANTENNA KEY												COAX KEY							
	AZIMUTH	POSITION	FUNCTION	QTY	MANUFACTURER	MODEL	MOD TYPE	ANTENNA LENGTH	ANTENNA TIP	ANTENNA CENTER	ELEC DOWNTILT	MECH DOWNTILT	QTY	COAX TYPE	MANUFACTURER	MODEL	DIELECTRIC	DIAMETER (INCH)	RUN (FEET)
X SECTOR	60°	1.1	TX/RX1	1	COMMSCOPE	SBNH-1D6565C	LTE +45	96.4'	59'	55'	0'	0'	1	MAIN	ANDREW	AVA5-50	FOAM	7/8"	80'
	60°	1.2	TX/RX0	-	-	2ND PORT	LTE -45	-	-	-	-	-	1	MAIN	ANDREW	AVA5-50	FOAM	7/8"	80'
	60°	1.3	RX1	-	-	3RD PORT (FUTURE)	AWS +45	-	-	-	-	-	1	MAIN	ANDREW	AVA5-50	FOAM	7/8"	80'
	60°	1.4	TX/RX0	-	-	4TH PORT (FUTURE)	AWS -45	-	-	-	-	-	1	MAIN	ANDREW	AVA5-50	FOAM	7/8"	80'
	60°	2.1	TX/RX1	1	COMMSCOPE	SBNH-1D6565C	CDMA +45	96.4'	49'	45'	0'	0'	1	MAIN	ANDREW	AVA5-50	FOAM	7/8"	70'
	60°	2.2	TX/RX0	-	-	2ND PORT	CDMA -45	-	-	-	-	-	1	MAIN	ANDREW	AVA5-50	FOAM	7/8"	70'
	60°	2.3	TX/RX1	-	-	FUTURE 3RD PORT (FUTURE)	AWS +45	-	-	-	-	-	1	MAIN	ANDREW	AVA5-50	FOAM	7/8"	70'
	60°	2.4	TX/RX0	-	-	FUTURE 4TH PORT (FUTURE)	AWS -45	-	-	-	-	-	1	MAIN	ANDREW	AVA5-50	FOAM	7/8"	70'
Y SECTOR	180°	1.1	TX/RX1	1	COMMSCOPE	SBNH-1D6565C	LTE +45	96.4'	59'	55'	0'	0'	1	MAIN	ANDREW	AVA5-50	FOAM	7/8"	80'
	180°	1.2	TX/RX0	-	-	2ND PORT	LTE -45	-	-	-	-	-	1	MAIN	ANDREW	AVA5-50	FOAM	7/8"	80'
	180°	1.3	RX1	1	FUTURE	3RD PORT (FUTURE)	AWS +45	-	-	-	-	-	1	MAIN	ANDREW	AVA5-50	FOAM	7/8"	80'
	180°	1.4	TX/RX0	-	-	FUTURE 4TH PORT (FUTURE)	AWS -45	-	-	-	-	-	1	MAIN	ANDREW	AVA5-50	FOAM	7/8"	80'
	180°	2.1	TX/RX1	1	COMMSCOPE	SBNH-1D6565C	CDMA +45	96.4'	49'	45'	0'	0'	1	MAIN	ANDREW	AVA5-50	FOAM	7/8"	70'
	180°	2.2	TX/RX0	-	-	2ND PORT	CDMA -45	-	-	-	-	-	1	MAIN	ANDREW	AVA5-50	FOAM	7/8"	70'
	180°	2.3	TX/RX1	1	FUTURE	3RD PORT (FUTURE)	AWS +45	-	-	-	-	-	1	MAIN	ANDREW	AVA5-50	FOAM	7/8"	70'
	180°	2.4	TX/RX0	-	-	FUTURE 4TH PORT (FUTURE)	AWS -45	-	-	-	-	-	1	MAIN	ANDREW	AVA5-50	FOAM	7/8"	70'
Z SECTOR	300°	1.1	TX/RX1	1	COMMSCOPE	SBNH-1D6565C	LTE +45	96.4'	59'	55'	0'	0'	1	MAIN	ANDREW	AVA5-50	FOAM	7/8"	80'
	300°	1.2	TX/RX0	-	-	2ND PORT	LTE -45	-	-	-	-	-	1	MAIN	ANDREW	AVA5-50	FOAM	7/8"	80'
	300°	1.3	RX1	1	FUTURE	3RD PORT (FUTURE)	AWS +45	-	-	-	-	-	1	MAIN	ANDREW	AVA5-50	FOAM	7/8"	80'
	300°	1.4	TX/RX0	-	-	FUTURE 4TH PORT (FUTURE)	AWS -45	-	-	-	-	-	1	MAIN	ANDREW	AVA5-50	FOAM	7/8"	80'
	300°	2.1	TX/RX1	1	COMMSCOPE	SBNH-1D6565C	CDMA +45	96.4'	49'	45'	0'	0'	1	MAIN	ANDREW	AVA5-50	FOAM	7/8"	70'
	300°	2.2	TX/RX0	-	-	2ND PORT	CDMA -45	-	-	-	-	-	1	MAIN	ANDREW	AVA5-50	FOAM	7/8"	70'
	300°	2.3	TX/RX1	1	FUTURE	3RD PORT (FUTURE)	AWS +45	-	-	-	-	-	1	MAIN	ANDREW	AVA5-50	FOAM	7/8"	70'
	300°	2.4	TX/RX0	-	-	FUTURE 4TH PORT (FUTURE)	AWS -45	-	-	-	-	-	1	MAIN	ANDREW	AVA5-50	FOAM	7/8"	70'
													0	JUMPER	-	-	-	-	-

ADDITIONAL: (2) RET "HOME RUN" CABLE & CONTROLLER (CONTROLLER INSIDE SHELTER)(1 FOR EACH ANTENNA TIER)
 (2) COMMSCOPE ATC300-1000 - RACK MOUNT CONTROLLER (INSIDE SHELTER)
 (2) COMMSCOPE ATLP200-001 - LIGHTNING PROTECTION BOX (INSIDE SHELTER)
 (2) COMMSCOPE ATCB-B01-XX (RET CONTROL CABLE)
 (2+1) COMMSCOPE ATCB-B01-XX (DAISY CHAIN JUMPER)

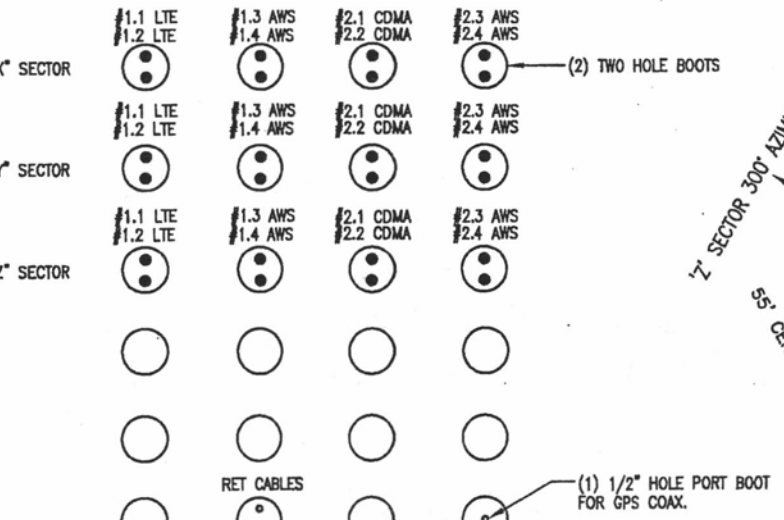
4 ANTENNA KEY
SCALE: NONE

3 COAX KEY
SCALE: NONE

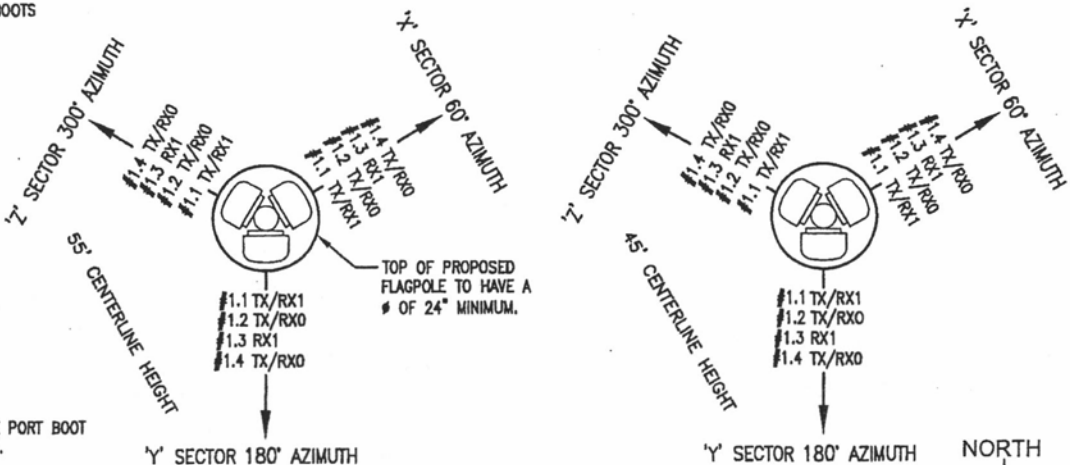
2 GPS MOUNTING DETAIL
SCALE: 3/4" = 1'-0"



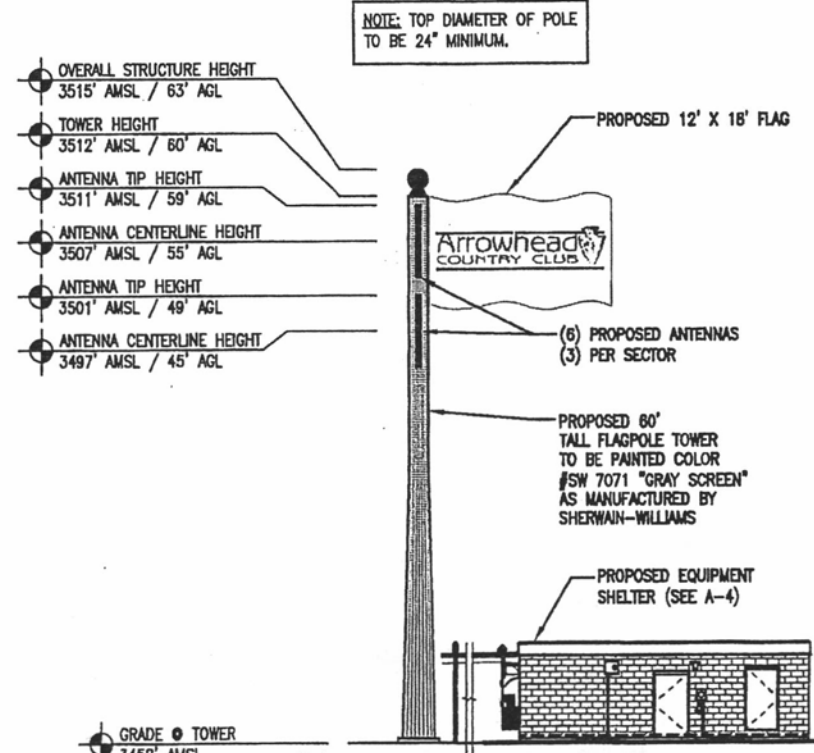
NOTE:
 1.) TOWER TO BE ERECTED AND INSTALLED IN ACCORDANCE WITH TOWER MANUFACTURER'S DRAWINGS NOT INCLUDED WITH THIS PACKAGE. DISCREPANCIES BETWEEN TOWER DRAWINGS AND ARCHITECTURAL DRAWINGS TO BE REPORTED TO VERIZON WIRELESS AND THE ARCHITECT IMMEDIATELY.
 2.) TOWER FOUNDATION, SHELTER FOUNDATION AND THE ACCESS DRIVE TO BE EXCAVATED AND CONSTRUCTED IN ACCORDANCE WITH RECOMMENDATIONS AND SPECIFICATIONS OF THE GEOTECHNICAL REPORT WHICH IS NOT INCLUDED IN THIS PACKAGE. DISCREPANCIES BETWEEN THE REPORT AND THE OTHER DOCUMENTS TO BE IMMEDIATELY REPORTED TO VERIZON WIRELESS AND THE ARCHITECT.



5 COAX ENTRY DETAIL (VIEW FROM INSIDE)
SCALE: NONE



6 ANTENNA MOUNTING DETAIL
SCALE: 1/4" = 1'-0"



1 NORTH ELEVATION
SCALE: 1" = 20'

14UR016

NOT FOR CONSTRUCTION

DESIGN 1

ROBERT J DAVIS, AIA
 ARCHITECT
 9973 VALLEY VIEW RD.
 EDEN PRAIRIE, MN 55344
 (952) 903-9299

VERIZON WIRELESS

10801 BUSH LAKE ROAD
 BLOOMINGTON, MN 55438
 (612) 720 - 0030

PROJECT

2005125051

RCYC
 SW RAPID CITY

TOMAHAWK DRIVE
 RAPID CITY, SD 57702

SHEET CONTENTS:
 TOWER ELEVATION
 COAX & ANTENNA KEY
 GPS DETAIL & ELEVATION
 ANTENNA MOUNTING DETAIL
 COAX ENTRY DETAIL

DRAWN BY: A. STANLEY
 DATE: 05-06-13
 CHECKED BY: TAB/DRT
 REV. A 09-13-13
 REV. B 11-26-13

A-3