

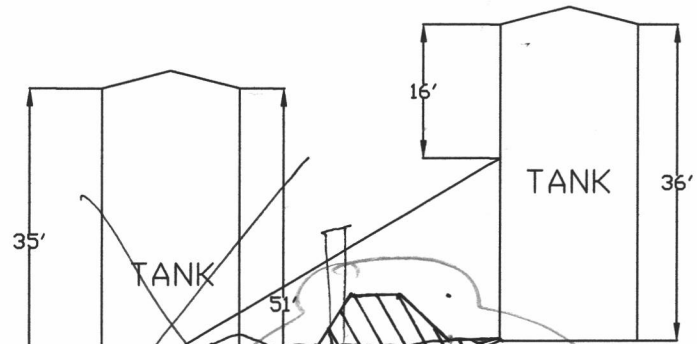
RECEIVED

FEB 20 2014

RAPID CITY COMMUNITY PLANNING
& DEVELOPMENT SERVICES

SECTION B

*OPTIONAL
8' HIGH FENCE



EYE LEVEL @ TOM

Tom JOHNSON lot.

