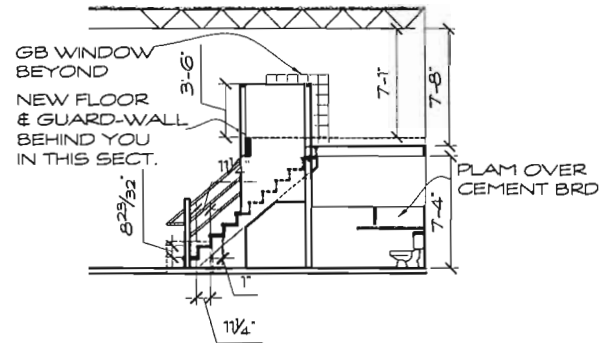
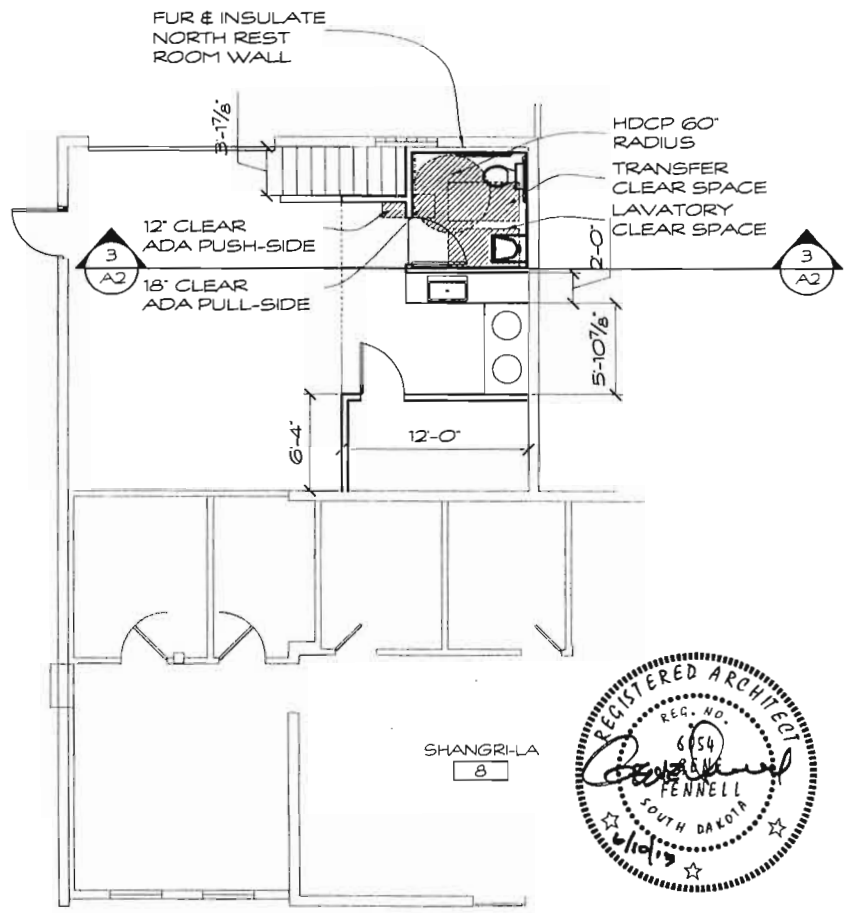


2 MECH MEZZANINE  
A2 SCALE: 1/8" = 1'-0"



3 S-LADDER/FLOOR SECTION  
A2 SCALE: 1/8" = 1'-0"



1 MAIN FLOOR PLAN  
A2 SCALE: 1/8" = 1'-0"



CREAMERY GARAGE SUITE  
RAPID CITY  
brewery

PROJECT NO. 12014  
SADD FILE DD  
DATE 6/10/13  
DRAWN BY FNL

NO.	REVISIONS	DATE	BY

Fennell Design  
Architecture & Project Management

200 W. 10th St. Rapid City, SD 57701  
605-791-6000  
200 W. 10th St. Rapid City, SD 57701  
605-791-6000

A2

RECEIVED  
JUN 13 2013  
Rapid City Community Planning  
& Development Services