

ANTENNA KEY										COAX KEY									
	AZIMUTH	POSITION	FUNCTION	QTY	MANUFACTURER	MODEL	MOD TYPE	ANTENNA LENGTH	ANTENNA TIP	ANTENNA CENTER	ELEC DOWN/ILT	DT BRACKET	QTY	COAX TYPE	MANUFACTURER	MODEL	DIELECTRIC	DIAMETER (INCH)	RUN (FEET)
X SECTOR	330°	1.1	TX/RX1	1	COMMSCOPE	SBNH-1D6565C	LTE 700	96.42"	104.0'	100.0'	5'	Y	1	DIPLEXED WITH AMS E VA BYPASS PORT OF TTA					
	330°	1.2	TX/RX0	1		2ND PORT	LTE 700						1	DIPLEXED WITH AMS E VA BYPASS PORT OF TTA					
	330°	1.3	RX1	1		3RD PORT	LTE-AWS-E						1	MAIN ANDREW AVA7-50	FOAM	1-5/8"	130'		
	330°	1.4	TX/RX0	1		4TH PORT	LTE-AWS-E						1	MAIN ANDREW AVA7-50	FOAM	1-5/8"	130'		
	330°	2.1	TX/RX1	1	COMMSCOPE	SBNH-1D6565C	CDMA 850	96.42"	104.0'	100.0'	5'	Y	1	DIPLEXED WITH AMS B VA BYPASS PORT OF TTA					
	330°	2.2	TX/RX0	1		2ND PORT	CDMA 850						1	DIPLEXED WITH AMS B VA BYPASS PORT OF TTA					
Y SECTOR	90°	1.1	TX/RX1	1	COMMSCOPE	SBNH-1D6565C	LTE 700	96.42"	104.0'	100.0'	5'	Y	1	DIPLEXED WITH AMS E VA BYPASS PORT OF TTA					
	90°	1.2	TX/RX0	1		2ND PORT	LTE 700						1	DIPLEXED WITH AMS E VA BYPASS PORT OF TTA					
	90°	1.3	RX1	1		3RD PORT	LTE-AWS-E						1	MAIN ANDREW AVA7-50	FOAM	1-5/8"	130'		
	90°	1.4	TX/RX0	1		4TH PORT	LTE-AWS-E						1	MAIN ANDREW AVA7-50	FOAM	1-5/8"	130'		
	90°	2.1	TX/RX1	1	COMMSCOPE	SBNH-1D6565C	CDMA 850	96.42"	104.0'	100.0'	5'	Y	1	DIPLEXED WITH AMS B VA BYPASS PORT OF TTA					
	90°	2.2	TX/RX0	1		2ND PORT	CDMA 850						1	DIPLEXED WITH AMS B VA BYPASS PORT OF TTA					
Z SECTOR	210°	1.1	TX/RX1	1	COMMSCOPE	SBNH-1D6565C	LTE 700	96.42"	104.0'	100.0'	5'	Y	1	DIPLEXED WITH AMS E VA BYPASS PORT OF TTA					
	210°	1.2	TX/RX0	1		2ND PORT	LTE 700						1	DIPLEXED WITH AMS E VA BYPASS PORT OF TTA					
	210°	1.3	RX1	1		3RD PORT	LTE-AWS-E						1	MAIN ANDREW AVA7-50	FOAM	1-5/8"	130'		
	210°	1.4	TX/RX0	1		4TH PORT	LTE-AWS-E						1	MAIN ANDREW AVA7-50	FOAM	1-5/8"	130'		
	210°	2.1	TX/RX1	1	COMMSCOPE	SBNH-1D6565C	CDMA 850	96.42"	104.0'	100.0'	5'	Y	1	DIPLEXED WITH AMS B VA BYPASS PORT OF TTA					
	210°	2.2	TX/RX0	1		2ND PORT	CDMA 850						1	DIPLEXED WITH AMS B VA BYPASS PORT OF TTA					
				6	COMMSCOPE	E15509P48 TWIN DIPLEXED TMA	700/AWS			TOWER									
				6	COMMSCOPE	CBCT1921-DF	850/PCS/AWS			SHELTER									
				6	COMMSCOPE	CBCT1721-DF	700/AWS			SHELTER									

NOTE: CONTRACTOR TO OBTAIN CURRENT FINAL SDF & FAA DETERMINATION FROM VZW PRIOR TO CONSTRUCTION COMMENCEMENT

PROPOSED ANTENNAS, T-FRAMES & FEEDLINES TO BE INSTALLED IN ACCORDANCE W/ TOWER STUDY DATED 01/30/13 BY EHRESMANN ENGINEERING INC, PROJECT #57392-13

NOT FOR CONSTRUCTION

DESIGN

ROBERT J DAVIS, AIA ARCHITECT  
8973 VALLEY VIEW RD  
EDEN PRAIRIE, MN 55444  
(952) 905-0209 FAX 905-0202

VERIZON WIRELESS

1081 BUSH LAKE ROAD  
BLOOMINGTON, MN 55448  
(612) 720-0030

PROJECT 20120822235

RCYC WEST RAPID

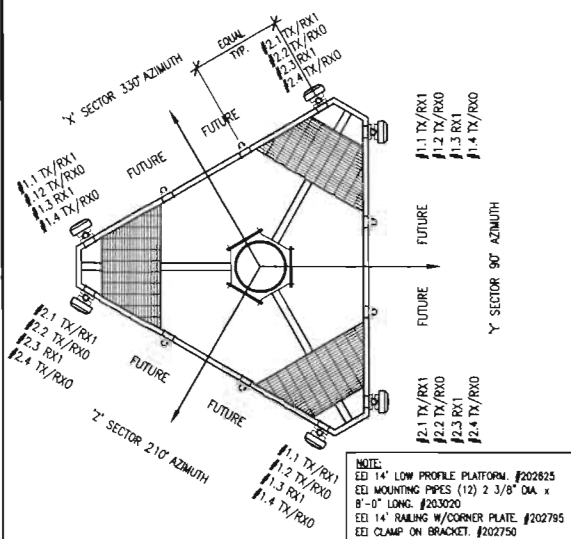
PLAZA DRIVE  
RAPID CITY, SD 57701

SHEET CONTENTS:  
TOWER ELEVATION  
COAX & ANTENNA KEY  
GPS DETAIL & ELEVATION  
ANTENNA MOUNTING DETAIL  
COAX ENTRY DETAIL

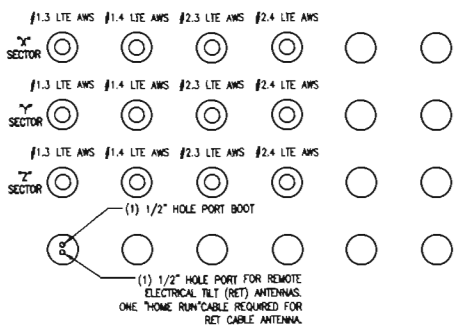
DRAWN BY: JWB  
DATE: 11-06-12  
CHECKED BY: DRT  
REV. A 02-18-13  
REV. B 04-19-13

A-3

3 ANTENNA KEY  
SCALE: NONE



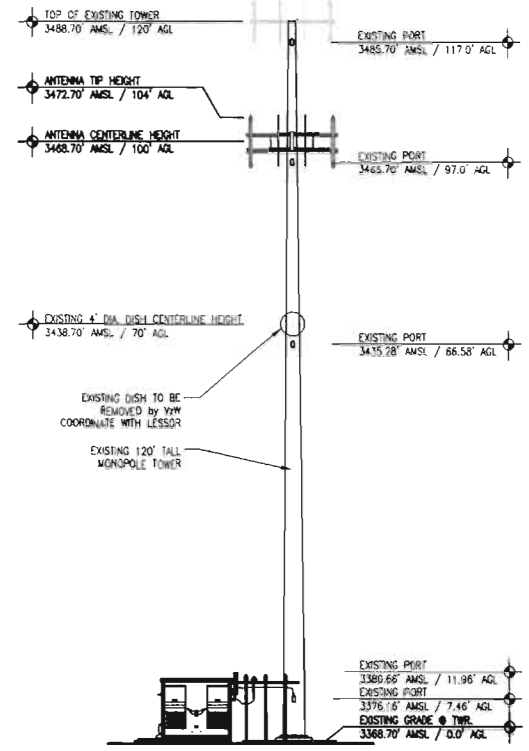
2 COAX KEY  
SCALE: NONE



5 COAX ENTRY DETAIL (VIEW FROM INSIDE)  
SCALE: NONE

NOTE:  
1.) THE ARCHITECT MAKES NO WARRANTY, EXPRESSED OR IMPLIED, OF THE ACCURACY OF THE STRUCTURAL ANALYSIS AND THE PERFORMANCE OF THE COMPLETED CONSTRUCTION AS SHOWN ON THESE DOCUMENTS AND THE STRUCTURAL ANALYSIS.

4 ANTENNA MOUNTING DETAIL  
SCALE: 3/16" = 1'-0"



1 SOUTH ELEVATION  
SCALE: 1" = 30'

EXISTING PORT  
3360.66' AMSL / 11.96' AGL  
EXISTING PORT  
3376.16' AMSL / 7.46' AGL  
EXISTING GRADE @ TWR  
3368.70' AMSL / 0.0' AGL