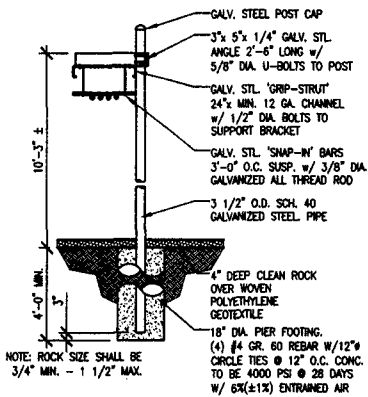


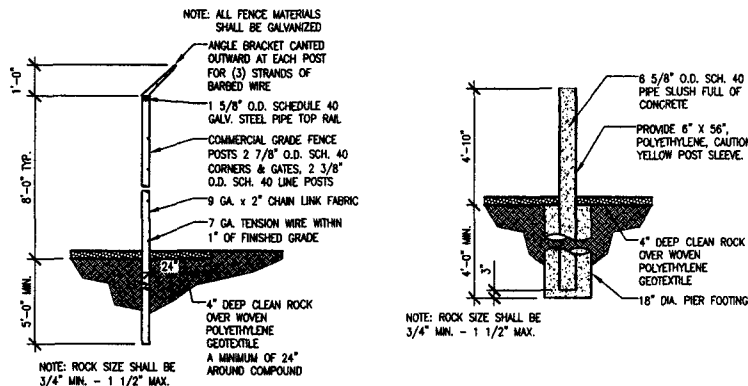
ANTENNA KEY					
NUMBER	FUNCTION	QTY	MANUFACTURER	MODEL	ANTENNA LENGTH
1	TX	1	TELEWAVE	ANT15003	89'
2	TX	1	TELEWAVE	ANT15003	160'
3	RX	1	TELEWAVE	ANT15003	140'
4	TX/RX	1	ANDREW	DB224	89'
5	TX/RX	1	ANDREW	DB224	170'

COAX KEY					
QTY.	COAX TYPE	MANUFACTURER	MODEL	DIELECTRIC	DIAMETER (INCH)
1	MAIN	ANDREW	LDF5-50A	FOAM	7/8"
1	MAIN	ANDREW	LDF5-50A	FOAM	7/8"
1	MAIN	ANDREW	LDF5-50A	FOAM	7/8"
1	MAIN	ANDREW	LDF5-50A	FOAM	7/8"
1	MAIN	ANDREW	LDF5-50A	FOAM	7/8"

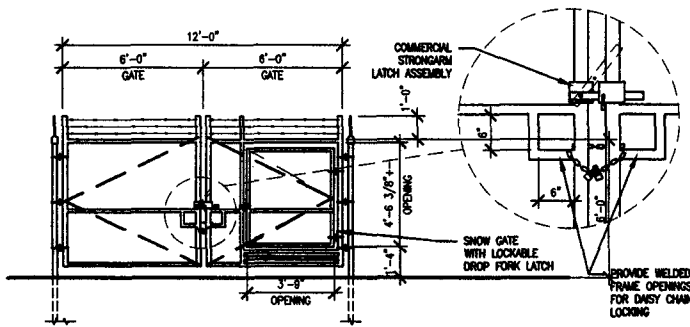
**3 ANTENNA KEY**  
SCALE: NONE



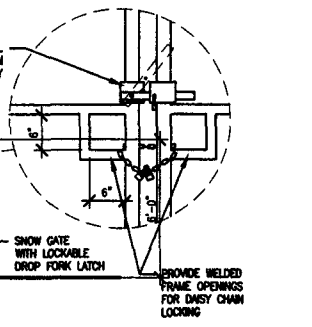
**2 COAX KEY**  
SCALE: NONE



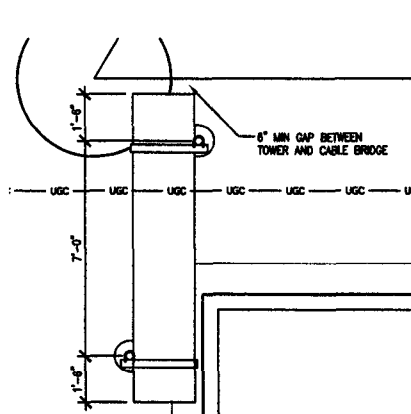
**4 CABLE BRIDGE SECTION**  
SCALE: 1/4\"/>



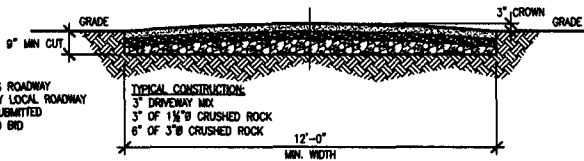
**5 FENCE SECTION**  
SCALE: 1/4\"/>



**6 BOLLARD DETAIL**  
SCALE: 1/4\"/>

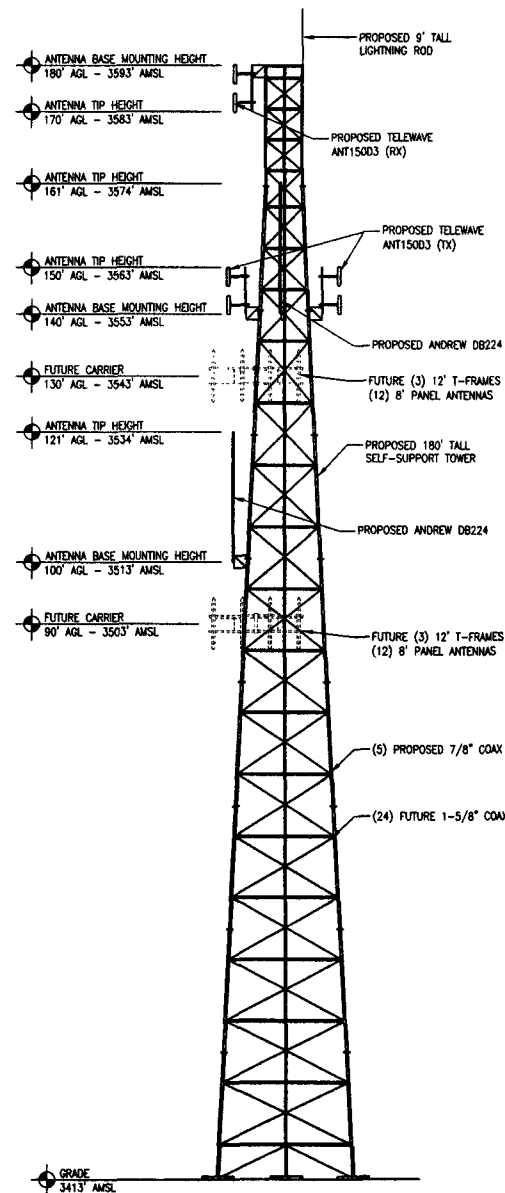
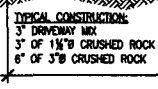


**7 GATE DETAIL**  
SCALE: 3/16\"/>

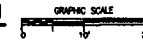


**8 GRAVEL DRIVE SECTION**  
SCALE: 1/4\"/>

ANY VARIANCE FROM THIS ROADWAY DESIGN RECOMMENDED BY LOCAL ROADWAY CONTRACTOR MUST BE SUBMITTED AND APPROVED PRIOR TO BID



**1 ELEVATION**  
SCALE: 1\"/>



I hereby certify that the portion of this technical submission described below was prepared by me or under my direct supervision and responsible charge. I am a duly registered Architect under the laws of the State of SOUTH DAKOTA. ROBERT J. DAVIS, Reg. No. 7186

Signed: \_\_\_\_\_  
Date: \_\_\_\_\_

**DESIGN 1**  
ROBERT J. DAVIS, AIA  
ARCHITECT  
9973 VALLEY VIEW RD.  
EDEN PRAIRIE, MN 55344  
(952) 903-9299 FAX 903-9292

**PERFORMANCE DEVELOPMENT GROUP, LTD.**  
17226 447TH AVENUE  
PO BOX 906  
WATERTOWN, SD 57201  
(605) 886-2605

**PROJECT**  
**RAPID CITY EAST**  
XXXX EAST VALE ROAD  
RAPID CITY, SD 57703

**SHEET CONTENTS:**  
TOWER ELEVATION  
ANTENNA KEY  
COAX KEY  
FENCE SECTION  
CABLE BRIDGE SECTION  
CABLE BRIDGE PLAN  
GATE DETAIL

DRAWN BY: BMS  
DATE: 10-11-11  
CHECKED BY: TRB  
REV. A: 10-12-11  
REV. 0: 10-01-12

RECEIVED

DEC 20 2012

Rapid City Community Planning & Development Services