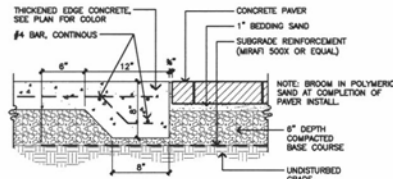
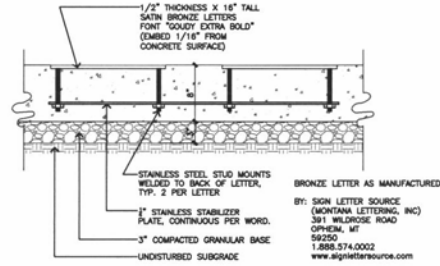


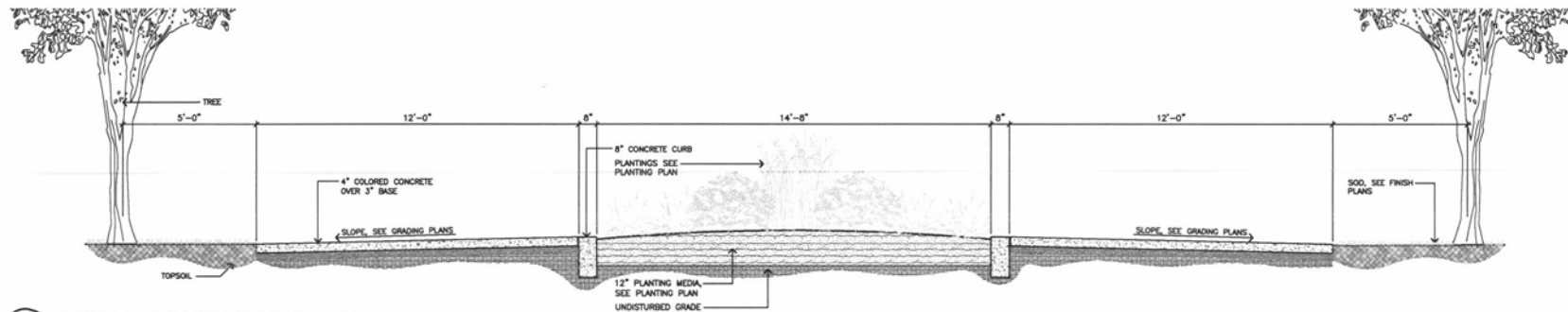
1 SECTION: TYPICAL COLORED CONCRETE PAVING
L8 SCALE: 1 1/2" = 1'-0"



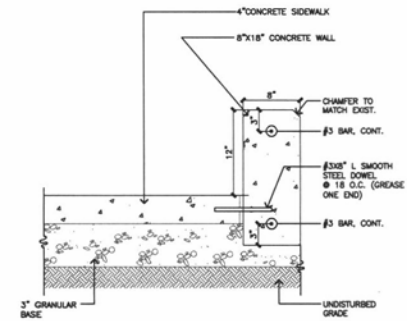
2 SECTION: PAVER EDGE AT WALK
L8 SCALE: 1 1/2" = 1'-0"



3 SECTION: SIGN LETTERS EMBED INTO CONCRETE
L8 SCALE: 1 1/2" = 1'-0"



4 SECTION: TYPICAL PROMENADE SECTION
L8 SCALE: 1/2" = 1'-0"



5 SECTION: CONCRETE WALL AT CROSSWALK
L8 SCALE: 1 1/2" = 1'-0"

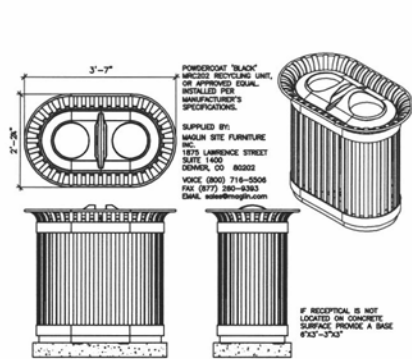
Landscaping Architecture/Plumbing
Wyss Associates, Inc.
 Landscaping Architecture
 Parks & Recreation Design
 Civil/Concrete Architecture
 170 Main Street, Suite 200, St. Paul, MN 55102
 Ph: 651.342.2288 Fax: 651.342.8802
 www.wyssassociates.com
 Civil Engineering & Surveying
FMG, Inc.
 Structural Engineer
 1100 1st Avenue, Suite 200
 St. Paul, MN 55102
 Albertson Engineering, Inc.
 Electrical & Mechanical Engineer
WPE
 CONSULTING ENGINEERS
 170 MAIN STREET, SUITE 200, ST. PAUL, MN 55102
 PHONE: 651.342.2288 FAX: 651.342.8802

Project Name
Memorial Park Promenade
 Rapid City, South Dakota

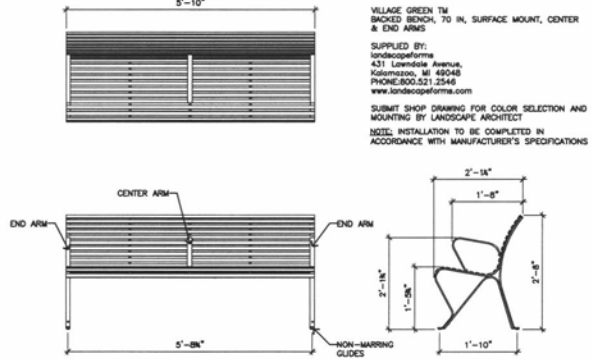
Sheet Title
Hardscape Details

DESIGNED BY:	PHW	
DESIGNED BY:	CHW / EMB	
APPROVED BY:	MRI	
PROJECT NO.:	12101.2	
DATE:	July 2012	
NO.	REVISION	DATE
Sub Sheet	L8	
Sheet	OF	

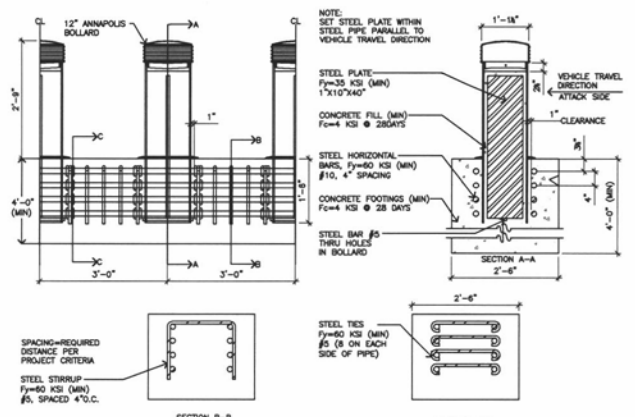
Copyright © 2012 by Wyss Associates, Inc. All rights reserved. No part of this document may be reproduced, stored in a retrieval system, or transmitted in any form or by any means, electronic, mechanical, photocopying, recording, or by any information storage and retrieval system, without the prior written permission of Wyss Associates, Inc.



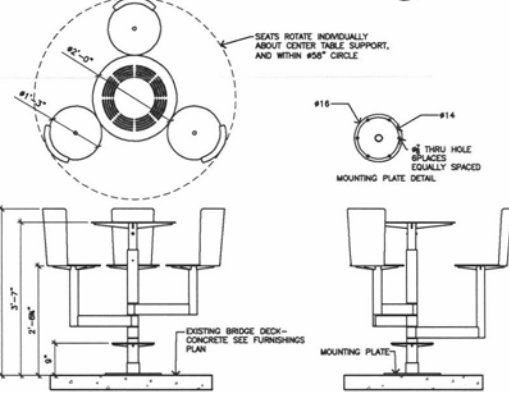
1 DETAILS: MAGLIN TRASH & RECYCLE STATION
L22 SCALE: 3/4" = 1'-0"



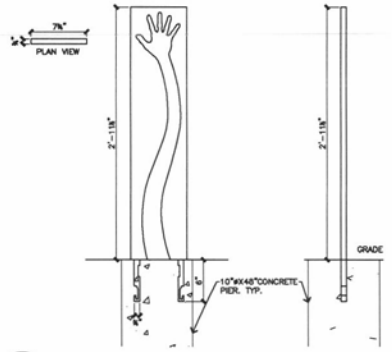
2 DETAILS: BACKED BENCH WITH ARMS
L22 SCALE: 3/4" = 1'-0"



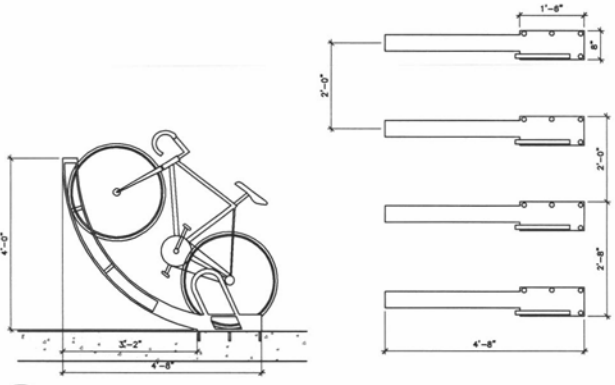
3 DETAILS: ANNAPOLIS SOLAR BOLLARD
L22 SCALE: 3/4" = 1'-0"



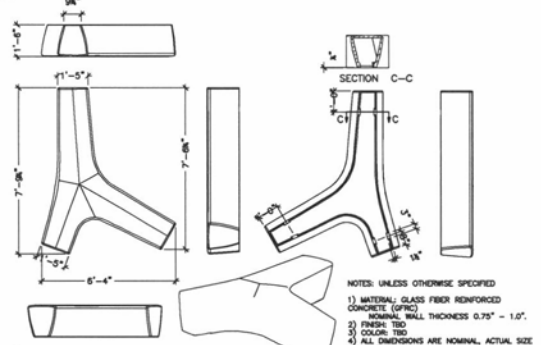
4 DETAILS: NYNY TABLE AND CHAIRS
L22 SCALE: 3/4" = 1'-0"



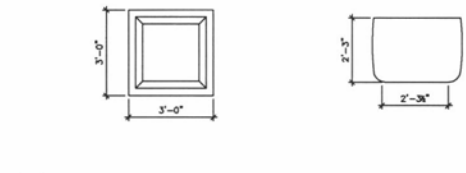
5 DETAIL: TACTIL HAND BIKE RACK
L22 SCALE: 1 1/2" = 1'-0"



6 DETAILS: BIKE ARC
L22 SCALE: 3/4" = 1'-0"



7 DETAIL: TWIG BENCH
L22 SCALE: 3/8" = 1'-0"



8 DETAIL: PLANTING URN, KORNEGAY DESIGN
L22 SCALE: 1/2" = 1'-0"

Landscape Architects/Prime Consultants
Wyss Associates, Inc.
Landscape Architecture
Parks & Recreation Design
Civil/Concrete Architecture
728 Main Street, Suite 100, St. Paul, MN 55102
PH: 651.224.2288 FAX: 651.224.2288
www.wyssassociates.com

Civil Engineering & Surveying
FMG, Inc.
2000 North Hennepin Avenue, Suite 100, Minneapolis, MN 55412
PH: 612.338.8800 FAX: 612.338.8801
www.fmginc.com

Structural Engineering
2000 North Hennepin Avenue, Suite 100, Minneapolis, MN 55412
PH: 612.338.8800 FAX: 612.338.8801
www.fmginc.com

Electric & Mechanical Engineer
WPE CONSULTING ENGINEERS
1100 West 12th Street, Suite 100, St. Paul, MN 55108
PHONE: 651.224.2288 FAX: 651.224.2288

Memorial Park Promenade
Rapid City, South Dakota

Project Name
Landscape Furnishing Details

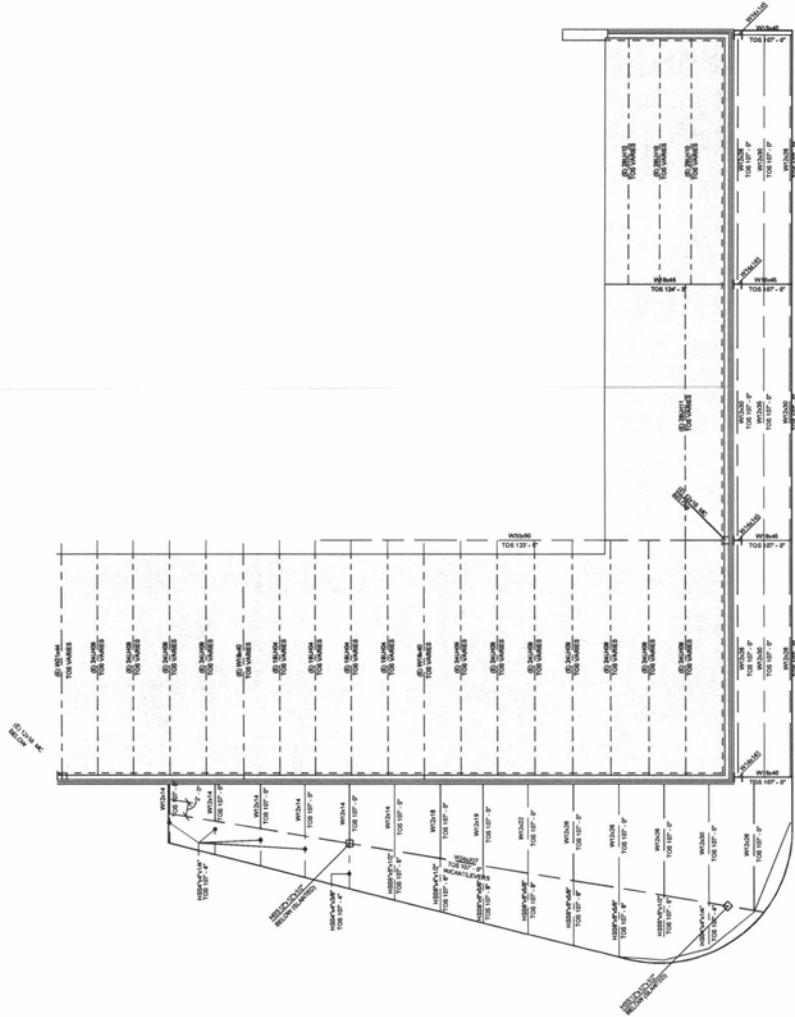
Sheet Title
L22

DESIGNED BY: PFW
DRAWN BY: CMV/BBB
APPROVED BY: MKZ
PROJECT NO. 12301.2
DATE: July 2012

NO.	REVISION	DATE

Sub Sheet
L22
Sheet OF

Copyright © 2012 Wyss Associates, Inc. All rights reserved. No part of this document may be reproduced without the prior written permission of Wyss Associates, Inc. All dimensions, materials, and finishes shall remain the property of the design professional. All common law, statutory and other reserved rights including the copyright therein.



FRAMING PLAN
1/8" = 1'-0"



FRAMING PLAN NOTES

- SEE SHEET 02A FOR STRUCTURAL NOTES.
- VERIFY ALL DIMENSIONS & ELEVATIONS WITH ARCHITECTURAL DRAWINGS BEFORE CONSTRUCTION COMMENCES.
- ELEVATIONS ON THE STRUCTURAL DRAWINGS REFER TO THE TOP OF EXISTING CONCRETE SLAB REFERENCE ELEVATION SET AT 100'-0".

Landscape Architecture/Planner Consultant
Wyss Associates, Inc.
 Landscape Architecture
 Parks & Recreation Design
 Golf Course Architecture
 170 3rd Street, North City, SD 57101-3401
 PH: 605.348.2288 FAX: 605.348.8500
 www.wyssassociates.com

Civil Engineering & Surveying
FMG, Inc.
 221 5th Ave
 Suite 100
 Rapid City, SD 57102-1001
 PH: 605.342.1111 FAX: 605.342.1112
 www.fmginc.com

Structural Engineer
Albertson Engineering Inc.
 1011 10th Street, Suite 100
 Rapid City, SD 57102-1001
 PH: 605.342.1111 FAX: 605.342.1112
 www.albertsoneng.com

WPE
 CONSULTING ENGINEERS
 1700 14th Street, Suite 100
 Rapid City, SD 57102
 PHONE: 605.342.4525 FAX: 605.342.4526

Project Name
Memorial Park Promenade
 Rapid City, South Dakota

Sheet Title
CANOPY FRAMING PLAN

DESIGNED BY: MCA
 DRAWN BY: MCA
 APPROVED BY: MCA
 PROJECT NO. 12061.2
 DATE: 01-09-12

NO.	REVISION	DATE

Sub Sheet
S2.0
 Sheet
 1 of 1

Ownership of Instruments of Service: All reports, plans, specifications, computer files, field data, notes and instruments prepared by the design professional as instruments of service shall remain the property of the design professional. All common law, statutory and other reserved rights including the copyright therein.