



FEATURES & SPECIFICATIONS

CONSTRUCTION — Weldable-grade hot-rolled, commercial-quality carbon steel tubing with a minimum yield of 55,000 psi. Uniform wall thickness of 11-gauge (0.1196") or 7-gauge (0.1793"). Shafts are one-piece construction with a full-length longitudinal high-frequency electric resistance weld. Round in cross-section having a uniform taper of approximately .14" per foot.

Anchor base is fabricated from hot-rolled carbon steel plate that conforms to ASTM A36 that meets or exceeds a minimum yield of 36,000 psi. Base plate and shaft are circumferentially welded top and bottom.

Rectangular reinforced handhole having nominal dimensions of 3 x 5" for 5.9" shaft and oval shaped 4 x 6.5" for all other shafts. Cover with attachment screws included. Handhole is located 18" above the base.

Weatherproof, removable top cap provided with all drill-mount poles.

Fasteners are high-strength galvanized, zinc-plated or stainless steel.

Finish: Must specify finish.

Grounding: Provision located inside handhole rim. Grounding hardware is not included (provided by others).

Anchor bolts: Top portion of anchor bolt is galvanized per ASTM A-153. Made of steel rod having a minimum yield strength of 55,000 psi.

Catalog Number	
Notes	Type



Anchor Base Poles

RTS

ROUND TAPERED STEEL

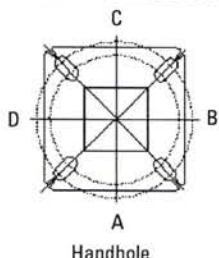
ORDERING INFORMATION

Lead times will vary depending on options selected. Consult with your sales representative.

Example: RTS 30 6-6B DM19 DDB

Series	Nominal fixture mounting height	Nominal shaft base size/wall thickness	Mounting ¹	Options	Finish ¹⁰
RTS	20 – 50 feet (see back page.)	(See back page.)	Tenon mounting	Shipped installed	Standard colors
			PT Open top	L/AB Less anchor bolts	DDB Dark bronze
			T20 2-3/8" O.D. (2" NPS) ²	FBC Full base cover	DWH White
			T25 2-7/8" O.D. (2-1/2" NPS) ²	VD Vibration damper	DBL Black
			T30 3-1/2" O.D. (3" NPS) ²	TP Tamper proof	DMB Medium bronze
			T35 4" O.D. (3-1/2" NPS) ²	H1-18Sxx Horizontal arm bracket (1 fixture) ^{4,5}	DNA Natural aluminum
				FDLxx Festoon outlet less electrical ⁴	GALV Galvanized finish
			Drill mounting³	CPL12 xx 1/2" coupling ⁴	Classic colors
			DM19 1 at 90°	CPL34 xx 3/4" coupling ⁴	DSS Sandstone
			DM28 2 at 180°	CPL1 xx 1" coupling ⁴	DGC Charcoal gray
			DM28PL 2 at 180° with one side plugged	NPL12 xx 1/2" threaded nipple ⁴	DGP Tennis green
			DM29 2 at 90° ²	NPL34 xx 3/4" threaded nipple ⁴	DTG Tennis green
			DM32 3 at 120° ²	NPL1 xx 1" threaded nipple ⁴	DBR Bright red
			DM39 3 at 90° ²	EHHxx Extra handhole ^{4,5}	DSB Steel blue
			DM49 4 at 90° ²	MAEX Match existing ⁸	Architectural colors (powder finish) ¹⁰
			CSX/DSX/AERIS™/OMEROTM	USPOM United States point of manufacture ⁹	
			Drill mounting³		
			DM19AS 1 at 90°		
			DM28AS 2 at 180°		
			DM29AS 2 at 90°		
			DM32AS 3 at 120°		
			DM39AS 3 at 90°		
			DM49AS 4 at 90°		
			AERIS™ Suspend drill mounting^{3,7}		
			DMxxAST_		
			OMEROTM Suspend drill mounting^{3,7}		
			DMxxMRT_		

HANDHOLE ORIENTATION



IMPORTANT INSTALLATION NOTES:

- Do not erect poles without having fixtures installed.
- Factory-supplied templates must be used when setting anchor bolts. Lithonia will not accept claim for incorrect anchorage placement due to failure to use Lithonia Lighting factory templates.
- If poles are stored outside, all protective wrapping must be removed immediately upon delivery to prevent finish damage.

NOTES:

- When ordering tenon mounting and drill mounting for the same pole, follow this example: DM28/T20. The combination includes a required extra handhole.
- N/A with RTS 25 5-9B, RTS 30 6-6B, RTS 35 7-3B, RTS 39 7-8B because pole top is too small.
- The drilling template to be used for a particular luminaire depends on the luminaire that is used. Refer to the Technical Data Section of the Outdoor Binder for Drilling Templates.
- Specify location and orientation when ordering option.
For 1st "x": Specify the height in feet above base of pole.
Example: 5ft = 5 and 20ft = 20
For 2nd "x": Specify orientation from handhole (A,B,C,D)
Refer to the Handhole Orientation diagram above.
- Horizontal arm is 18" x 2-3/8" O.D. tenon standard.
- Combination of tenon-top and drill mount includes extra handhole.
- Insert "1" or "2" to designate fixture size; e.g. DM19AST2.
- Must add original order number.
- Use when mill certifications are required.
- Additional colors available; see www.lithonia.com/archcolors or Architectural Colors brochure (Form No. 794.3). Powder finish standard.

RECEIVED

APR 04 2012

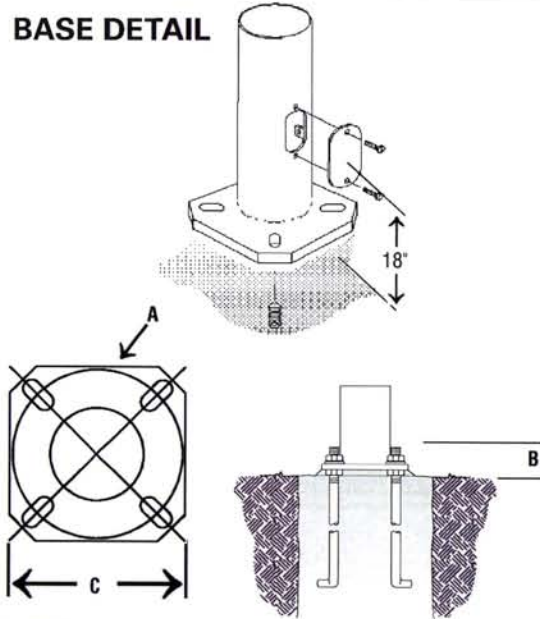
Rapid City Community Planning & Development Services

RTS Round Tapered Steel Poles

TECHNICAL INFORMATION

Catalog Number	Nominal shaft length (feet)	Pole Shaft Size (Base in. x Top in. x ft.)	Wall Thickness (inches)	Gauge	EPA (ft ²) with 1.3 gust						Bolt Circle (inches)	Bolt Size (in. x in. x in.)	Approximate ship weight (pounds)
					80 mph	Max. weight	90 mph	Max. weight	100 mph	Max. weight			
RTS 20 5-9B	20	5.9 x 3.1 x 20	0.120	11	19.3	482	15.1	377	12.2	305	9.0	1 x 36 x 4	140
RTS 20 6-5B	20	6.5 x 3.7 x 20	0.120	11	24.2	605	19.3	482	15.6	390	9.5	1 x 36 x 4	160
RTS 25 5-9B	25	5.9 x 2.4 x 25	0.120	11	12.5	312	9.9	247	8	200	9.0	1 x 36 x 4	155
RTS 25 7-0B	25	7.0 x 3.5 x 25	0.120	11	20.3	507	16.2	405	13.1	327	10.0	1 x 36 x 4	200
RTS 25 7-0F	25	7.0 x 3.5 x 25	0.179	7	30.5	760	24.0	625	19.8	495	10.0	1 x 36 x 4	280
RTS 30 6-6B	30	6.6 x 2.4 x 30	0.120	11	11.7	292	9.3	232	7.5	187	9.5	1 x 36 x 4	200
RTS 30 8-0B	30	8.0 x 3.8 x 30	0.120	11	18.9	473	14.9	373	12	300	11.0	1 x 36 x 4	265
RTS 30 8-0F	30	8.0 x 3.8 x 30	0.179	7	33.5	838	27.0	675	22.0	550	11.0	1-1/4 x 42 x 6	380
RTS 35 7-3B	35	7.3 x 2.4 x 35	0.120	11	11.2	280	8.9	222	7.1	177	10.5	1 x 36 x 4	250
RTS 35 8-5B	35	8.5 x 3.6 x 35	0.120	11	18.9	472	15.1	377	12.2	305	11.5	1 x 36 x 4	315
RTS 35 9-5B	35	9.5 x 4.6 x 35	0.120	11	23.2	580	18.2	455	14.5	363	13.0	1 x 36 x 4	370
RTS 39 7-8B	39	7.8 x 2.4 x 39	0.120	11	10.7	267	8.5	212	6.6	165	11.0	1 x 36 x 4	285
RTS 39 9-0B	39	9.0 x 3.6 x 39	0.120	11	17.2	430	13.5	338	10.8	270	12.5	1 x 36 x 4	355
RTS 39 9-0F	39	9.0 x 3.6 x 39	0.179	7	28.5	715	23.0	575	19.0	475	12.5	1-1/4 x 42 x 6	515
RTS 45 10-0B	45	10.0 x 3.7 x 45	0.120	11	17.4	435	13.5	338	10.6	265	13.5	1 x 36 x 4	450
RTS 45 10-0F	45	10.0 x 3.7 x 45	0.179	7	28.5	715	23.0	575	19.0	475	13.5	1-1/4 x 42 x 6	650
RTS 50 10-0B	50	10.0 x 3.0 x 50	0.120	11	13.2	330	10.6	265	8.3	208	13.5	1 x 36 x 4	475
RTS 50 10-0F	50	10.0 x 3.0 x 50	0.179	7	20.5	512	16.5	412	13.6	340	13.5	1-1/4 x 42 x 6	680
RTS 50 11-0F	50	11.0 x 3.0 x 50	0.179	7	29.9	748	23.5	588	18.6	465	15.0	1-1/4 x 42 x 6	812
RTS 50 13-0F	50	13.0 x 6.0 x 50	0.179	7	50.4	1260	39.7	992	31.4	785	17.0	1-1/4 x 54 x 6	1020
RTS 50 13-0M	50	13.0 x 6.0 x 50	0.239	3	69.2	1730	55.0	1375	44.2	1105	17.5	1-3/4 x 84 x 6	1335

BASE DETAIL



POLE DATA

Shaft base size	Bolt circle ¹ A	Bolt projection B	Base square C	Template description	Anchor bolt description
5.9" B	9"	3-1/2" - 4-1/4"	10"	ABTEMPLATE PJ50075	AB36-0
6.5" B	9-1/2"	3-1/2" - 4-1/4"	10-1/2"	ABTEMPLATE PJ50074	AB36-0
7.0" B	10"	3-1/2" - 4-1/4"	10-7/8"	ABTEMPLATE PJ50077	AB36-0
7.0" F	10"	3-1/2" - 4-1/4"	10-7/8"	ABTEMPLATE PJ50076	AB36-0
6.6" B	9-1/2"	3-1/2" - 4-1/4"	10-1/2"	ABTEMPLATE PJ50078	AB36-0
8.0" B	11"	3-1/2" - 4-1/4"	11-1/2"	ABTEMPLATE PJ50079	AB36-0
8.0" F	11"	4-1/2" - 5-1/4"	11-1/2"	ABTEMPLATE PJ50080	AB42-0
7.3" B	10-1/2"	3-1/2" - 4-1/4"	11-1/4"	ABTEMPLATE PJ50081	AB36-0
8.5" B	11-1/2"	3-1/2" - 4-1/2"	12"	ABTEMPLATE PJ50082	AB36-0
9.5" B	13"	3-1/2" - 4-1/2"	13"	ABTEMPLATE PJ50083	AB36-0
7.8" B	11"	3-3/4" - 4-1/2"	11-1/2"	ABTEMPLATE PJ50084	AB36-0
9.0" B	12-1/2"	3-3/4" - 4-1/2"	12-3/8"	ABTEMPLATE PJ50085	AB36-0
9.0" F	12-1/2"	4-1/2" - 5-1/4"	12-3/8"	ABTEMPLATE PJ50086	AB42-0
10.0" B	13-1/2"	3-3/4" - 4-1/2"	14"	ABTEMPLATE PJ50087	AB36-0
10.0" F	13-1/2"	4-1/2" - 5-1/4"	14"	ABTEMPLATE PJ50088	AB42-0

IMPORTANT:

• These specifications are intended for general purposes only. Lithonia Lighting reserves the right to change material or design, without prior notice, in a continuing effort to upgrade its products.

NOTES:

- 1 Bolt circles have +/- 1/2" tolerance.
- 2 For poles larger than 10" consult factory.

RECEIVED



An Acuity Brands Company

APR 04 2012

Lithonia Lighting

Outdoor

Rapid City Community Planning & Development Services

Phone: 770-822-9000 Fax: 770-918-1209



FEATURES & SPECIFICATIONS

INTENDED USE – Ideal for parking areas, street lighting, walkways and car lots.
CONSTRUCTION – Rugged, die-cast, soft corner aluminum housing with 0.12" nominal wall thickness. Die-cast door frame has impact-resistant, tempered, glass lens that is fully gasketed with one-piece tubular silicone.
 Finish: Standard finish is dark bronze (DDB) polyester powder finish, with other architectural colors available.
OPTICS – Anodized, aluminum reflectors: IES full cutoff distributions R2 (asymmetric), R3 (asymmetric), R4 (forward throw) and R5S (square) are interchangeable. High-performance anodized, segmented aluminum reflectors IES full cutoff distributions SR2 (asymmetric), SR3 (asymmetric) and SR4SC (forward throw, sharp cutoff). High-performance reflectors attach with tool-less fasteners and are rotatable and interchangeable.
ELECTRICAL – Ballast: High pressure sodium: 70-150W is high reactance, high power factor. Constant wattage autotransformer for 200-400W. Metal halide: 70-150W is high reactance, high power factor and is standard with pulse-start ignitor technology. "SCWA" not required. Constant wattage autotransformer for 175-400W. Super CWA (pulse start ballast), 88% efficient and EISA legislation compliant, is required for metal halide 151-400W (SCWA option) for US shipments only. CSA, NOM or INTL required for probe start shipments outside of the US. Pulse-start ballast (SCWA) required for 200W, 320W, or 350W. Ballast is 100% factory-tested.
 Socket: Porcelain, horizontally oriented medium base socket for 70-150M. Mogul base socket for 175M and above, and 70-400S, with copper alloy, nickel-plated screw shell and center contact. UL listed 1500W, 600V.
LISTINGS – UL Listed (standard). CSA Certified (see Options). UL listed for 25°C ambient and wet locations. IP65 rated in accordance with standard IEC 529.
Specifications subject to change without notice.

Catalog Number	RECEIVED
Notes	APR 04 2012
Type	Rapid City Community Planning & Development Services



Specifications

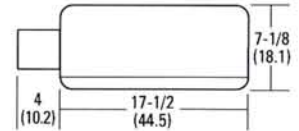
EPA: 1.2 ft.²
 *Weight: 35.9 lbs (16.28 kg)
 Length: 17-1/2" (44.5)
 Width: 17-1/2" (44.5)
 Depth: 7-1/8" (18.1)
 All dimensions are inches (centimeters) unless otherwise specified.
 *Weight as configured in example below.



Soft Square Lighting

KAD

METAL HALIDE: 70-400W
 HIGH PRESSURE SODIUM: 70-400W
 20' TO 35' MOUNTING



ORDERING INFORMATION For shortest lead times, configure product using **bolded options**.

Example: KAD 400M R3 TB SCWA SPD04 LPI

KAD		Wattage		Distribution		Voltage	Ballast	Mounting ¹²	
KAD	Metal halide	High pressure sodium ¹	Ceramic metal halide	Standard reflectors	High performance reflectors ⁵	120	(blank) Magnetic ballast	Ships in fixture carton	
	70M ^{1,2}	250M ⁵	70S	R2 IES type II asymmetric ²	SR2 IES type II asymmetric ²	208 ⁹	CWI Contant wattage isolated ¹¹	SPD	Square pole
	100M ¹	320M ⁴	100S	R3 IES type III asymmetric²	SR3 IES type III asymmetric ²	240 ⁹	Pulse Start Super CWA pulse-start ballast	RPD	Round pole
	150M	350M ^{1,4}	150S	R4 IES type IV forward throw ²	SR4SC IES type IV forward throw	277	SCWA	WBD	Wall bracket
	175M ³	400M^{5,4}	150S	R5S IES type V square		347	NOTE: For shipments to U.S. territories, SCWA must be specified to comply with EISA.	WWD	Wood or pole wall
	200M ⁴	250S	400S			480 ⁹		Ships separately ^{13,14}	
		400S				23050HZ ²¹		DAD12P	Degree arm (pole)
								DAD12WB	Degree arm (wall)
								WBA	Decorative wall bracket ¹⁵
								KMA	Mast arm external fitter
								KTMB	Twin mounting bar
									Arm length
									04 4" arm
									06 6" arm
									09 9" arm
									12 12" arm

Options				Finish ²⁰	Lamp ²¹
Shipped installed in fixture		QRSTD QRS time delay ¹⁸	Shipped separately ¹³	(blank) Dark bronze	LPI Lamp included
SF Single fuse (120, 277, 347V) ¹⁶	WTB Terminal wiring block ¹⁷	CSA CSA Certified	HS House side shield	DWH White	L/LP Less lamp
DF Double fuse (208, 240, 480V) ¹⁶	INTL Available MH for probe start shipping outside the U.S.	REGC1 California Title 20, effective 1/1/2010	PE1 NEMA twist-lock PE (120, 208, 240V)	DBL Black	
PD Power tray ¹⁷			PE3 NEMA twist-lock PE (347V)	DMB Medium bronze	
PER NEMA twist-lock receptacle only (no photocontrol)			PE4 NEMA twist-lock PE (480V)	DNA Natural aluminum	
QRS Quartz restrick system ¹⁸			PE7 NEMA twist-lock PE (277V)		
			SC Shorting cap for PER option		
			VG Vandal guard ¹⁹		
			WG Wire guard ¹⁹		

- Notes**
- Not available with SCWA.
 - Not available with 480V.
 - These wattages do not comply with California Title 20 regulations.
 - Must be ordered with SCWA.
 - These wattages require the REGC1 option to be chosen for shipments into California for Title 20 compliance. 250M REGC1 is not available in 347 or 480V.
 - Reduced jacket ED28 required for SR2, SR3 and SR4SC optics.
 - House-side shield available.
 - High performance reflectors not available with QRSTD.
 - Must specify CWI for use in Canada.
 - Optional multi-tap ballast (120, 208, 240, 277V; in Canada: 120, 277, 347V).
 - Consult factory for available wattages.
 - 9" arm is required when two or more luminaires are oriented on a 90° drilling pattern.
 - May be ordered as an accessory.
 - Must specify finish when ordered as an accessory.
 - Available with SPD04 and SPD09.
 - Must specify voltage. N/A with TB.
 - Only available with SR2, SR3 and SR4SC optics.
 - Max allowable wattage lamp included.
 - Prefix with KAD when ordered as an accessory.
 - See www.lithonia.com/archcolors for additional color options.
 - Must be specified. L/LP not available with MHC.
 - Must use RPD09.

Accessories: Tenon Mounting Slipfitter (RPxx required.) Order as separate catalog number. Must be used with pole mounting.						
Number of fixtures						
Tenon O.D.	One	Two@180°	Two@90°	Three@120°	Three@90°	Four@90°
2-3/8"	T20-190	T20-280	T20-290 ²²	T20-320 ²²	T20-390 ²²	T20-490 ²²
2-7/8"	T25-190	T25-280	T25-290 ²²	T25-320	T25-390 ²²	T25-490 ²²
4"	T35-190	T35-280	T35-290 ²²	T35-320	T35-390 ²²	T35-490 ²²

OUTDOOR

KAD-M-S