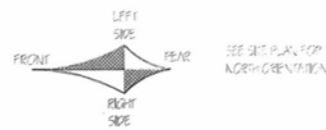


FLOOR PLAN - MIRRORED METRO Ma-5 MODEL
 SCALE: 1/4" = 1'-0"
 3,982 Square Feet



- 1 - 6\"/>

- 11 - 2\"/>

RECEIVED
 APR 03 2012

Rapid City Community Planning
 & Development Services

Date	Revision	By

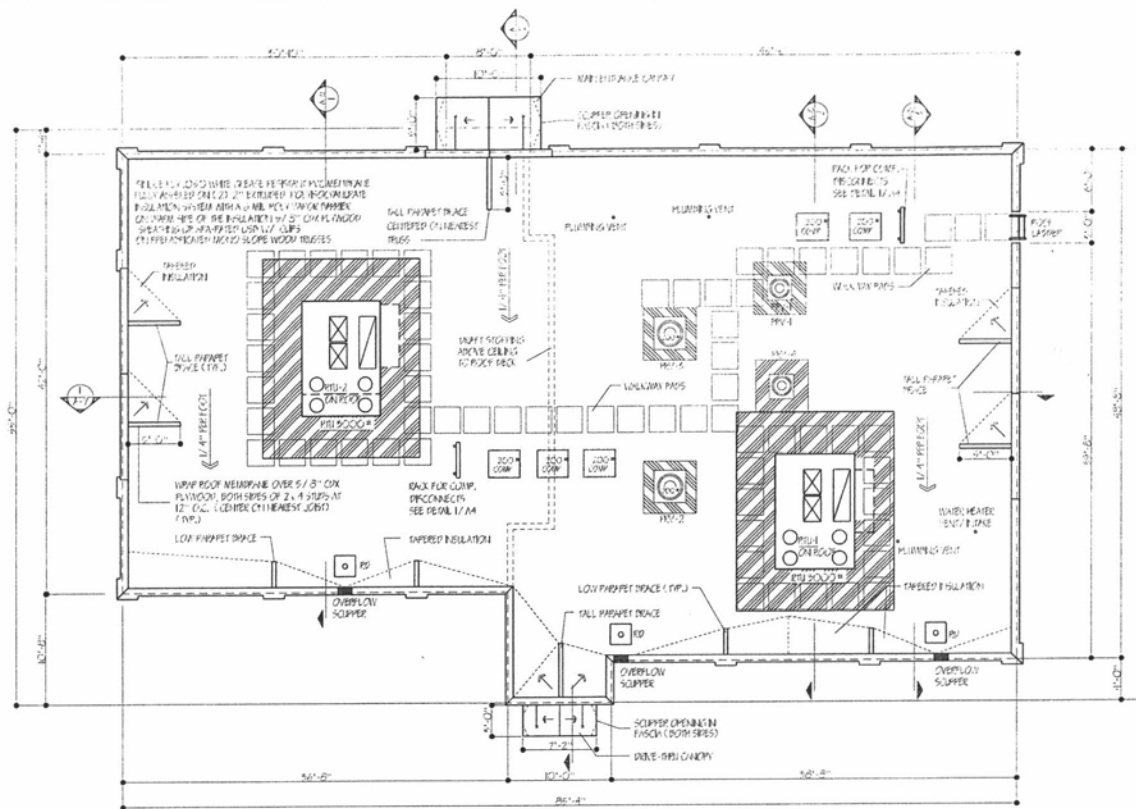
Culver Franchising System, Inc.
 1240 Water Street
 Prairie du Sac, WI 53578
 608-643-7950

CULVER FRANCHISING SYSTEM, INC.
MIRRORED METRO Ma-5
PROTOTYPE PLANS

Sheet Contents
FLOOR PLAN
Drawn by: M. Propp, Metro Ma-5
Check by: [blank]
Date: February, 2010

Sheet:
A-2
 of Ten

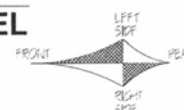
WARNING: These plans are for site exclusive use only. No part of these plans or the design they represent may be duplicated or reproduced without permission of Culver Franchising System, Inc.



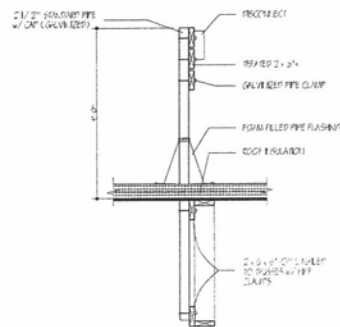
ROOF PLAN - MIRRORED METRO Ma-5 MODEL

SCALE: 1/8" = 1'-0"

SEE SITE PLAN FOR NORTH ORIENTATION

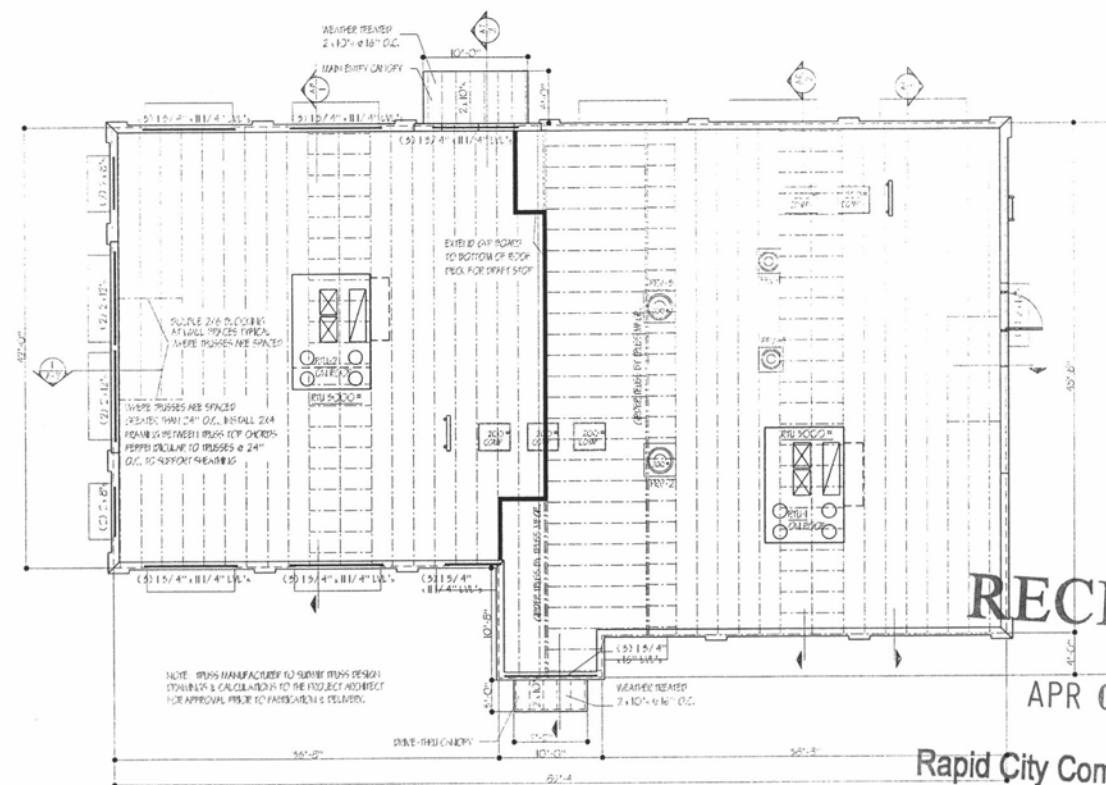


HATCHED AREAS ON ROOF INDICATE AREAS WHERE EXHAUST FANS AND PLUMBING VENTS ARE PROHIBITED



1 DISCONNECT BRACKET DETAIL
A-4
SCALE: 3/4" = 1'-0"

NOTE: CONTACT
TRUS JOIST - A WEYERHAEUSER BUSINESS
ATTN: JOHN SIFFLE
6460 BUSCH BLVD, SUITE 200
COLUMBUS, OH 43229
(866) 257-6775 TOLL FREE



ROOF FRAMING PLAN - MIRRORED METRO Ma-5 MODEL

SCALE: 1/8" = 1'-0"

SEE SITE PLAN FOR NORTH ORIENTATION



RECEIVED

APR 03 2012

Rapid City Community Planning & Development Services

WARNING: These plans are for the exclusive use of Culver Franchising Systems, Inc. and authorized franchise holders only. No part of these plans or the design they represent may be duplicated or reproduced without permission of Culver Franchising System, Inc.

Date	Revision	By

Culver Franchising System, Inc.
1240 Water Street
Prairie du Sac, WI 53578
608-643-7980



CULVER FRANCHISING SYSTEM, INC.
MIRRORED METRO Ma-5
PROTOTYPE PLANS

Sheet Contents:

ROOF PLAN
Project No. Mirrored Metro Ma-5
Drawn By:
Date: February, 2010

Sheet
A-4
of Ten