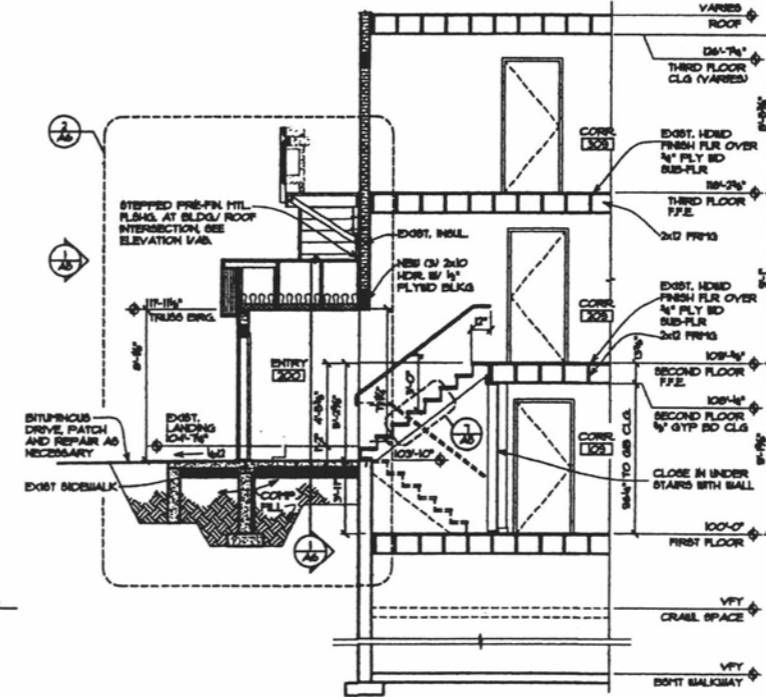
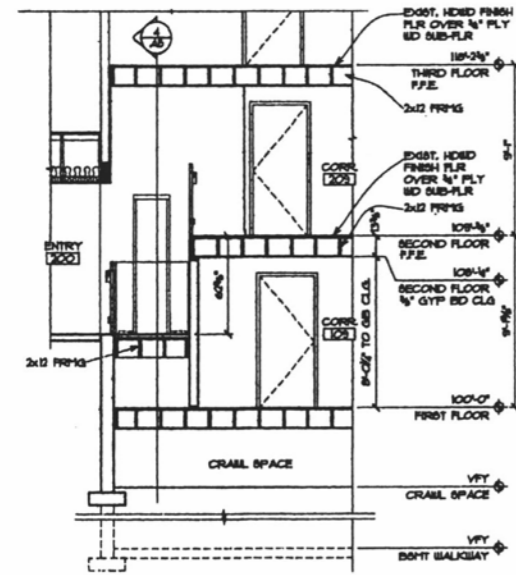


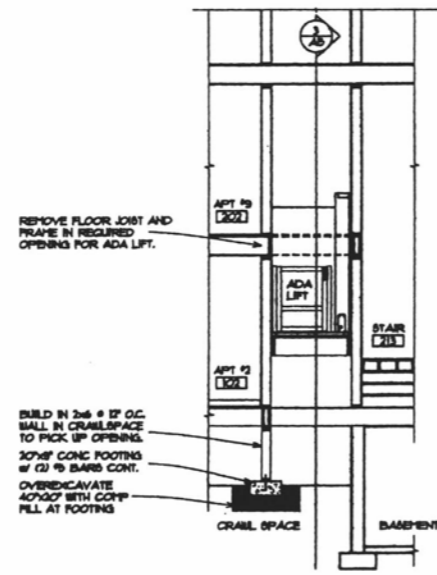
1 EXTERIOR ELEVATION
A5 SCALE 1/4"=1'-0"



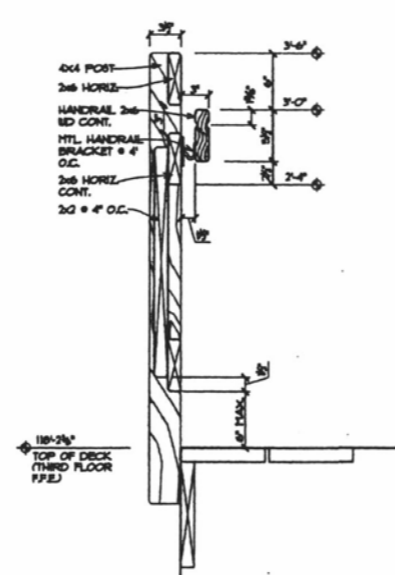
2 STAIR SECTION
A5 SCALE 1/4"=1'-0"



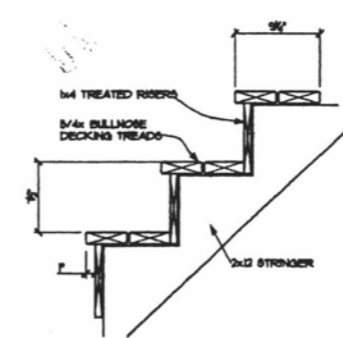
3 LIFT SECTION
A5 SCALE 1/4"=1'-0"



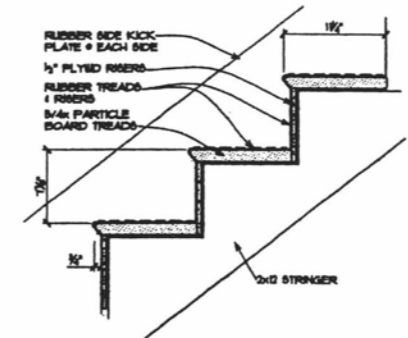
4 LIFT SECTION
A5 SCALE 1/4"=1'-0"



5 HANDRAIL SECTION
A5 SCALE 1/2"=1'-0"



6 STAIR SECTION
A5 SCALE 1/2"=1'-0" FIRE ESCAPE



7 STAIR SECTION
A5 SCALE 1/2"=1'-0" INTERIOR STAIR @ ENTRY 200

OUENS APARTMENT BUILDING REMODEL
 603 QUINCY STREET RAPID CITY, SD 57101
 DATE: 2-03-12
 DRAWN BY: CD
 CHECKED BY: 11-011
 PROJECT: STAIR SECTIONS AND DETAILS

1821 SHERIDAN LAKE ROAD
 RAPID CITY, SOUTH DAKOTA 57702-3423
 605-348-3350
 ARCHITECTURE • INTERIOR DESIGN • PLANNING
LUND ASSOCIATES
 LTD.



A5