

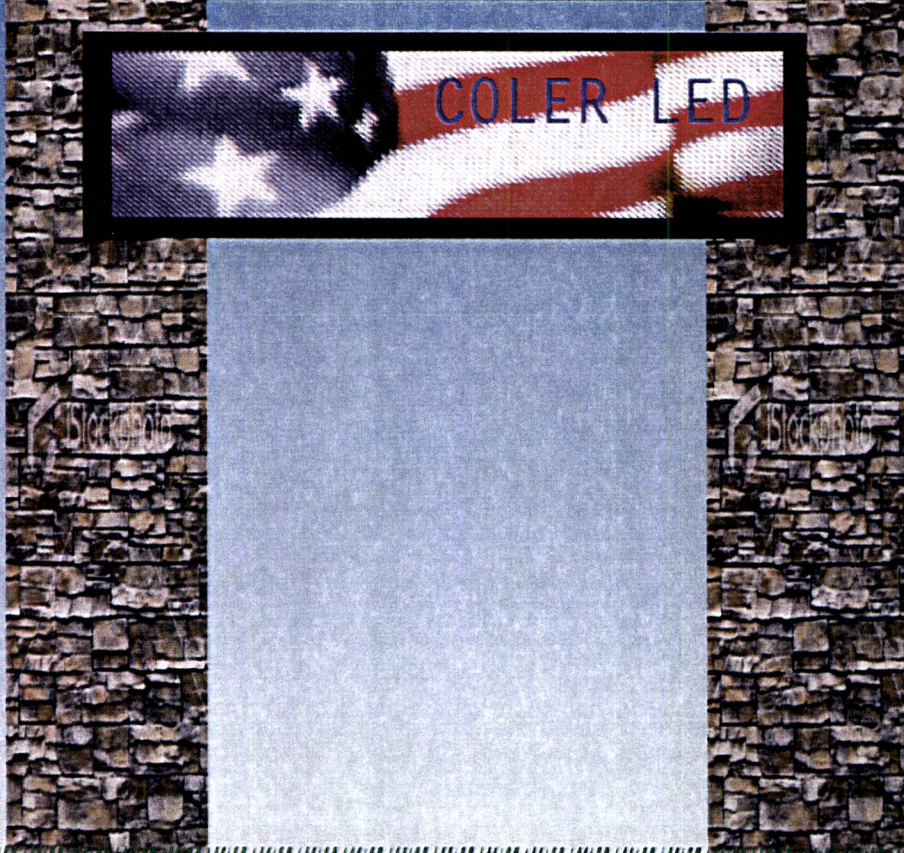
RECEIVED

AUG 9 2010

45' Tall

Each Sign 15'x15'

Management Department



605-342-0481
 Fax: 605-342-9474
 1650 Samco Road
 Rapid City, S.D. 57702

ROSENBAUM'S
SIGNS
 and Outdoor Adv. Inc.

*Signing Rapid City
 With Pride
 Since 1928*



JAN 16 2012

Rapid City Community Planning
 & Development Services

A handwritten signature in black ink, appearing to be 'K. A. ...'.

X



CAMBRIA SUITES

BY CHOICE HOTELS

CAMBRIA SUITES Signage Manual

Generation 1.4

RECEIVED

JAN 16 2012

Rapid City Community Planning
& Development Services

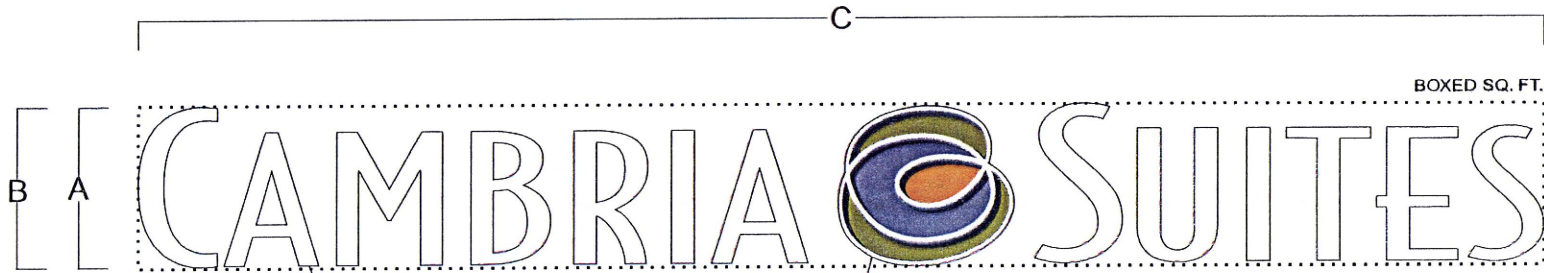


RECEIVED

AUG 15 2010

Rapid City, South Dakota
Planning Department

KCA



3/16" #7328 WHITE ACRYLIC FACES

- 3/16" #7328 WHITE ACRYLIC W/ 1ST SURFACE VINYL DECORATION:
- ARLON #3009 (2-LAYERS) BLUE - LOGO DROP SHADOWS
 - ARLON #3008 LIME GREEN - TOP & BOTTOM LOGO CENTERS
 - ARLON #3039 LIGHT BLUE - MIDDLE LOGO CENTER
 - ARLON #3040 ORANGE - LOGO CENTER
 - WHITE - LOGO OUTLINE

RECEIVED

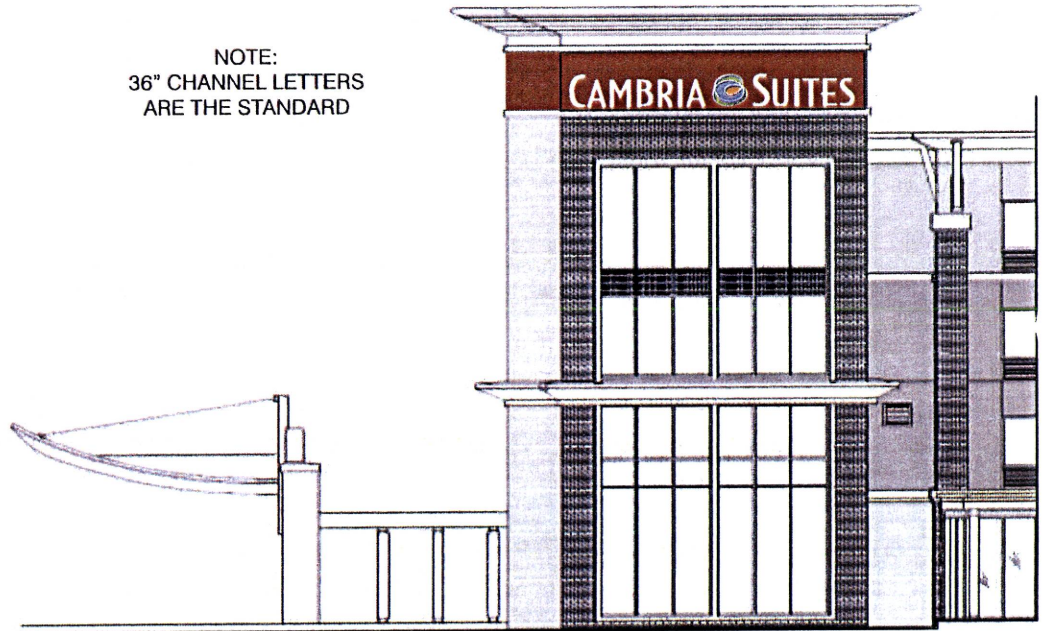
JAN 16 2012

Rapid City Community Planning
& Development Services

CAMBRIA SUITES IN-LINE LED INTERNAL CHANNEL LETTERS WITH LOGO					
LETTER HEIGHT "C"	LOGO HEIGHT	OVERALL LENGTH	AMP LOAD	BOXED SQUARE FOOTAGE	ACTUAL SQUARE FOOTAGE
A	B	C			
36"	36"	25'-9 11/16"	5.86	78.49	30.36

NOTE:
36" CHANNEL LETTERS
ARE THE STANDARD

CAMBRIA SUITES IN-LINE LED REMOTE CHANNEL LETTERS WITH LOGO					
LETTER HEIGHT "C"	LOGO HEIGHT	OVERALL LENGTH	AMP LOAD	BOXED SQUARE FOOTAGE	ACTUAL SQUARE FOOTAGE
A	B	C			
36"	36"	25'-9 11/16"	4.25	78.49	30.36



Customer: CAMBRIA SUITES	Date: 9-9-09	Prepared By: MR/CM	<small>Note: Color output may not be exact when viewing or printing this drawing. All colors used are PMS or the closest CMYK equivalent. If these colors are incorrect, please provide the correct PMS match and a revision to this drawing will be made.</small>
Location: VARIOUS	File Name: CAMBRIA SIGNAGE MANUAL - R5	Eng: X	

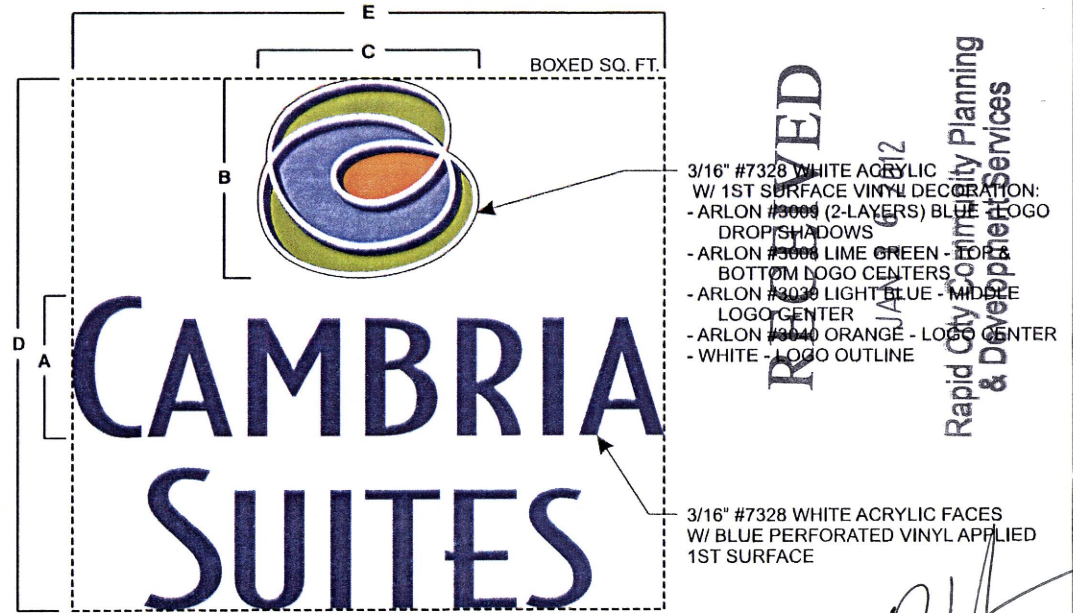


DISTRIBUTED BY SIGN UP COMPANY
700 21st STREET SOUTHWEST
PO BOX 210
WATERTOWN, SD 57201-0210

CAMBRIA SUITES STACKED LED INTERNAL CHANNEL LETTERS WITH LOGOS							
LETTER HEIGHT ""	LOGO HEIGHT	LOGO LENGTH	OVERALL HEIGHT	OVERALL LENGTH	AMP LOAD	BOXED SQUARE FOOTAGE	ACTUAL SQUARE FOOTAGE
A	B	C	D	E			
18"	2'-1 3/8"	2'-3 5/8"	5'-7 3/8"	6'-1 13/16"	4.48	34.54	9.53
24"	2'-9 7/8"	3'-0 7/8"	7'-5 13/16"	8'-2 7/16"	5.33	61.41	16.94

LETTERS ARE BLUE DURING THE DAY & LIGHT WHITE AT NIGHT

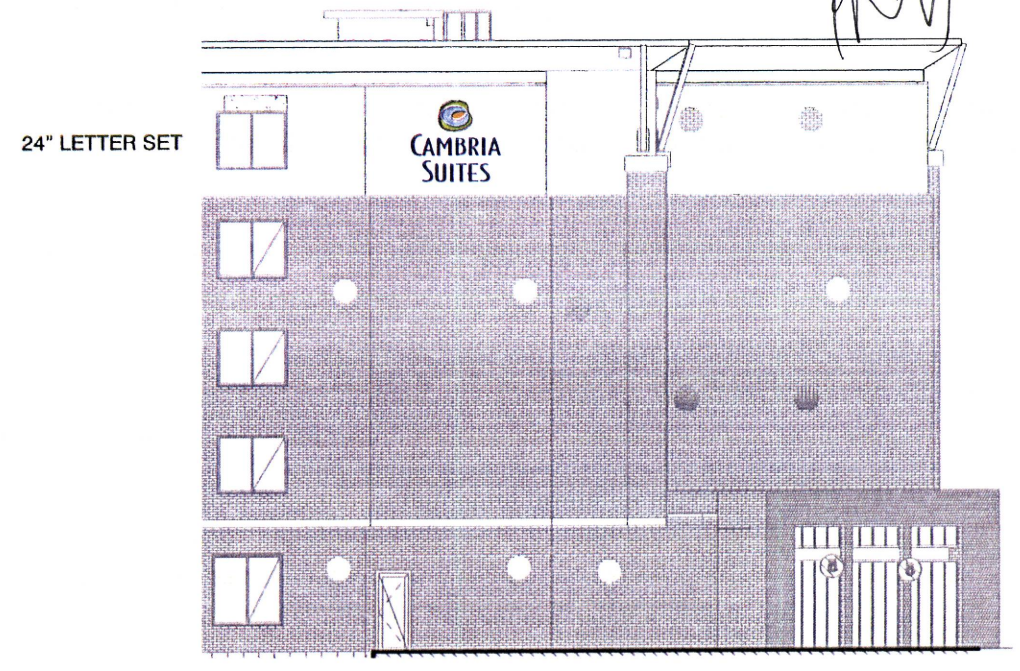
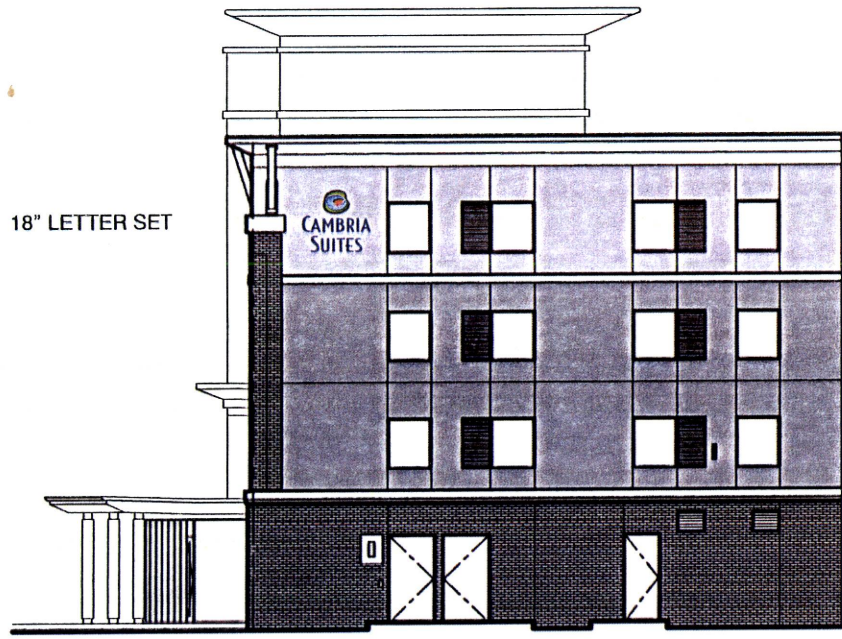
CAMBRIA SUITES STACKED REMOTE LED CHANNEL LETTERS WITH LOGOS							
LETTER HEIGHT ""	LOGO HEIGHT	LOGO LENGTH	OVERALL HEIGHT	OVERALL LENGTH	AMP LOAD	BOXED SQUARE FOOTAGE	ACTUAL SQUARE FOOTAGE
A	B	C	D	E			
18"	2'-1 3/8"	2'-3 5/8"	5'-7 3/8"	6'-1 13/16"	4.48	34.54	9.53
24"	2'-9 7/8"	3'-0 7/8"	7'-5 13/16"	8'-2 7/16"	5.33	61.41	16.94



- 3/16" #7328 WHITE ACRYLIC W/ 1ST SURFACE VINYL DECORATION:
- ARLON #3000 (2-LAYERS) BLUE LOGO DROPSHADOWS
- ARLON #3000 LIME GREEN - TOP BOTTOM LOGO CENTERS
- ARLON #3030 LIGHT BLUE - MIDDLE LOGO CENTER
- ARLON #3040 ORANGE - LOGO CENTER
- WHITE - LOGO OUTLINE

3/16" #7328 WHITE ACRYLIC FACES W/ BLUE PERFORATED VINYL APPLIED 1ST SURFACE

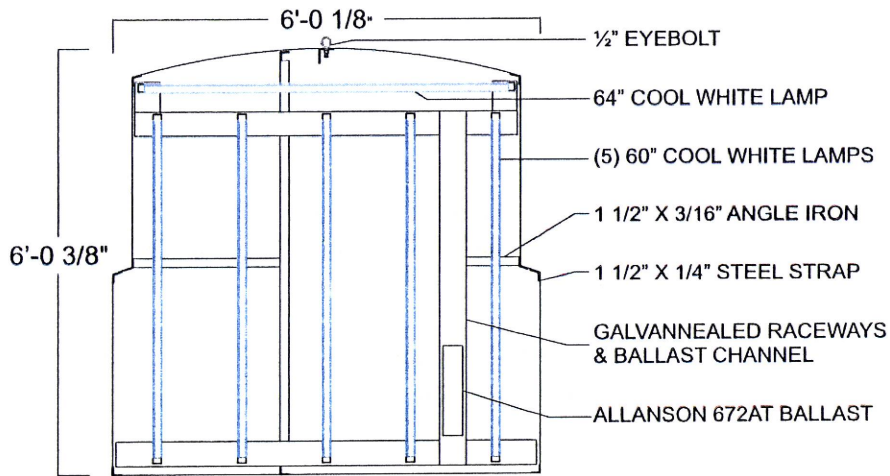
RECEIVED
 JUN 12
 Rapid City Community Planning & Development Services



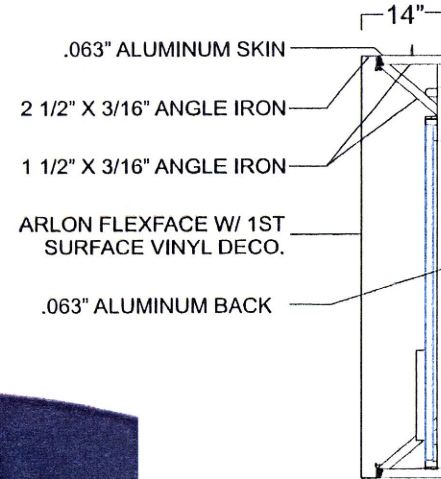
Customer: CAMBRIA SUITES	Date: 9-9-09	Prepared By: MR/CM	Note: Color output may not be exact when viewing or printing this drawing. All colors used are PMS or the closest CMYK equivalent. If these colors are incorrect, please provide the correct PMS match and a revision to this drawing will be made.	Eng: X
Location: VARIOUS	File Name: CAMBRIA SIGNAGE MANUAL - R5			



DISTRIBUTED BY SIGN UP COMPANY
 700 21st STREET SOUTHWEST
 PO BOX 210
 WATERTOWN, SD 57201-0210



FRAME & LAMP DETAIL
SCALE: 3/8" = 1'



CROSS SECTION
SCALE: 3/8" = 1'

RECEIVED

JAN 16 2012

Rapid City Community Planning
& Development Services



GRAPHIC DETAIL
SCALE: 3/8" = 1'

FACE DECORATION:

- ARLON #3009 BLUE (2-LAYERS) - BACKGROUND, LOGO DROP SHADOWS, & "BY CHOICE HOTELS" COPY
- ARLON #3008 LIME GREEN - TOP & BOTTOM LOGO CENTERS
- ARLON #3039 LIGHT BLUE - MIDDLE LOGO CENTER
- ARLON #3040 ORANGE - LOGO CENTER
- ARLON #3007 (5570 SERIES) GRAY (OPAQUE) - "BY CHOICE HOTELS" BACKGROUND
- WHITE - "CAMBRIA SUITES" COPY AND LOGO OUTLINE

FRAME NOTES:

- DESIGN FACTOR: 30 PSF
- INTERIOR FINISH: PRIMED WHITE
- EXTERIOR FINISH: PAINT TO MATCH:
 - ARLON #3009 ON "CAMBRIA SUITES" PORTION AND PMS 421 FOR "BY CHOICE HOTELS" BACKGROUND
- SKINS REMOVABLE FOR SERVICE
- DRILL 3/8" MOUNTING HOLES THROUGH PERIMETER AND BACK BRACE
- ELECTRICAL: 4.20 AMPS; 120 VOLTS
- U.L. APPROVED



6'-0 3/8" X 6'-0 1/8"
SINGLE FACE

Customer: CAMBRIA SUITES

Date: 9-15-09

Prepared By: MR-CM-MR

Note: Color output may not be exact when viewing or printing this drawing. All colors used are PMS or the closest CMYK equivalent. If these colors are incorrect, please provide the correct PMS match and a revision to this drawing will be made.

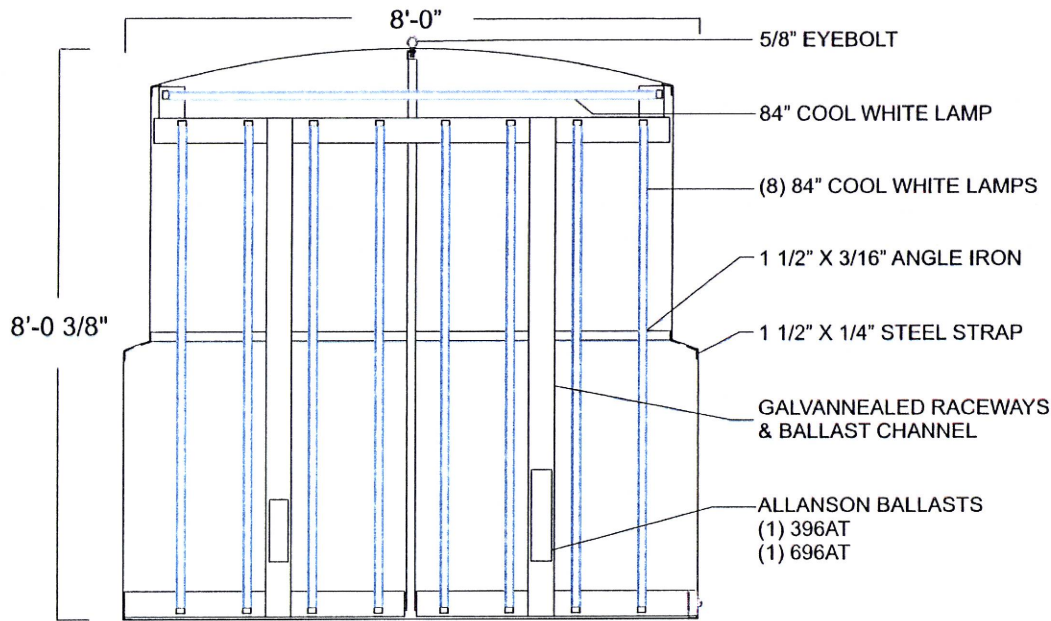
Location: VARIOUS

File Name: CAMBRIA SIGNAGE MANUAL - R5

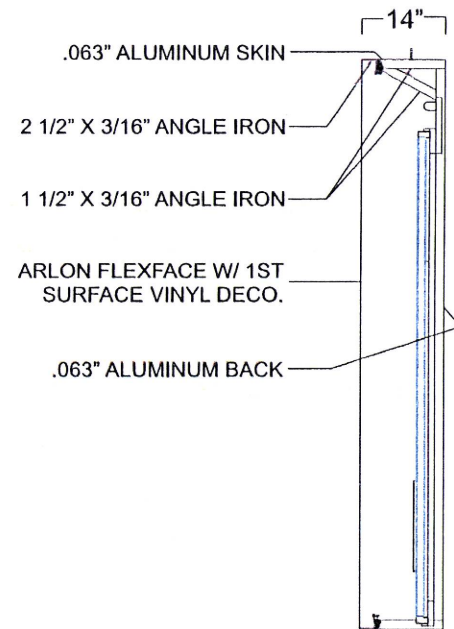
Eng: X



DISTRIBUTED BY SIGN UP COMPANY
700 21st STREET SOUTHWEST
PO BOX 210
WATERTOWN, SD 57201-0210



FRAME & LAMP DETAIL
SCALE: 3/8" = 1'



CROSS SECTION
SCALE: 3/8" = 1'

FRAME NOTES:

DESIGN FACTOR: 30 PSF
 INTERIOR FINISH: PRIMED WHITE
 EXTERIOR FINISH: PAINT TO MATCH:
 ARLON #3009 ON "CAMBRIA SUITES"
 PORTION AND PMS 421 FOR "BY
 CHOICE HOTELS" BACKGROUND
 SKINS REMOVABLE FOR SERVICE
 DRILL 3/8" MOUNTING HOLES THROUGH
 PERIMETER AND BACK BRACE
 ELECTRICAL: 7.00 AMPS; 120 VOLTS
 U.L. APPROVED

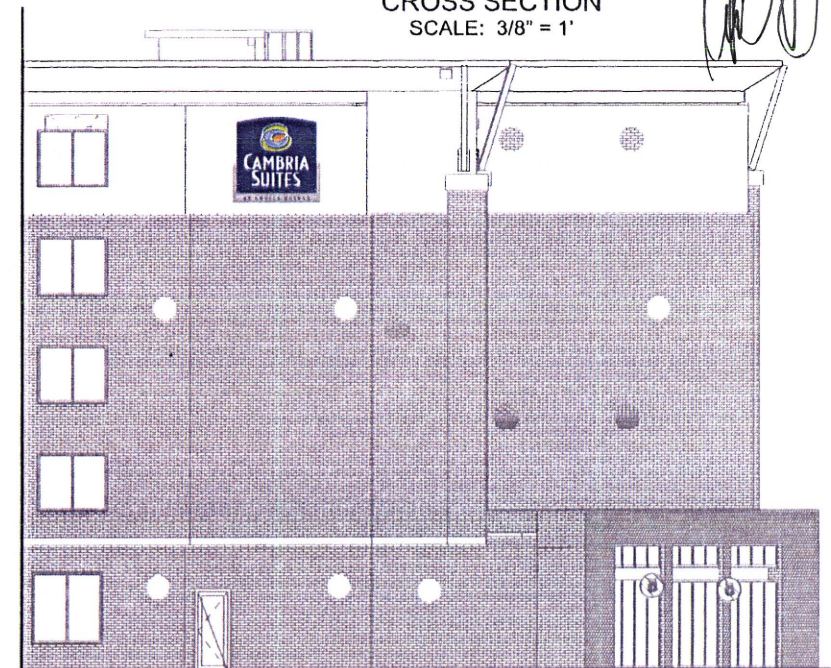
FACE DECORATION:

ARLON #3009 BLUE (2-LAYERS) - BACKGROUND,
 LOGO DROP SHADOWS, & "BY CHOICE HOTELS"
 COPY
 ARLON #3008 LIME GREEN - TOP & BOTTOM LOGO
 CENTERS
 ARLON #3039 LIGHT BLUE - MIDDLE LOGO CENTER
 ARLON #3040 ORANGE - LOGO CENTER
 ARLON #3007 (5570 SERIES) GRAY (OPAQUE) -
 "BY CHOICE HOTELS" BACKGROUND
 WHITE - "CAMBRIA SUITES" COPY AND LOGO
 OUTLINE

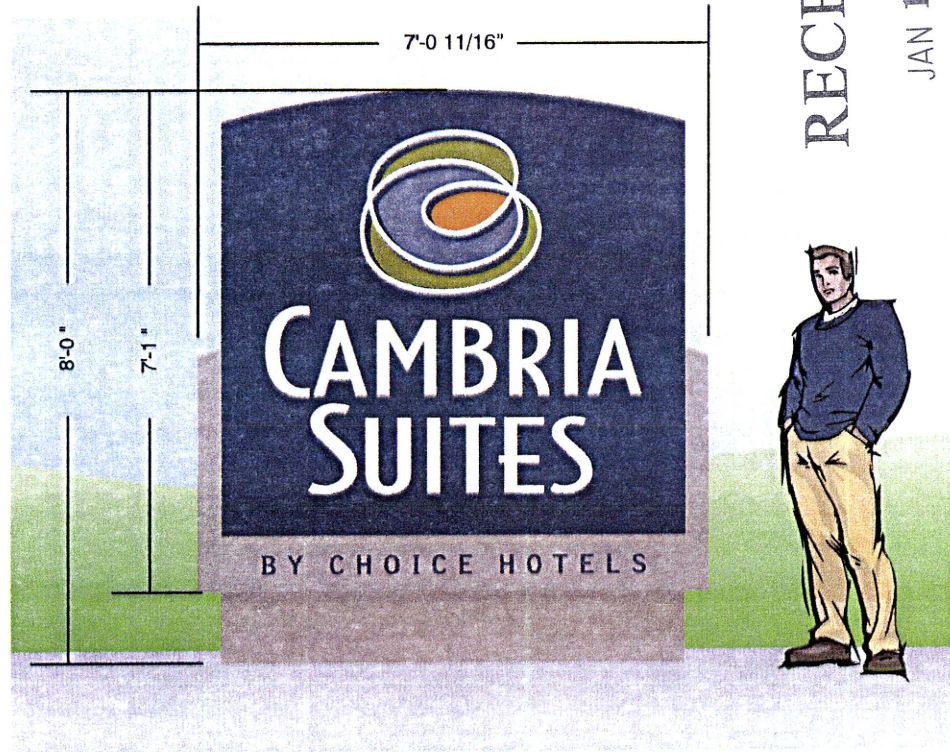
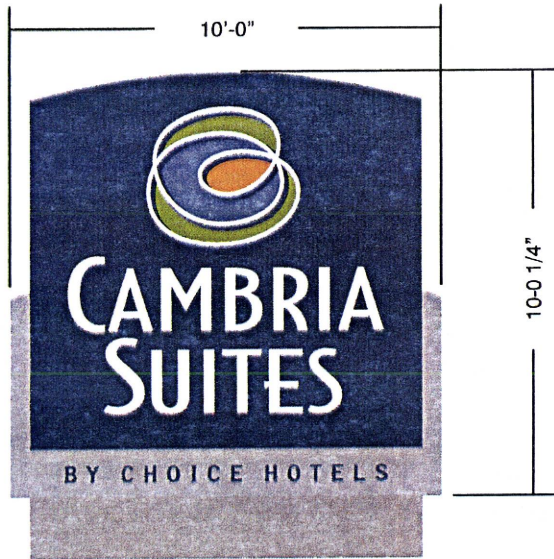
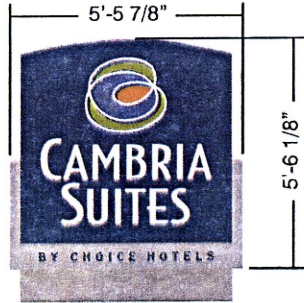
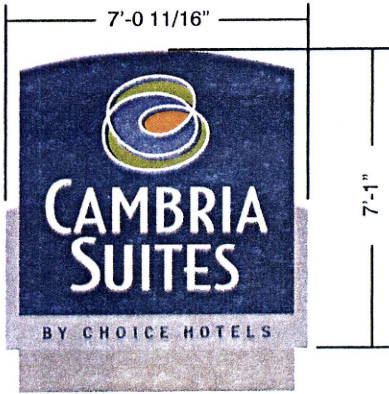


GRAPHIC DETAIL
SCALE: 1/4" = 1'

RECEIVED
 JAN 16 2012
 Rapid City Community Planning
 & Development Services



Customer: CAMBRIA SUITES	Date: 9-15-09	Prepared By: MR	<small>Note: Color output may not be exact when viewing or printing this drawing. All colors used are PMS or the closest CMYK equivalent. If these colors are incorrect, please provide the correct PMS match and a revision to this drawing will be made.</small>		DISTRIBUTED BY SIGN UP COMPANY 700 21st STREET SOUTHWEST PO BOX 210 WATERTOWN, SD 57201-0210
Location: VARIOUS	File Name: CAMBRIA SIGNAGE MANUAL - R5	Eng: X			




DOUBLE FACE MONUMENT

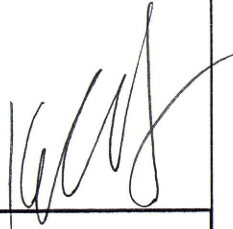
RECEIVED

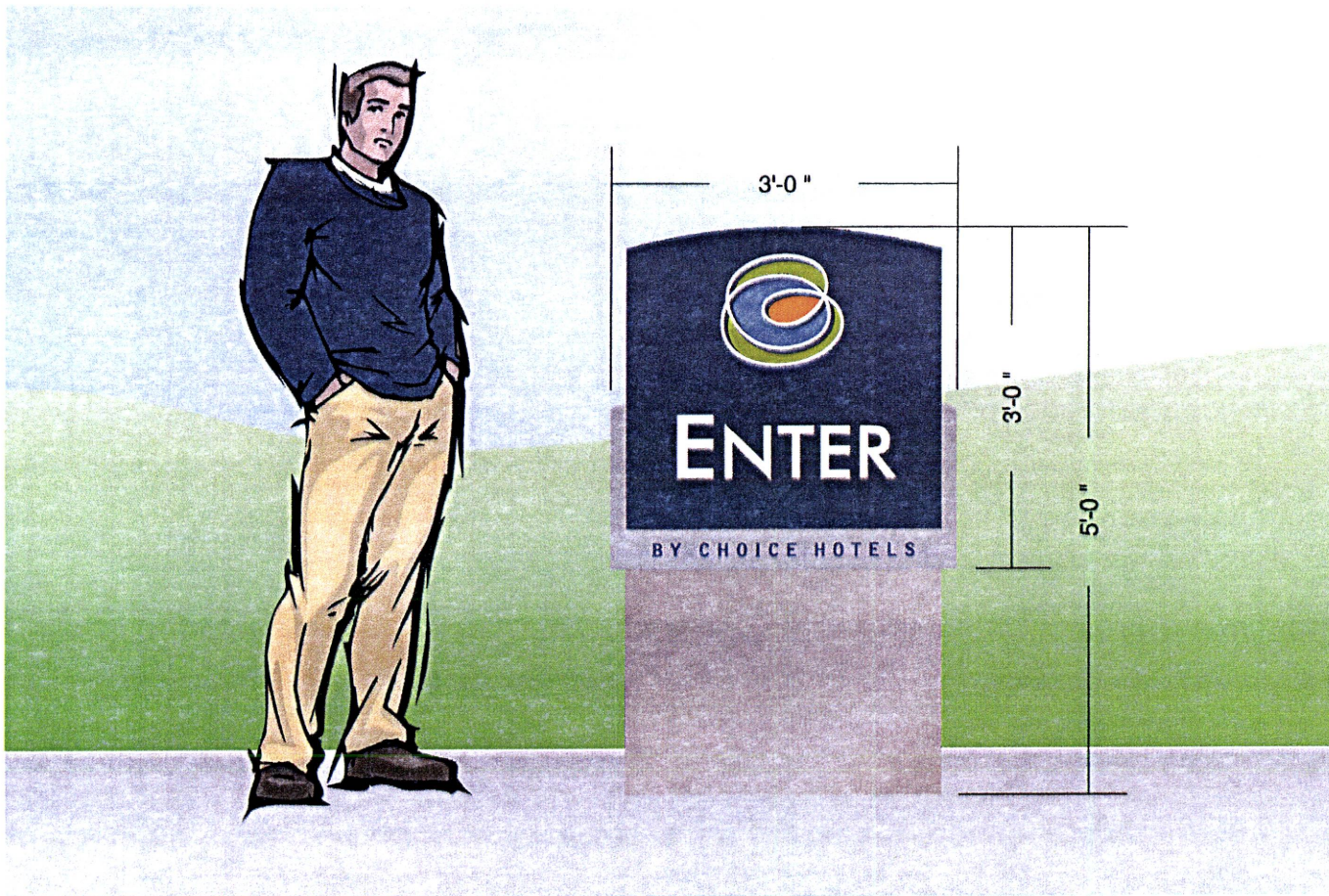
JAN 16 2012

Rapid City Community Planning
& Development Services



Customer: CAMBRIA SUITES	Date: 8-14-09	Prepared By: MR	Note: Color output may not be exact when viewing or printing this drawing. All colors used are PMS or the closest CMYK equivalent. If these colors are incorrect, please provide the correct PMS match and a revision to this drawing will be made.	 Ph./ 1-800-843-9888	DISTRIBUTED BY SIGN UP COMPANY 700 21st STREET SOUTHWEST PO BOX 210 WATERTOWN, SD 57201-0210
Location: VARIOUS	File Name: CAMBRIA SIGNAGE MANUAL - R5	Eng: X			






DOUBLE FACE DIRECTIONAL

RECEIVED

JAN 16 2012

Rapid City Community Planning
& Development Services

Customer: CAMBRIA SUITES	Date: 8-14-09	Prepared By: MR	Note: Color output may not be exact when viewing or printing this drawing. All colors used are PMS or the closest CMYK equivalent. If these colors are incorrect, please provide the correct PMS match and a revision to this drawing will be made.	 Ph./ 1-800-843-9888	DISTRIBUTED BY SIGN UP COMPANY 700 21st STREET SOUTHWEST PO BOX 210 WATERTOWN, SD 57201-0210
Location: VARIOUS	File Name: CAMBRIA SIGNAGE MANUAL - R5		Eng: X		