

page 2 of 2
Jan 14, 2011
Re: John Ashley

RECEIVED

NEW YORK CLASSIC

JAN 14 2011

3D VIEW

WATER FILL

Rapid City Growth
Management Department

STORE & DISPLAY

WATER TANK 5 GAL.

AUTHENTIC
WING SHELVES

MAY 13 2011

UMBRELLA POLE HOLDER

SWIVELLING GOOSE NECK
FAUCET

Rapid City Growth
Management Department

3 X SINKS WITH
HOT & COLD WATER

BUILT IN SQUEEZE BOTTLE
RACK

LARGE ICE BOX

BUILT IN STAINLESS
CONDIMENT TRAYS
WITH SLOTTED LIDS

3 X STEAM PANS
WITH LIDS

DOUBLE
PROPANE BASKETS

CURLY HANDLES
(LIKE THE ORIGINAL)

OPTIONAL ROLL TOP
STAINLESS STEEL COVER

VENTS

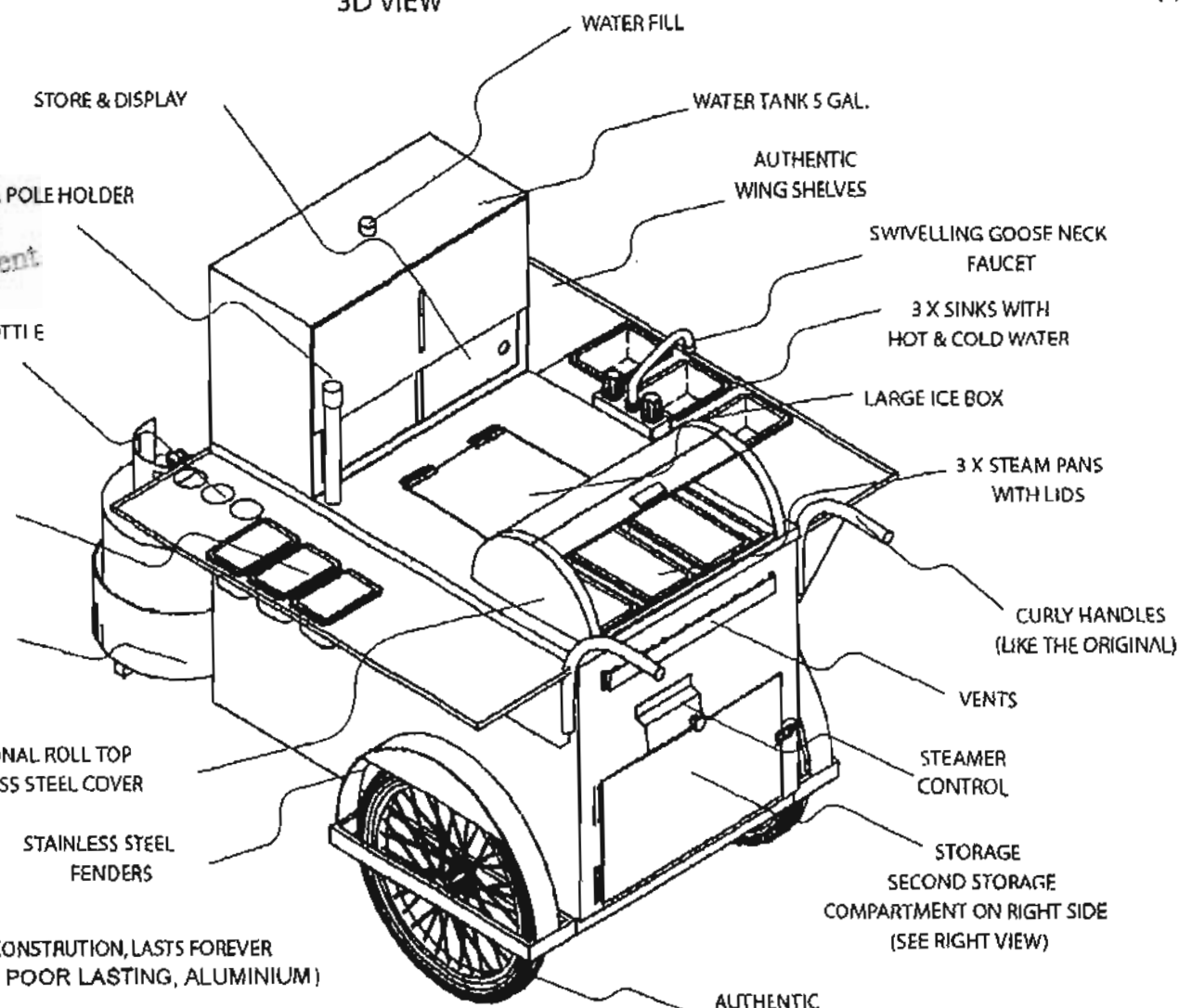
STEAMER
CONTROL

STAINLESS STEEL
FENDERS

STORAGE
SECOND STORAGE
COMPARTMENT ON RIGHT SIDE
(SEE RIGHT VIEW)

STAINLESS STEEL CONSTRUTION, LASTS FOREVER
(NO CHEAP, POOR LASTING, ALUMINIUM)

AUTHENTIC
19" CARRIAGE WHEELS



p.2

905.454.3903

Robert McKinstry

Jan 14 11 01:26p