

RECEIVED

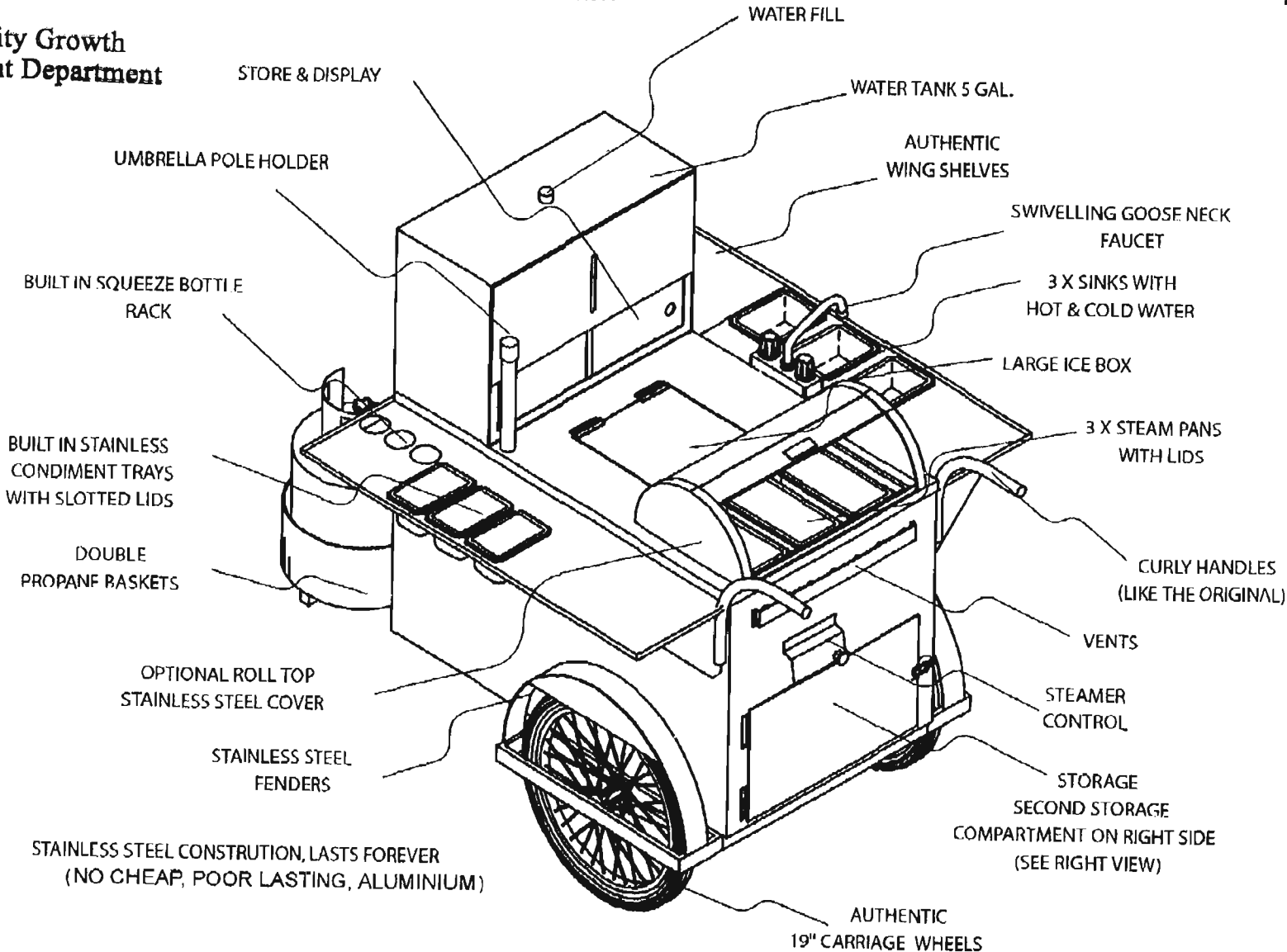
NEW YORK CLASSIC

PAGE 2072
Jan 14, 2011
Re: John Ashley

JAN 14 2011

3D VIEW

Rapid City Growth
Management Department



STORE & DISPLAY

WATER FILL

WATER TANK 5 GAL.

AUTHENTIC WING SHELVES

SWIVELLING GOOSE NECK FAUCET

3 X SINKS WITH HOT & COLD WATER

LARGE ICE BOX

3 X STEAM PANS WITH LIDS

CURLY HANDLES (LIKE THE ORIGINAL)

VENTS

STEAMER CONTROL

STORAGE SECOND STORAGE COMPARTMENT ON RIGHT SIDE (SEE RIGHT VIEW)

AUTHENTIC 19" CARRIAGE WHEELS

UMBRELLA POLE HOLDER

BUILT IN SQUEEZE BOTTLE RACK

BUILT IN STAINLESS CONDIMENT TRAYS WITH SLOTTED LIDS

DOUBLE PROPANE BASKETS

OPTIONAL ROLL TOP STAINLESS STEEL COVER

STAINLESS STEEL FENDERS

STAINLESS STEEL CONSTRUCTION, LASTS FOREVER (NO CHEAP, POOR LASTING, ALUMINIUM)

p.2

905.454.3903

Robert McKinstry

Jan 14 11 01:26p