



# CAMBRIA SUITES

BY CHOICE HOTELS

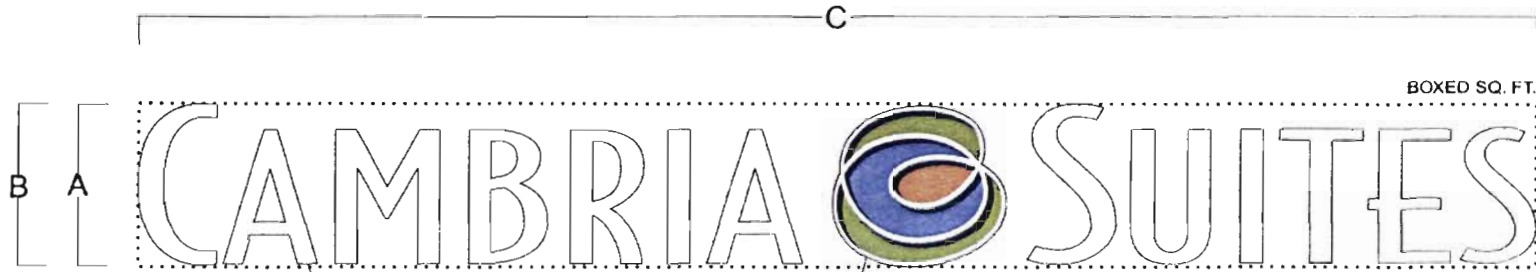
## CAMBRIA SUITES Signage Manual Generation 1.4



RECEIVED

AUG 27 2010

Region 5, Growth  
10000 10000



BOXED SQ. FT.

3/16" #7328 WHITE ACRYLIC FACES

3/16" #7328 WHITE ACRYLIC W/ 1ST SURFACE VINYL DECORATION:  
 - ARLON #3009 (2-LAYERS) BLUE - LOGO DROP SHADOWS  
 - ARLON #3008 LIME GREEN - TOP & BOTTOM LOGO CENTERS  
 - ARLON #3039 LIGHT BLUE - MIDDLE LOGO CENTER  
 - ARLON #3040 ORANGE - LOGO CENTER  
 - WHITE - LOGO OUTLINE

**CAMBRIA SUITES IN-LINE LED INTERNAL CHANNEL LETTERS WITH LOGO**

LETTER HEIGHT "C"	LOGO HEIGHT	OVERALL LENGTH	AMP LOAD	BOXED SQUARE FOOTAGE	ACTUAL SQUARE FOOTAGE
A	B	C			
36"	36"	25'-9 11/16"	5.86	78.49	30.36

NOTE:  
36" CHANNEL LETTERS ARE THE STANDARD

**CAMBRIA SUITES IN-LINE LED REMOTE CHANNEL LETTERS WITH LOGO**

LETTER HEIGHT "C"	LOGO HEIGHT	OVERALL LENGTH	AMP LOAD	BOXED SQUARE FOOTAGE	ACTUAL SQUARE FOOTAGE
A	B	C			
36"	36"	25'-9 11/16"	4.25	78.49	30.36



Customer: CAMBRIA SUITES	Date: 9-9-09	Prepared By: MR/CM	<p><small>Note: Color output may not be exact when viewing or printing this drawing. All colors used are a PMS or the closest CMYK equivalent. If these colors are incorrect, please provide the correct PMS match and a revision to this drawing will be made.</small></p>
Location: VARIOUS	File Name: CAMBRIA SIGNAGE MANUAL - R5	Eng: X	



DISTRIBUTED BY SIGN UP COMPANY  
 700 21st STREET SOUTHWEST  
 PO BOX 210  
 WATERTOWN, SD 57201-0210

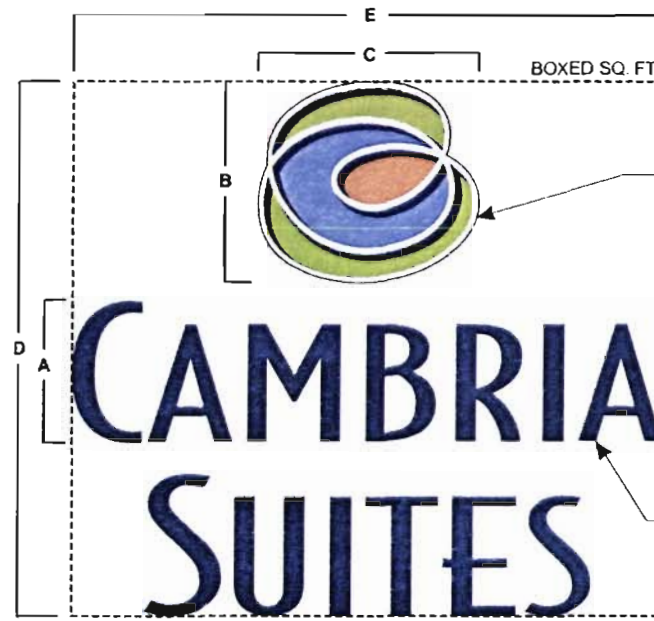
**CAMBRIA SUITES STACKED LED INTERNAL CHANNEL LETTERS WITH LOGOS**

LETTER HEIGHT ""	LOGO HEIGHT	LOGO LENGTH	OVERALL HEIGHT	OVERALL LENGTH	AMP LOAD	BOXED SQUARE FOOTAGE	ACTUAL SQUARE FOOTAGE
A	B	C	D	E			
18"	2-1 3/8"	2-3 5/8"	5-7 3/8"	6-1 13/16"	4.48	34.54	9.53
24"	2-9 7/8"	3-0 7/8"	7-5 13/16"	8-2 7/16"	5.33	61.41	16.94

LETTERS ARE BLUE DURING THE DAY & LIGHT WHITE AT NIGHT

**CAMBRIA SUITES STACKED REMOTE LED CHANNEL LETTERS WITH LOGOS**

LETTER HEIGHT ""	LOGO HEIGHT	LOGO LENGTH	OVERALL HEIGHT	OVERALL LENGTH	AMP LOAD	BOXED SQUARE FOOTAGE	ACTUAL SQUARE FOOTAGE
A	B	C	D	E			
18"	2-1 3/8"	2-3 5/8"	5-7 3/8"	6-1 13/16"	4.48	34.54	9.53
24"	2-9 7/8"	3-0 7/8"	7-5 13/16"	8-2 7/16"	5.33	61.41	16.94



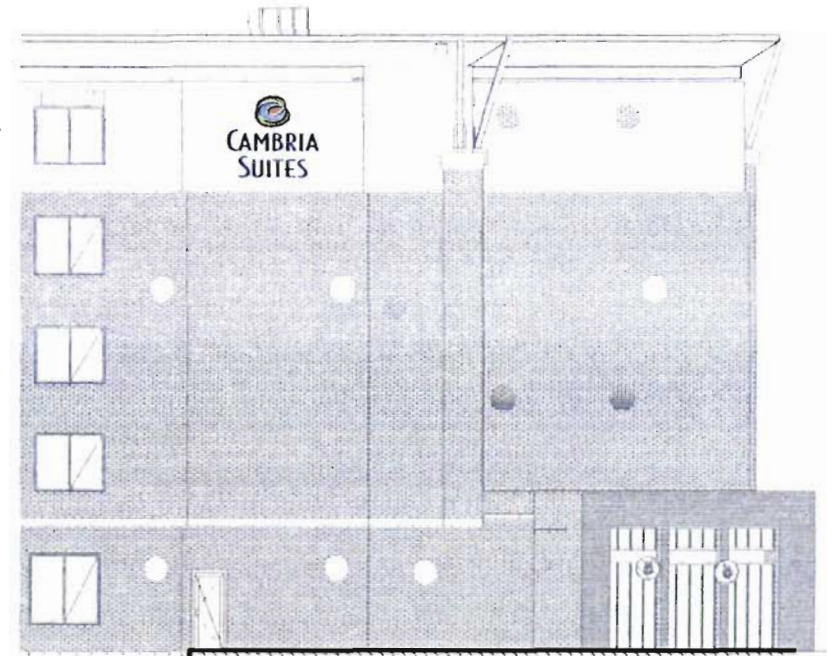
- 3/16" #7328 WHITE ACRYLIC W/ 1ST SURFACE VINYL DECORATION:
- ARLON #3009 (2-LAYERS) BLUE - LOGO DROP SHADOWS
- ARLON #3008 LIME GREEN - TOP & BOTTOM LOGO CENTERS
- ARLON #3039 LIGHT BLUE - MIDDLE LOGO CENTER
- ARLON #3040 ORANGE - LOGO CENTER
- WHITE - LOGO OUTLINE

3/16" #7328 WHITE ACRYLIC FACES W/ BLUE PERFORATED VINYL APPLIED 1ST SURFACE

18" LETTER SET



24" LETTER SET



Customer: CAMBRIA SUITES

Date: 9-9-09

Prepared By: MR/CM

Note: Color output may not be exact when viewing or printing this drawing. All colors used are PMS or the closest CMYK equivalent. If these colors are incorrect, please provide the correct PMS match and a revision to this drawing will be made.

Location: VARIOUS

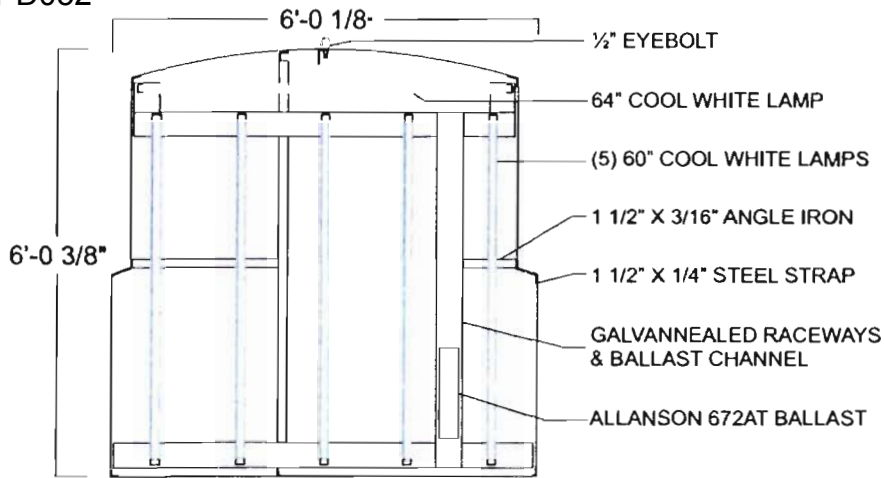
File Name: CAMBRIA SIGNAGE MANUAL - R5

Eng: X



DISTRIBUTED BY SIGN UP COMPANY  
700 21st STREET SOUTHWEST  
PO BOX 210  
WATERTOWN, SD 57201-0210

10PD052



FRAME & LAMP DETAIL  
SCALE: 3/8" = 1'



CROSS SECTION  
SCALE: 3/8" = 1'



GRAPHIC DETAIL  
SCALE: 3/8" = 1'



**FACE DECORATION:**

- ARLON #3009 BLUE (2-LAYERS) - BACKGROUND, LOGO DROP SHADOWS, & "BY CHOICE HOTELS" COPY
- ARLON #3008 LIME GREEN - TOP & BOTTOM LOGO CENTERS
- ARLON #3039 LIGHT BLUE - MIDDLE LOGO CENTER
- ARLON #3040 ORANGE - LOGO CENTER
- ARLON #3007 (5570 SERIES) GRAY (OPAQUE) - "BY CHOICE HOTELS" BACKGROUND
- WHITE - "CAMBRIA SUITES" COPY AND LOGO OUTLINE

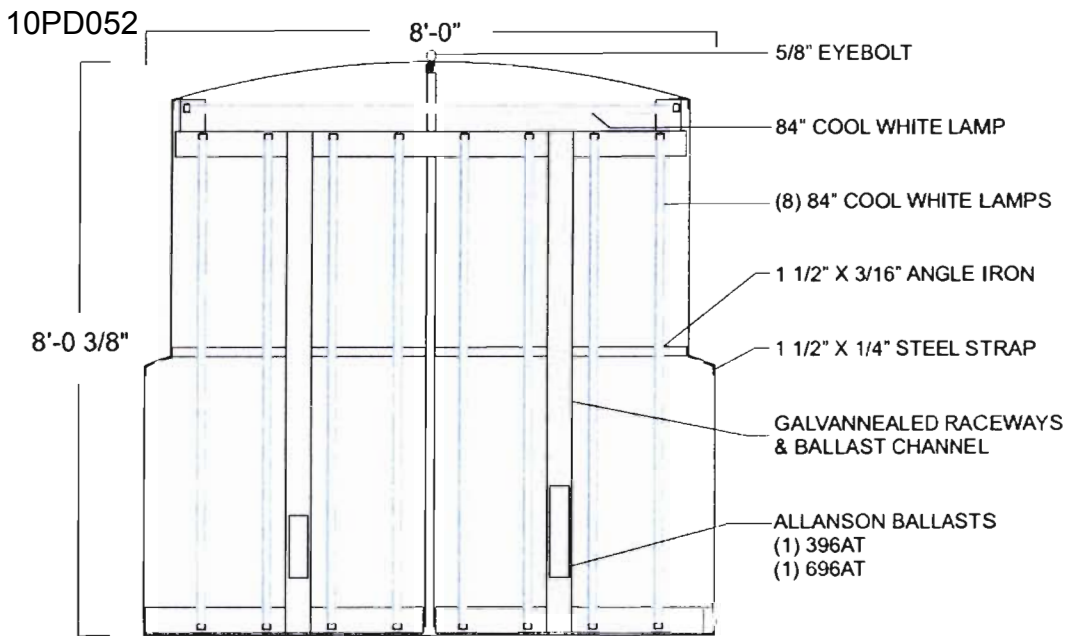
**FRAME NOTES:**

- DESIGN FACTOR: 30 PSF
- INTERIOR FINISH: PRIMED WHITE
- EXTERIOR FINISH: PAINT TO MATCH:
  - ARLON #3009 ON "CAMBRIA SUITES" PORTION AND PMS 421 FOR "BY CHOICE HOTELS" BACKGROUND
- SKINS REMOVABLE FOR SERVICE
- DRILL 3/8" MOUNTING HOLES THROUGH PERIMETER AND BACK BRACE
- ELECTRICAL: 4.20 AMPS; 120 VOLTS
- U.L. APPROVED

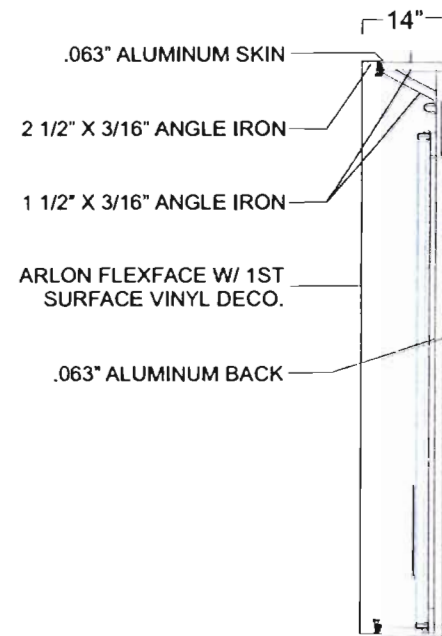
<b>Customer:</b> CAMBRIA SUITES	<b>Date:</b> 9-15-09	<b>Prepared By:</b> MR-CM-MR	<small>Note: Color output may not be exact when viewing or printing this drawing. All colors used are PMS or the closest CMYK equivalent. If these colors are incorrect, please provide the correct PMS match and a revision to this drawing will be made.</small>
<b>Location:</b> VARIOUS	<b>File Name:</b> CAMBRIA SIGNAGE MANUAL - R5	<b>Eng:</b> X	



DISTRIBUTED BY SIGN UP COMPANY  
700 21st STREET SOUTHWEST  
PO BOX 210  
WATERTOWN, SD 57201-0210



FRAME & LAMP DETAIL  
SCALE: 3/8" = 1'



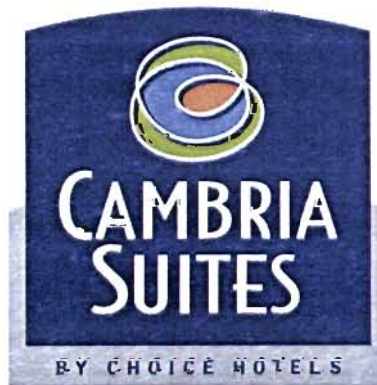
CROSS SECTION  
SCALE: 3/8" = 1'

**FRAME NOTES:**

DESIGN FACTOR: 30 PSF  
 INTERIOR FINISH: PRIMED WHITE  
 EXTERIOR FINISH: PAINT TO MATCH:  
 ARLON #3009 ON "CAMBRIA SUITES"  
 PORTION AND PMS 421 FOR "BY  
 CHOICE HOTELS" BACKGROUND  
 SKINS REMOVABLE FOR SERVICE  
 DRILL 3/8" MOUNTING HOLES THROUGH  
 PERIMETER AND BACK BRACE  
 ELECTRICAL: 7.00 AMPS; 120 VOLTS  
 U.L. APPROVED

**FACE DECORATION:**

ARLON #3009 BLUE (2-LAYERS) - BACKGROUND,  
 LOGO DROP SHADOWS, & "BY CHOICE HOTELS"  
 COPY  
 ARLON #3008 LIME GREEN - TOP & BOTTOM LOGO  
 CENTERS  
 ARLON #3039 LIGHT BLUE - MIDDLE LOGO CENTER  
 ARLON #3040 ORANGE - LOGO CENTER  
 ARLON #3007 (5570 SERIES) GRAY (OPAQUE) -  
 "BY CHOICE HOTELS" BACKGROUND  
 WHITE - "CAMBRIA SUITES" COPY AND LOGO  
 OUTLINE



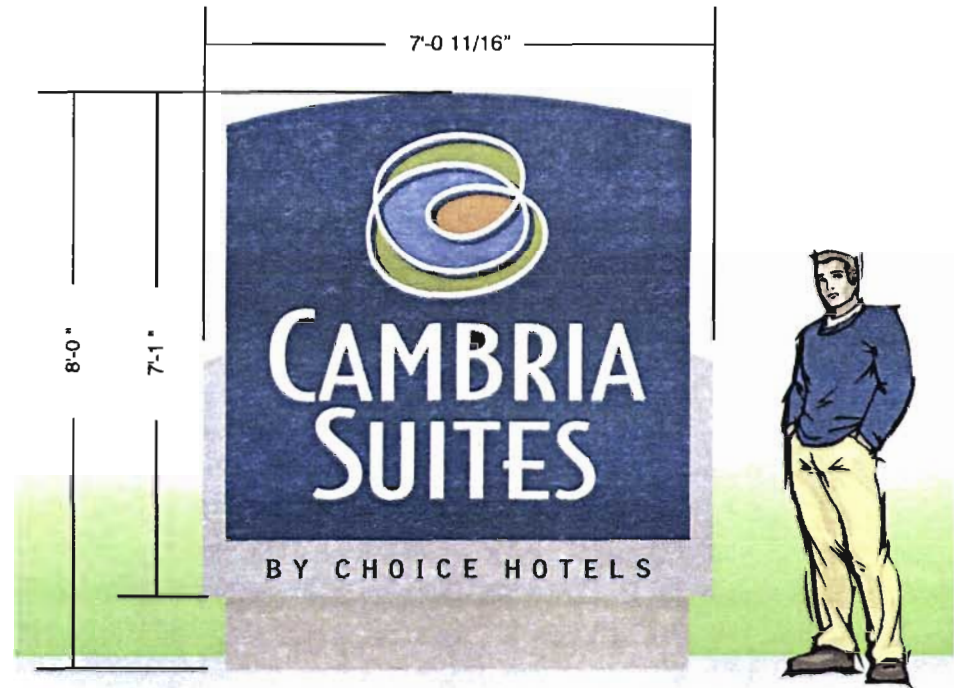
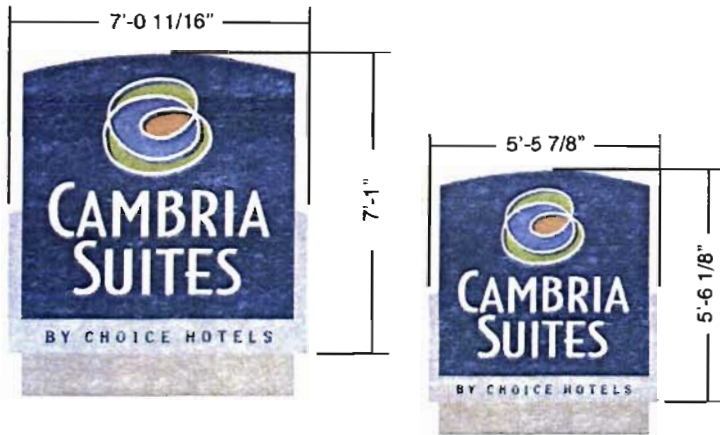
GRAPHIC DETAIL  
SCALE: 1/4" = 1'



Customer: CAMBRIA SUITES	Date: 9-15-09	Prepared By: MR	<small>Note: Color output may not be exact when viewing or printing this drawing. All colors used are PMS or the closest CMYK equivalent. If these colors are incorrect, please provide the correct PMS match and a revision to this drawing will be made.</small>
Location: VARIOUS	File Name: CAMBRIA SIGNAGE MANUAL - R5	Eng: X	



DISTRIBUTED BY SIGN UP COMPANY  
 700 21st STREET SOUTHWEST  
 PO BOX 210  
 WATERTOWN, SD 57201-0210

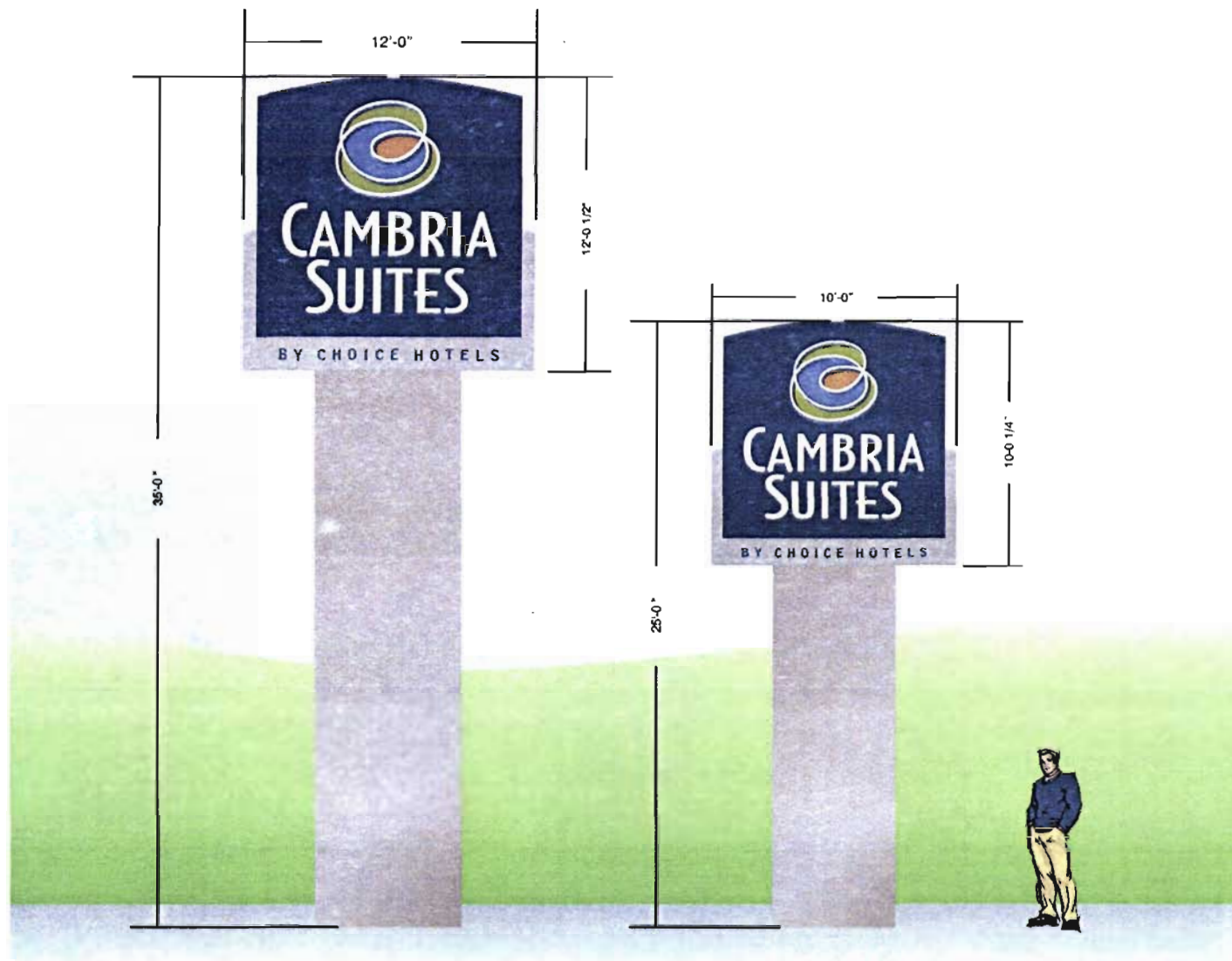


**DOUBLE FACE MONUMENT**

<b>Customer:</b> CAMBRIA SUITES	<b>Date:</b> 8-14-09	<b>Prepared By:</b> MR	<b>Note:</b> Color output may not be exact when viewing or printing this drawing. All colors used are PMS or the closest CMYK equivalent. If these colors are incorrect, please provide the correct PMS match and a revision to this drawing will be made.
<b>Location:</b> VARIOUS	<b>File Name:</b> CAMBRIA SIGNAGE MANUAL - R5	<b>Eng:</b> X	



DISTRIBUTED BY SIGN UP COMPANY  
700 21st STREET SOUTHWEST  
PO BOX 210  
WATERTOWN, SD 57201-0210

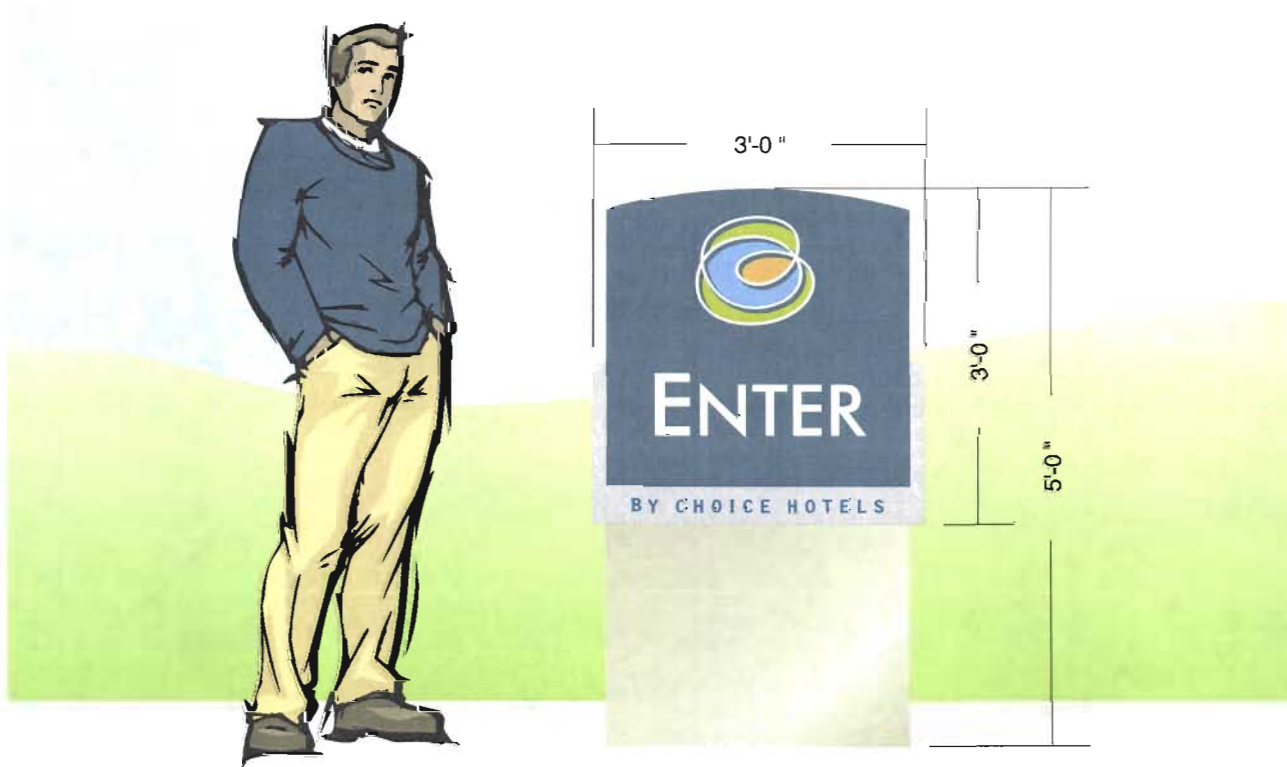


**DOUBLE FACE PYLONS**

<b>Customer:</b> CAMBRIA SUITES	<b>Date:</b> 8-14-09	<b>Prepared By:</b> MR	<b>Note:</b> Color output may not be exact when viewing or printing this drawing. All colors used are PMS or the closest CMYK equivalent. If these colors are incorrect, please provide the correct PMS match and a revision to this drawing will be made.
<b>Location:</b> VARIOUS	<b>File Name:</b> CAMBRIA SIGNAGE MANUAL - R5		<b>Eng:</b> X




DISTRIBUTED BY SIGN UP COMPANY  
 700 21st STREET SOUTHWEST  
 PO BOX 210  
 WATERTOWN, SD 57201-0210



**DOUBLE FACE DIRECTIONAL**

**SIGN TYPE 'B' - DIRECTIONAL**

<b>Customer:</b> CAMBRIA SUITES	<b>Date:</b> 8-14-09	<b>Prepared By:</b> MR	<b>Note:</b> Color output may not be exact when viewing or printing this drawing. All colors used are PMS or the closest CMYK equivalent. If these colors are incorrect, please provide the correct PMS match and a revision to this drawing will be made.	 PERSONA Sign Makers / Image Builders Ph.J 1-800-843-9888	DISTRIBUTED BY SIGN UP COMPANY 700 21st STREET SOUTHWEST PO BOX 210 WATERTOWN, SD 57201-0210
<b>Location:</b> VARIOUS	<b>File Name:</b> CAMBRIA SIGNAGE MANUAL - R5	<b>Eng:</b> X			



45' Tall

10PD052

Each Sign 15'x15'



SIGN TYPE 'A' - PYLON

605-342-0481  
Fax: 605-342-9474  
1650 Samco Road  
Rapid City, S.D. 57702

**ROSENBAUM'S**  
**SIGNS**  
and Outdoor Adv. Inc.

*Signing Rapid City  
With Pride  
Since 1928*

UL listed

Plans are intended for general information only. No liability is assumed for errors, omissions, or alterations, done or not done, in any drawings. The City of Rapid City does not carry the liability, responsibility or responsibility of the project or design, which may be the responsibility of the engineer or architect. All necessary permits shall be obtained prior to construction of the project (public improvement).

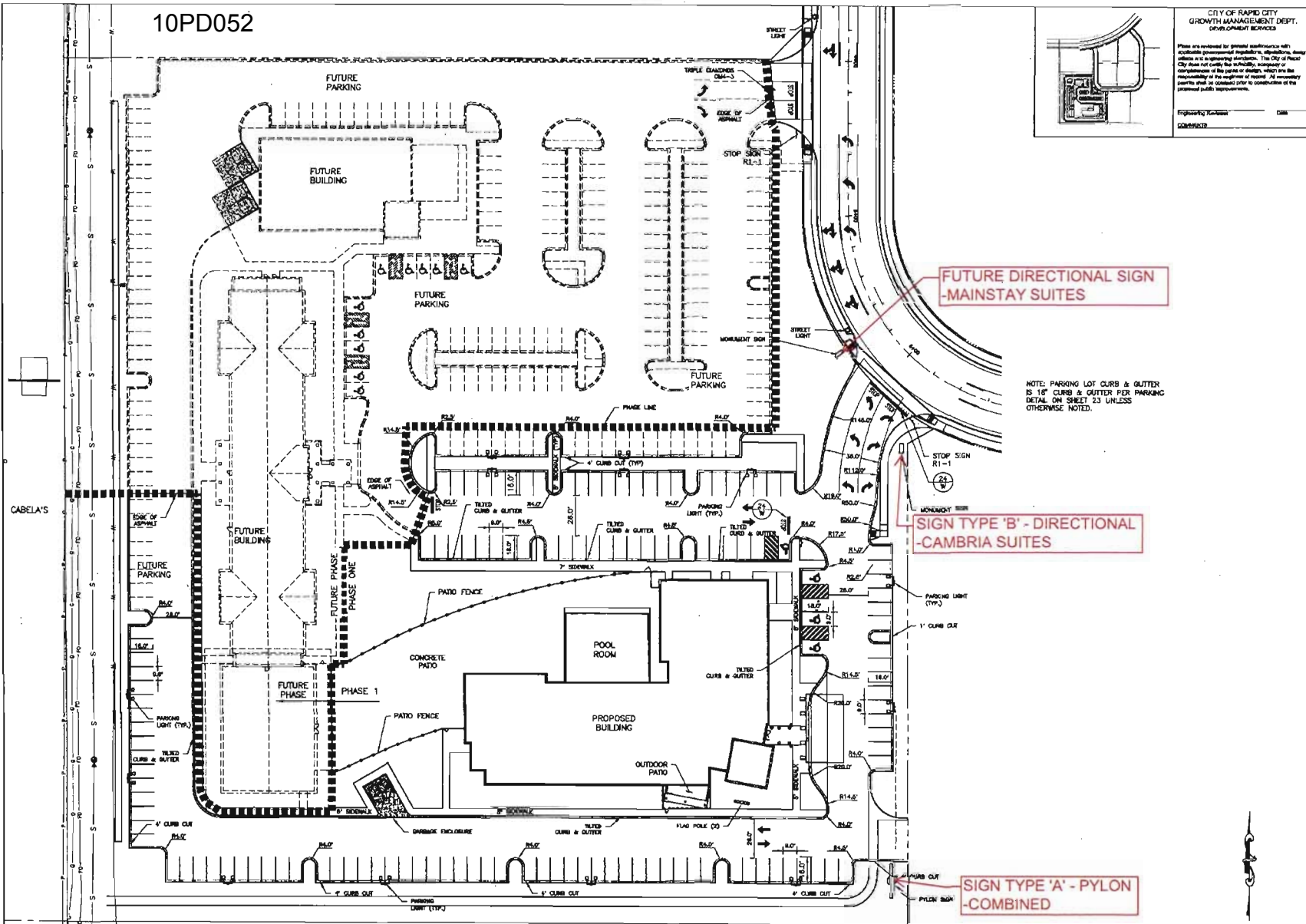
Engineering Technician:          Date:         

COMMENTS:         

Revision:         

Approved:         

Sheet No. and Loc:	Drawing No.:	Drawn By:
10-0662	0642E	PLM
Reviewed By:	Checked By:	Survey Date:
AC/MLM	RE/MLM	08/10/10



NOTE: PARKING LOT CURB & GUTTER IS 18" CURB & GUTTER PER PARKING DETAIL ON SHEET '23 UNLESS OTHERWISE NOTED.

**DREAM DESIGN INTERNATIONAL, INC.**  
 ENGINEERING, LANDSCAPE ARCHITECTURE,  
 LAND PLANNING, CONSTRUCTION ADMINISTRATION  
 928 KANSAS CITY STREET, SUITE 4, RAPID CITY, SD 57701  
 PHONE (605) 349-0938 FAX (605) 349-0545 WWW.DREAMDESIGNINC.COM

**GATEWAY BUSINESS PARK SUBDIVISION  
 CAMBRIA HOTEL**



SCALE: 1" = 30'

**RECEIVED**

NOV 10 2010

Rapid City Growth  
Management Department

