

# WSQ Metal Halide, High Pressure Sodium Building Mounted

WSQ 70M WT IES FILE #: LTL11075





## FEATURES & SPECIFICATIONS

### INTENDED USE

For building and wall-mounted applications.

### CONSTRUCTION

Rugged, die-cast, single piece aluminum housing. Die-cast doorframe has a 1/8" thick tempered glass lens. Doorframe is fully gasketed with one-piece solid silicone.

### FINISH

Standard finish is textured dark bronze (DDBT) corrosion resistant polyester powder finish, with other architectural colors available.

### OPTICAL SYSTEM

Segmented reflectors for superior uniformity and control. Reflectors are interchangeable. Three full cutoff downlight distributions available: FT (forward throw), MD (medium throw) and WT (wide throw).

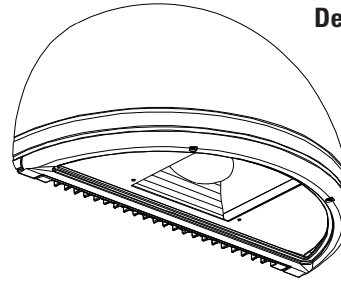
### ELECTRICAL SYSTEM

50W-150W utilizes a high reactance, high power factor ballast. 35S utilizes a reactance high power factor ballast. 175W utilizes a constant-wattage auto transformer ballast. Quick disconnect plug easily disconnects reflector from ballast. Ballasts are copper wound and 100% factory tested. Porcelain, medium-base socket with copper alloy, nickel-plated screw shell and center contact. UL listed 660W, 600V 4KV pulse rated.

### INSTALLATION

Universal mounting mechanism with integral mounting support allows fixture to hinge down. Bubble level provides correct alignment with every installation.

Catalog Number	
Notes	Type



Decorative Wall-Mounted Lighting

# WSQ

**METAL HALIDE**  
50W-175W  
**HIGH PRESSURE SODIUM**  
35W-150W

### Standard dimensions - WSQ

Length: 18.0 (45.7)

Depth: 9.0 (22.8)

Overall Height: 7.25 (18.4)

Max. Weight: 30 (13.6 kg)

All dimensions are inches (centimeters) unless otherwise specified.

### LISTING

UL Listed to US and Canadian safety standards (see Options). UL listed suitable for wet locations (damp location listed in lens up orientation). WLU option offers wet location listing in lens up orientation (see Options). IP65 rated.

## ORDERING INFORMATION

Example: **WSQ 175M FT 120 SF DNAT LPI**

Choose the boldface catalog nomenclature that best suits your needs and write it on the appropriate line.

WSQ				Options	
Series	Wattage/Source	Distribution	Voltage		
<b>WSQ</b>	High pressure sodium	<u>Downlight distributions</u>	<b>120</b>	<u>Shipped installed in fixture</u>	
	<b>35S<sup>1</sup></b>	<b>FT</b> Forward throw	<b>208<sup>2</sup></b>	<b>SF</b> Single fuse (120,277,347V, n/a TB or TBV)	<u>Shipped separately</u>
	<b>50S</b>	<b>MD</b> Medium throw	<b>240<sup>2</sup></b>	<b>DF</b> Double fuse (208,240V, n/a TB or TBV)	<b>WSBBW</b> Surface mounted back box
	<b>70S</b>	(coated lamp std.)	<b>277</b>	<b>EC</b> Emergency circuit	<b>UT5</b> Uptilt 5 degrees
	<b>100S</b>	<b>WT</b> Wide throw	<b>347</b>	(25W max 120V, incandescent lamp included) <sup>5</sup>	<b>WSRWG</b> Wire guard <sup>7</sup>
	<b>150S</b>		<b>TB<sup>3</sup></b>	<b>DC12</b> Emergency circuit 12 volt (35W lamp included std.) <sup>6</sup>	<b>WSRVG</b> Vandal guard <sup>7</sup>
	<u>Metal halide</u>		<b>TB<sup>4</sup></b>	<b>2DC12</b> Emergency circuit 12 volt (2, 35W lamps included) <sup>6</sup>	<u>Architectural colors<sup>9</sup></u>
	<b>50M</b>			<b>DC2012</b> Emergency circuit 12 volt (20W lamp included) <sup>6</sup>	<u>Standard textured colors</u>
	<b>70M</b>			<b>2DC2012</b> Emergency circuit 12 volt (2, 20W lamps included) <sup>6</sup>	<b>DDBT</b> Dark bronze (std.)
	<b>100M</b>			<b>QRS</b> Quartz restrike system (100W max 120V, quartz lamp not included)	<b>DSST</b> Sandstone
	<b>150M</b>			<b>CR</b> Enhanced corrosion resistance	<b>DNAT</b> Natural aluminum
	<b>175M</b>			<b>CRT</b> Non-stick protective coating (black only)	<b>DWHG</b> White
				<b>PE</b> Photoelectric cell-button type(n/a TB/TBV) <sup>7</sup>	<b>DBLB</b> Black
				<b>WLU</b> Wet location door for up orientation	<u>Optional textured colors</u>
				<b>IBS</b> Internal backlight shield <sup>8</sup>	<b>DBNH</b> Bronze
				<b>DFL</b> Diffusing lens	<b>DSPD</b> Dark gray
				<b>LPI</b> Lamp included	<b>DSPJ</b> Light gray
				<b>L/LP</b> Less lamp	<b>DSPE</b> Green
				<b>CSA</b> Listed and labeled to comply with Canadian Standards	<b>DSPG</b> Dark red
					<b>DSPH</b> Red
					<u>Striping</u>
					<b>SDDB</b> Dark bronze
					<b>SDWH</b> White
					<b>SDBL</b> Black
					<b>SDNA</b> Natural aluminum
					<b>SDTG</b> Tennis green
					<b>SDBR</b> Bright red
					<b>SDBUA</b> Dark blue
					<b>SDGYM</b> Gray
					<b>SDYLB</b> Yellow

### NOTES:

- 120V, NPF only.
- Not available in Canada.
- Optional multi-tap ballast (120, 208, 240, 277V); (120, 277, 347V in Canada - ships as 120V/347V).
- Optional 5-tap ballast (120, 208, 240, 277, 480V; not available in Canada). 175W metal halide only.
- Not available with QRS.
- Not available with SF, DF or QRS.
- Must be ordered with fixture; can not be field installed.
- Not available with Medium Throw (MD) distribution.
- Additional architectural colors available; see www.lithonia.com for more information.

# FEATURES

## OPTICAL SYSTEM

- Diffused anodized aluminum reflector.
- Flat fresnel lens.

## DOOR

- Die-cast aluminum, gasketed door frame available in flush white or regressed stepped baffle.
- Self-aligning butterfly door support springs.

## MECHANICAL SYSTEM

- Die-formed steel upper housing with white polyester powder paint and formed steel lower housing with matte black finish.
- Expandable mounting bars provide horizontal and vertical adjustment.
- Galvanized steel junction box with bottom-hinged access covers and spring latches. Two combination 1/2"-3/4" knockouts and three 1/2" knockouts for straight-through conduit runs. Capacity: 8 (4 in, 4 out) No. 12 AWG conductors rated for 90°C.

## ELECTRICAL SYSTEM

- Horizontally-mounted, mogul-base porcelain socket with nickel-plated screw shell.
- Prewired HPF core-and-coil ballast.
- Thermally-activated insulation detector.

## LISTING

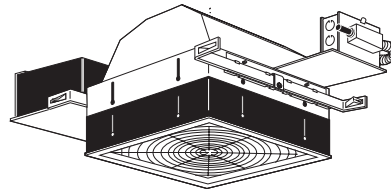
- Fixtures are UL listed for thru-branch wiring, recessed mounting and wet locations. Listed and labeled to comply with Canadian Standards.

Type

Catalog number

.....

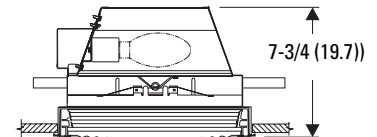
.....



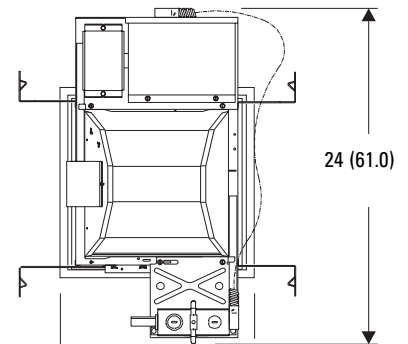
# H.I.D. Downlights 12" LAH

## Square Lens

Fresnel Lens  
Wet Location  
Horizontal Lamp  
Metal Halide or HPS Lamps



Aperture: 10-1/8 (27.0)  
Ceiling opening: 12-1/4 (31.1)  
Overlap trim: 12-5/8 (32.1)



All dimensions are inches (centimeters).

# ORDERING INFORMATION

Choose the boldface catalog nomenclature that best suits your needs and write it on the appropriate line. Order accessories as separate catalog numbers (shipped separately).

Example: **LAH 100M 12FW FFL 120**

LAH		FFL			Options
Series	Wattage/Lamp	Door frame	Shielding	Voltage	
LAH	<i>Metal Halide</i>	12FW Flush white door	FFL Flat Fresnel lens	120	LRC Provides compatibility with Lithonia Reloc System 820.
	100M M100/C/U/MED			208	TRDA Tamperproof (includes two tamperproof screws).
	150M M150/C/U			240	QRS Quartz Restrike System (uses D.C. base quartz lamp by others; see other side for wattage restrictions).
	175M M175/C/U	12SB Stepped black baffle		277	QRSTD Quartz restrike system with time delay.
	250M M250/C/U <sup>1</sup>			347	EC Emergency circuit (D.C. base socket with leads for connection to external emergency power source; see other side).
	<i>Color-Corrected Metal Halide<sup>2</sup></i>				SF Single fuse.
	50MHC MPC50/C/MED				DF Double fuse (208V and 240V).
	70MHC MPC70/C/MED				HEB Electronic ballast (up to 150W Metal Halide).
	100MHC MPC100/C/MED				EP Encased and potted ballast.
	150MHC MPC150/C/MED				
	<i>High Pressure Sodium</i>				
	70S LU70/D/MOG				
	100S LU100/D/MOG				
	150S LU150/55/D/MOG				
<b>Accessories</b>					
<i>Order as separate catalog numbers</i>					
		BH24 24" steel bar hangers (2) for T-bar mounting.			
		LSMC Set of 4 T-bar mounting clips for use with bar hangers supplied with unit. (Not for use with BH24).			

NOTES:

- 1 250M available with encased-and-potted ballast; 120, 277 or 347 volts only.
- 2 Ceramic arc tube consistent-color lamp. Philips MasterColor or GE ConstantColor.



GOTHAM ARCHITECTURAL DOWNLIGHTING  
A DIVISION OF ACUITY LIGHTING GROUP, INC.  
1400 Lester Road Conyers Georgia 30012  
P 800 315 4982 F 770 860 3129  
www.gothamlighting.com

LAH 12 FFL

DHID-460

# 12" LAH Square Lens, Gotham Series

Distribution curve	Distribution data	Output data	Coefficient of utilization	Single luminaire data 30° above floor						
LAH 175M 12FW FFL, 175W M175/C/U lamp, 1.0 s/mh, 12000 rated lumens, test no. 2189020811										
	From 0°	cp. Lumens	Zone Lumens %lamp	ρ f ρ c pw	80% 50% 30%	20% 50% 30%	30% 50% 30%	50% beam angle 51.7°	10% beam angle 89.8°	
	0°	3840	0°-30° 2569 21.4	1	50	49	47	46	45	45
	5°	3761	0°-40° 3765 31.4	2	46	44	43	42	42	41
	15°	3431	0°-60° 5063 42.2	3	42	39	40	38	39	37
	25°	2702	0°-90° 5514 46.0	4	39	36	37	35	36	34
	35°	1908	90°-180° 0 0.0	5	36	33	34	32	34	31
	45°	1070	0°-180° 5514 46.0*	6	33	30	32	29	31	29
	55°	481	* Fixture efficiency	7	31	27	30	27	29	27
	65°	259		8	28	25	27	25	27	24
	75°	130		9	26	23	25	23	25	22
	85°	42		10	24	21	24	21	23	21
90°	11									
Mount height	Initial fc at beam center	Beam diameter	fc at beam edge	Beam diameter	fc at beam edge	Beam diameter	fc at beam edge	Beam diameter	fc at beam edge	
8'	126.9	5.3'	63.5	11.0'	12.7					
10'	68.3	7.3'	34.1	14.9'	6.8					
12'	42.5	9.2'	21.3	18.9'	4.3					
14'	29.0	11.1'	14.5	22.9'	2.9					
16'	21.1	13.1'	10.5	26.9'	2.1					

Distribution curve	Distribution data	Output data	Coefficient of utilization	Single luminaire data 30° above floor						
LAH 250M 12FW FFL, 250W M250/C/U lamp, 1.0 s/mh, 20500 rated lumens, test no. 2189032205										
	From 0°	cp. Lumens	Zone Lumens %lamp	ρ f ρ c pw	80% 50% 30%	20% 50% 30%	30% 50% 30%	50% beam angle 52.0°	10% beam angle 90.6°	
	0°	7262	0-30° 4930 24.1	1	57	55	53	52	51	50
	5°	7202	0-40° 7228 35.3	2	52	49	49	47	48	46
	15°	6624	0-60° 9786 47.7	3	47	44	46	43	44	42
	25°	5160	0-90° 10661 52.0	4	44	41	42	39	41	39
	35°	3665	90-180° 0 0.0	5	41	37	39	36	38	35
	45°	2119	0-180° 10661 52.0*	6	37	34	36	33	35	33
	55°	946	* Fixture efficiency	7	34	31	33	30	33	30
	65°	501		8	32	28	31	28	30	28
	75°	251		9	30	26	29	26	28	25
	85°	85		10	27	24	27	24	26	23
90°	21									
Mount height	Initial fc at beam center	Beam diameter	fc at beam edge	Beam diameter	fc at beam edge	Beam diameter	fc at beam edge	Beam diameter	fc at beam edge	
8'	240.1	5.4'	120.0	11.1'	24.6					
10'	129.1	7.3'	64.6	15.1'	12.9					
12'	80.5	9.3'	40.2	19.2'	8.6					
14'	54.9	11.2'	27.5	23.2'	5.5					
16'	39.9	13.2'	19.9	27.3'	4.0					

Distribution curve	Distribution data	Output data	Coefficient of utilization	Single luminaire data 30° above floor						
LAH 150S 12FW FFL, 150W LU150/55/D/MOG lamp, 0.9 s/mh, 15000 rated lumens, test no. 2189020709										
	From 0°	cp. Lumens	Zone Lumens %lamp	ρ f ρ c pw	80% 50% 30%	20% 50% 30%	30% 50% 30%	50% beam angle 57.9°	10% beam angle 96.0°	
	0°	6040	0-30° 3958 26.3	1	59	57	55	54	53	52
	5°	5953	0-40° 5661 37.7	2	54	52	51	49	50	48
	15°	5412	0-60° 7448 49.7	3	50	47	47	45	46	44
	25°	4057	0-90° 8073 53.8	4	46	43	44	41	43	41
	35°	2702	90-180° 0 0.0	5	43	39	41	38	40	37
	45°	1471	0-180° 8073 53.8*	6	39	36	38	35	37	35
	55°	662	* Fixture efficiency	7	36	33	35	32	35	32
	65°	358		8	34	30	33	30	32	30
	75°	180		9	32	28	31	27	30	27
	85°	61		10	29	26	29	25	28	25
90°	14									
Mount height	Initial fc at beam center	Beam diameter	fc at beam edge	Beam diameter	fc at beam edge	Beam diameter	fc at beam edge	Beam diameter	fc at beam edge	
8'	199.7	5.1'	99.8	10.6'	20.0					
10'	107.4	7.0'	53.7	14.4'	10.7					
12'	66.9	8.9'	33.5	18.3'	6.7					
14'	45.7	10.7'	22.8	22.1'	4.6					
16'	33.1	12.6'	16.6	26.0'	3.3					

## QRS/EC WATTAGE RESTRICTIONS

HID wattage	Maximum wattage	Lamp type
≤100W	100	
150W	150	Double contact
175W	150	bayonet base
250W	250	

## Conversion Factor

Use multiplier to determine candlepower, lumens and footcandles of other lamps.

100M = 175M X .57

70S = 150S x .40

100S = 150S x .59

## Electrical Characteristics

Wattage/ Ballast	Maximum Line Current					Input watts
	120V	208V	240V	277V	347V	
Metal Halide (Power Factor 90%)						
100M HX-HPF	2.60	1.50	1.30	1.15	1.00	130
175M CWA	1.80	1.10	.90	.80	.65	210
250M CWA	3.05	1.65	1.55	1.25	1.05	294
High Pressure Sodium (Power Factor 90%)						
70S HX-HPF	1.45	.85	.75	.65	.52	94
100S HX-HPF	2.20	1.40	1.10	.95	.70	130
150S HX-HPF	3.00	1.65	1.45	1.25	1.00	188

Tested to current IES and NEMA standards under stabilized laboratory conditions. Various operating factors can cause differences between laboratory data and actual field measurements. Dimensions and specifications are based on the most current available data and are subject to change.

## DHID-460

©2003 Gotham, Rev. 01/03  
DHID-460.P65



GOTHAM ARCHITECTURAL DOWNLIGHTING  
A DIVISION OF ACUITY LIGHTING GROUP, INC.  
1400 Lester Road Conyers Georgia 30012  
P 800 315 4982 F 770 860 3129  
www.gothamlighting.com



## FEATURES & SPECIFICATIONS

### INTENDED USE

Intended for low to medium mounting heights where dust, dirt, humidity or water is present. Ideal for canopies, dock areas, wastewater treatment, refrigerated areas, food processing and other non-hazardous environments.

### CONSTRUCTION

Housing formed from durable, impact resistant fiberglass. Poured in gasketing which provides a seal between housing and diffuser. Captive, stainless steel cam action latches retain diffuser to housing; four latches per side.

### FINISH

Painted internal gear tray is painted after fabrication with high reflectances gloss baked enamel.

### OPTICAL SYSTEM

Injection molded, ribbed high impact acrylic diffuser with 50% DR additive or polycarbonate.

### ELECTRICAL SYSTEM

Thermally protected, resetting, Class P, HPF, non-PCB, UL Listed and CSA Certified ballast is standard. Sound rating depends on lamp/ballast combination.

AWM, TFN, THHN wire throughout, rated for required temperatures.

### INSTALLATION

For unit or row installations, ceiling or suspended mounting.

### LISTING

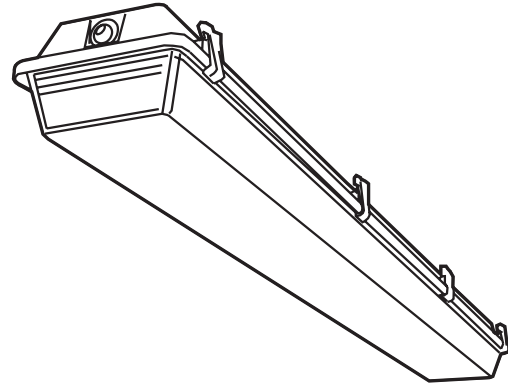
UL Listed for wet locations (standard). CSA Certified (see Options).

### WARRANTY

Specifications subject to change without notice.

Catalog Number	
<b>EGI4 2 32 BMPCL 277 AIHP LPPM850EX STSL MTH NAWT</b>	
Notes	Type
<b>Input Watts: 47</b>	<b>42</b>

### Enclosed and Gasketed Industrial



# EGI4

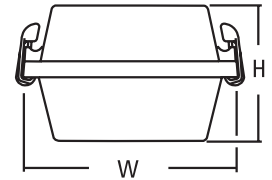
4' Length  
2 or 3 Lamps

### Specifications

Length: 51-11/16"  
(1313)

Width: 6-3/4" (172)

All dimensions are inches (millimeters).



## ORDERING INFORMATION

Choose the boldface catalog nomenclature that best suits your needs and write it on the appropriate line. Order accessories as separate catalog number.

<b>EGI4</b>	<b>2</b>	<b>32</b>	<b>BMPCL</b>	<b>277</b>	<b>AIHP LPPM850EX STSL MTH NAWT</b>
Series	Lamps	Wattage	Diffuser	Voltage	Options
EGI4	2, 3	32 32W T8 (48")	AR High impact acrylic (50% DR) BMPCL Polycarbonate	120 277 347 MVOLT <sup>1</sup>	<p><b>Shipped installed in fixture</b></p> <p><b>AIHP</b> Advance Optanium A Series, Instant Start, NEMA Premium Ballast, High Ballast Factor</p> <p><b>TUBIXEH</b> Universal Ultim8 ballast (T8 electronic 1.18BF)</p> <p><b>GEB</b> T8 electronic ballast ≤20% THD, instant start</p> <p><b>GEB10IS</b> T8 electronic ballast ≤10% THD, instant start</p> <p><b>MTH</b> Mounting brackets, requires no drilling of fixture to install</p> <p><b>CX6H</b> 6' exposed 16/3 STOW cable installed, weather-tight connector installed to channel.</p> <p><b>LPPM850EX</b> Philips TL850 lamp installed</p> <p><b>LPG850E28</b> GE SPX50 28 watt lamp installed</p> <p><b>STSL</b> Stainless steel latches installed, 8 total</p> <p><b>CSA</b> CSA Certified</p> <p><b>J2</b> Job packaging (quantity 2)</p>

### NOTES:

- Electronic ballast 120 through 277V only.
- Type 42 input wattage is 72 watts.

**EGI Rapid Start****DIMENSIONS****PHOTOMETRICS**

Calculated using the zonal cavity method in accordance with IESNA LM41 procedure. Floor reflectances are 20%. Lamp configurations shown are typical. All data based on 25°C. Full photometric data on these and other configurations available upon request.

**EGI 2 32 AR**Report: **LTL11606**LUMENS PER LAMP: **2850**

Luminaire Efficiency: 70.4%

**Coefficients of Utilization**

RCR	pw	Coefficients of Utilization								
		80%			50%			30%		
		70%	50%	30%	50%	30%	10%	50%	30%	10%
0	84	84	84	78	78	78	75	75	75	
1	75	70	67	66	63	60	63	60	58	
2	67	60	54	56	52	48	54	50	47	
3	61	52	46	49	44	39	47	42	38	
4	55	46	39	43	37	33	41	36	32	
5	50	41	34	38	32	28	37	32	28	
6	46	36	30	34	29	24	33	28	24	
7	43	33	26	31	25	21	30	25	21	
8	40	30	23	28	23	19	27	22	19	
9	37	27	21	26	21	17	25	20	17	
10	35	25	19	24	19	15	23	19	15	

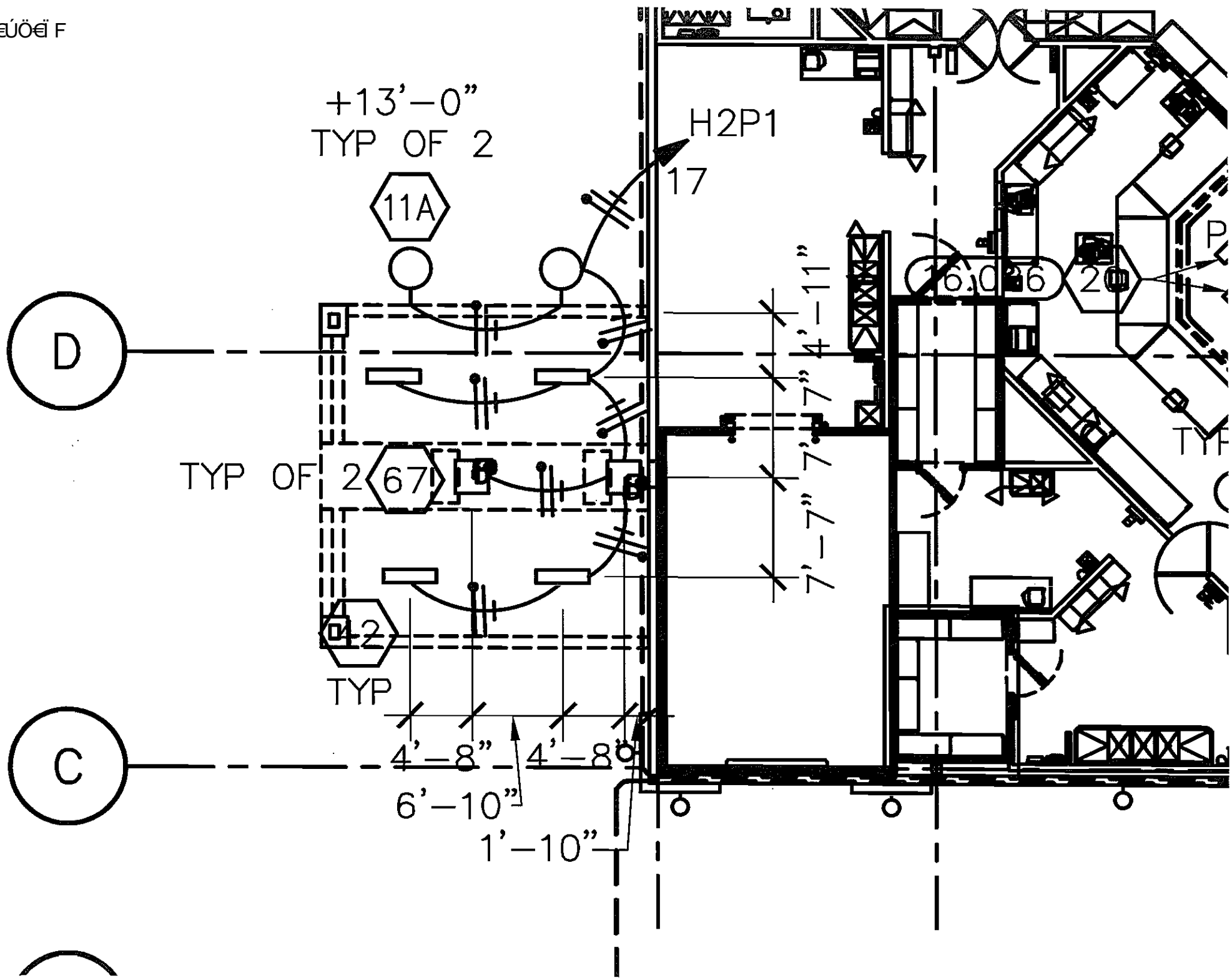
**Zonal Lumen Summary**

Zone	Lumens	% Lamp	% Fixture
0° - 30°	865	15.2	21.6
0° - 40°	1454	25.5	36.2
0° - 60°	2743	48.1	68.3
0° - 90°	4014	70.4	100.0
90° - 180°	0	0.0	0.0
0° - 180°	4014	70.4	100.0



**Lithonia Lighting**  
**Aquity Lighting Group, Inc.**  
 Fluorescent

One Lithonia Way, Conyers, GA 30012  
 Phone: 770-922-9000, 800-858-7763, Fax: 770-929-8789



**DESCRIPTION**

ENTRI Series' family of modular faceplate designs provide a tasteful architectural statement equally suitable for indoor and outdoor environments. Available luminous faceplate window adds a signature look, while affording custom color capability.

Catalog #	ENV-32-CF-UNV-EB-3SP-BK-LG-L	Price	
Project		Date	
Comments			
Prepared by			

**SPECIFICATION FEATURES**

**Construction**

**HOUSING:** One piece die-cast aluminum construction for precise tolerance control and repeatability in manufacturing. Accommodates either up or down mounting configurations with no modifications. Downlight and uplight lens' are impact resistant 5/32" thick tempered clear or frosted flat glass, sealed to the housing with high strength VHB adhesive tape and a continuous silicone bead gasket. Silicone wireway plug on housing back wall seals incoming electrical leads to prevent moisture and dust entry. **FACEPLATE:** One piece die-cast aluminum faceplate utilizes a continuous silicone gasket to seal securely to housing. Side hinged faceplate swings open via release of one (1) flush mount die-cast aluminum latch on housing side panel. Available luminous glass insert is .16" thick frosted glass, secured to back of faceplate with a continuous EPDM gasket. Available colored gel film secures behind glass.

**Electrical**

**ELECTRICAL COMPONENTS:** Ballast and related electrical componentry are heat sunk to the housing for cooler operation and prolonged life.

**Optical**

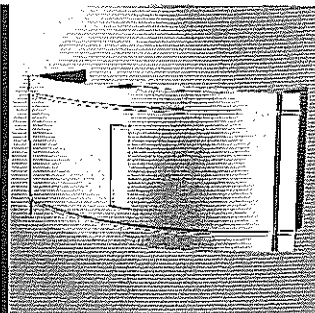
**OPTICAL SYSTEM:** Choice of ten (10) high efficiency optical systems constructed of premium 95% reflective anodized aluminum sheet, or bright specular anodized polished spun aluminum. Available distributions include Type III, Type III with 10% secondary glow, Type III with pencil secondary, Forward Throw, Forward Throw with 10% secondary glow, Forward Throw with pencil secondary, FX grazing optic, FXF 50% up/50% down grazing optic, Tight Spot, and 50% up/50% down Tight Spot. Optical segments are rigidly mounted inside a heavy wall aluminum housing for superior protection. All segment faces are clean of rivet heads, tabs, or other means of attachment which may cause streaking in the light distribution. All reflector modules feature quick disconnect wiring plugs. T6 Pulse Start Metal Halide lamps feature G12 lampholders, White SonTM High Pressure Sodium lamp features a GX12 lampholder, Quartz Halogen lamps feature mini-can screw based lampholders, and Compact Fluorescent lamps feature GX24q-(3,4,5) 4-pin lampholders.

**Mounting**

Standard zinc plated attachment plate mounts directly to 4" J-Box. Fixture slides over mounting plate and is secured with two (2) concealed stainless steel fasteners. Mounting plate features one-piece, EPDM gasket on back side of plate to firmly seal fixture to wall surface, forbidding entry of moisture and particulates. Optional mounting arrangements utilize a die-cast aluminum adapter box to allow for surface conduit wiring, quartz lamp options, and emergency battery pack capability.

**Finish**

Housing finished in a 5 stage premium TGIC polyester powder coat paint, 2.5 mil nominal thickness for superior protection against fade and wear. Standard colors include black, bronze, grey, white, dark platinum, and graphite metallic. RAL and custom color matches available. Consult your INVUE Lighting Systems Representative for more information.



**ENV  
ENTRI  
ROUND  
REVEALS**

26 - 250W

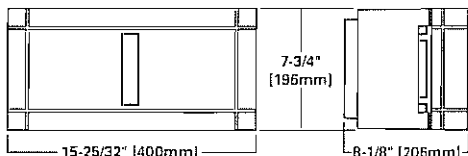
- Pulse Start Metal Halide
- Whiteson High Pressure Sodium
- Compact Fluorescent
- Quartz Halogen

ARCHITECTURAL  
WALL LUMINAIRE



NOTE: In downlight only configurations with no faceplate window.

**DIMENSIONS**



**WATTAGE TABLE**

Lamp Type	Wattage
Pulse Start Metal Halide (MP)	39, 70, 100, 150W
WhiteSON HPS (WS)	100W
Compact Fluorescent (CF)	(1) 26, (2) 26, (1) 32, (2) 32, (1) 42, (2) 42, (1) 57W
Quartz Halogen (HL)	100, 150, 250W

**CERTIFICATION DATA**

- IP66 Rated
- U.L. 1598 Listed
- CSA Listed
- 40°C Ambient Temperature Rating
- ISD 5001
- Full Cutoff (In downlight only configurations with no faceplate window)

**SHIPPING DATA**

- (Approximate)
- Net Weight (lbs.): 13
- Volume (cu. ft): 4.5





ORDERING INFORMATION

Sample Number: ENV-150-MH-120-EB-3S-BK-LG-L

<b>ENV</b>	<b>32</b>	<b>CF</b>	<b>UNV</b>	<b>EB</b>	<b>3SP</b>	<b>BK</b>	<b>LG</b>	<b>L</b>	
<b>Product Family</b> ENV=ENTRI Round Reveals	<b>Lamp Wattage</b> MP <sup>1</sup> 39=39W 70=70W 100=100W 150=150W WS <sup>1</sup> 100=100W Compact Fluorescent <sup>2</sup> 26=26W 32=32W 42=42W 52=(2) 26W <sup>3</sup> 57=57W <sup>4</sup> 64=(2) 32W <sup>3</sup> 84=(2) 42W <sup>3</sup> Halogen <sup>5</sup> 100=100W 150=150W 250=250W	<b>Voltage</b> <sup>6</sup> 120=120V 208=208V 240=240V 277=277V 347=347V 480=480V DT= Dual-Tap <sup>9</sup> wired 277V MT= Multi-Tap <sup>10</sup> wired 277V TT= Triple-Tap <sup>11</sup> wired 347V UNV= 120-277V Universal Electronic Ballast	<b>Optical System</b> Downlight or Uplight (HID or Halogen) 3S=Type III FT=Forward Throw FX=Wall Grazing Optic TS= Tight Spot Downlight and Uplight (HID and Halogen) 3SG= Type III, 90% Main/10% Secondary Glow 3SP= Type III with Pencil Secondary FTG= Forward Throw, 90% Main/10% Secondary Glow FTP= Forward Throw with Pencil Secondary FXF= Wall Grazing Optic, 50% Up/50% Down TSF= Tight Spot, 50% Up/50% Down Compact Fluorescent CFG= 90% Main + 10% Secondary Glow CFM= 100% Main, Up or Downlighting	<b>Optional Luminous Faceplate Insert</b> LG=Luminous Glass Insert LGO=Luminous Glass Insert w/ Warm Orange Gel LGR=Luminous Glass Insert w/ Red Gel LGB=Luminous Glass Insert w/ Bright Blue Gel LGG=Luminous Glass Insert w/ Deep Green Gel	<b>Accessories</b> <sup>20</sup> VA2001-XX=Thru-way <sup>16</sup> Box VA2002=Wire Guard Kit	<b>Ballast</b> MB= Magnetic Ballast EB= Electronic <sup>12</sup> Ballast	<b>Color</b> <sup>13</sup> BK=Black AP=Grey BZ=Bronze WH=White DP=Dark Platinum GM=Graphite Metallic	<b>Options</b> <sup>14</sup> F= Single Fuse (120, 277 or 347V) Specify Voltage FF= Double Fuse (208, 240 or 480V) Specify Voltage DSAB= Dual Fluorescent Switching Control Adapter Box <sup>15, 18</sup> QAB= Quartz Restrike Adapter Box <sup>16</sup> EMAB= Quartz Restrike w/ Delay Adapter Box (Also <sup>18</sup> Sinks at Cold Start) EM/SCAB= Quartz Emergency Separate Circuit Adapter <sup>18</sup> Box CF/EMAB=Emergency Battery Backup Adapter Box <sup>15, 17</sup> PC=Button Type Photocontrol (Specify Voltage) WG=Wire Guard <sup>16</sup> FRM=Frosted Main Flat Glass FRS=Frosted Secondary Flat Glass <sup>19</sup> L=Lamp Included (Standard for all Halogen lamps)	<b>Lamp Type</b> MP=Pulse Start Metal Halide WS=WhiteSON High <sup>6</sup> Pressure Sodium CF=Compact Fluorescent <sup>7</sup> HL=Quartz Halogen

- Notes:**
- All MP lamps are T6 envelope with G12 lamp base. All HPS lamps are T6 envelope with GX12 lamp base.
  - All 26/32/42/57W CF lamps feature a 4-pin lamp base. Available in CFM and CFG distributions only.
  - Dual compact fluorescent lamps.
  - Nominal M.C.L lamp length of 57W CFL not to exceed 7".
  - All Halogen lamps are T4 envelope with mini-can base.
  - WhiteSON HPS lamp available in 100W only. Requires electronic ballast. 120/277V only. Requires use of VA2001 accessory Thru-way Box.
  - CF ballasts are 120 through 277V. Specify with UNV voltage designation.
  - Products also available in non-US voltages and 50Hz for international markets. Consult factory for availability and ordering information.
  - Dual-tap is 120/277V wired 277V.
  - Multi-tap is 120/208/240/277V wired 277V.
  - Triple-tap is 120/277/347V wired 347V.
  - 120 through 277V only. Electronic ballast standard with all CF lamps. EB available with 39/70/100/150W MP lamps. 150W requires and is supplied with VA2001 Thru-way Box. Not available with QAB or EMAB options.
  - Custom and RAL color matching available upon request. Consult your INVUE Lighting Systems Representative for further information.
  - Add as suffix in the order shown.
  - Dual switching requires dual 26, 32 or 42W Compact Fluorescent lamps. Allows independent switching control of each lamp through use of two (2) electronic ballasts. Allows 50% power reduction when dual ballasts are independently wired and controlled.
  - VA2001 and thru-way adaptor box options to be mounted facing downward only. Cannot be used for primary "uplight only" applications.
  - CF lamps only. Battery backup provides 90 minutes of supplemental light, minimum operating temperature of 32°F (0°C), 42W maximum.
  - For use in down lighting applications only.
  - Frosted secondary lens provided standard on JSG, FTG, and CFG distributions.
  - Order separately, replace XX with color suffix.