

1 TOWER ELEVATION  
SCALE: N.T.S.

ALPHA SECTOR

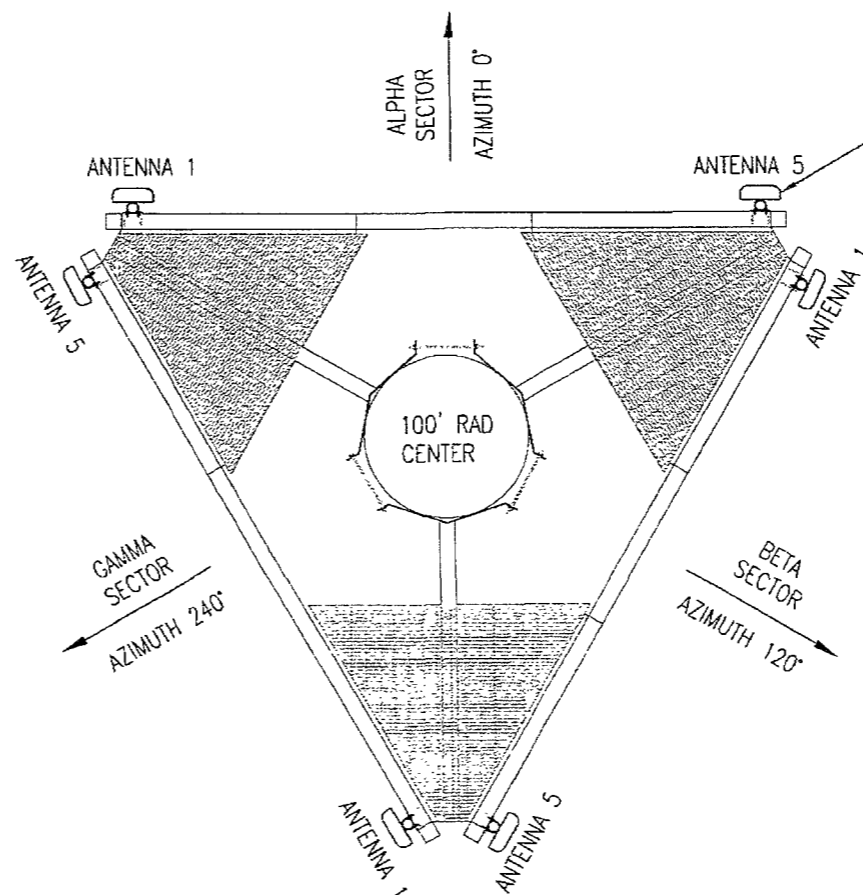
	ELEVATION	AZIMUTH	ANTENNA MODEL	QTY.	FEEDLINE	QTY.	TMA MODEL	QTY.
EXISTING	100'	0°	RWA-80014	2	1-1/4"	2	N/A	N/A
	100'	0°	LPD7905-4	3	1-1/4"	3	N/A	N/A
PROPOSED	100'	0°	RA21.7750.00	2	1-1/4"	4	ETD819H-12UB	4
	100'	0°	LPD7905-4	2	1-1/4"	1	N/A	N/A

BETA SECTOR

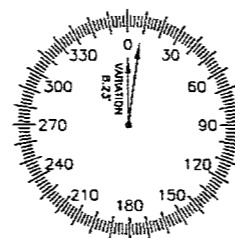
	ELEVATION	AZIMUTH	ANTENNA MODEL	QTY.	FEEDLINE	QTY.	TMA MODEL	QTY.
EXISTING	100'	120°	WPA-80063-8CF-5	2	1-1/4"	2	N/A	N/A
	100'	120°	LPD7905-4	3	1-1/4"	3	N/A	N/A
PROPOSED	100'	120°	RA21.7750.00	2	1-1/4"	4	ETD819H-12UB	4
	100'	120°	LPD7905-4	2	1-1/4"	2	N/A	N/A

GAMMA SECTOR

	ELEVATION	AZIMUTH	ANTENNA MODEL	QTY.	FEEDLINE	QTY.	TMA MODEL	QTY.
EXISTING	100'	240°	WPA-80063-8CF-5	2	1-1/4"	2	N/A	N/A
	100'	240°	LPD7905-4	3	1-1/4"	3	N/A	N/A
PROPOSED	100'	240°	RA21.7750.00	2	1-1/4"	4	ETD819H-12UB	4
	100'	240°	LPD7905-4	2	1-1/4"	2	N/A	N/A



PROPOSED AT&T ANTENNAS, REPLACE (2) EXISTING ANTEL ANTENNAS WITH (2) POWERWAVE RA21.7750.00 & INSTALL (4) NEW ETD819H-12UB TMA'S; TYP. EACH FACE



2 ANTENNA ORIENTATION  
SCALE: N.T.S.

NOTE: PLAN VIEW LOOKING FROM TOP OF TOWER.

NOTE: DETAILS AND/OR INFORMATION PROVIDED BY GENERAL DYNAMICS. SSOE DOES NOT WARRANT THE DESIGN CONTAINED.



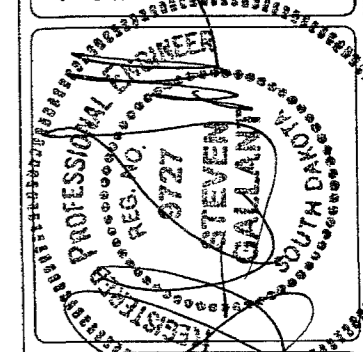
**GENERAL DYNAMICS**  
Wireless Services



**SSOE, INC.**  
ARCHITECTS • ENGINEER

SSOE PROJECT# 009-00982-00

THE INFORMATION CONTAINED IN THIS SET OF DOCUMENTS IS PROPRIETARY BY NATURE. ANY USE OR DISCLOSURE OTHER THAN THAT WHICH RELATES TO THE CLIENT IS EXPRESSLY PROHIBITED.



01/09/10  
8/26/10

SITE NAME: RAPID CITY N  
 SITE NUMBER: 132000897  
 SITE COORDINATES: LAT: 44.11550, LON: -103.221  
 SITE ADDRESS: SW 1/4 SE 1/4 SEC. 24, TSHP 2 N, RGE 7 E, RAPID CITY, SD 57701  
 DESIGN TYPE: SITE LAYOUT

A&E PROJECT #: 009-00982-00  
 DRAWN BY: MH  
 CHECKED BY: FW

REVISIONS		
NO.	DATE	DESCRIPTION

SHEET TITLE: TOWER ELEVATION & ANTENNA CONFIG.

DRAWING NO. C-2 REVISION: 0



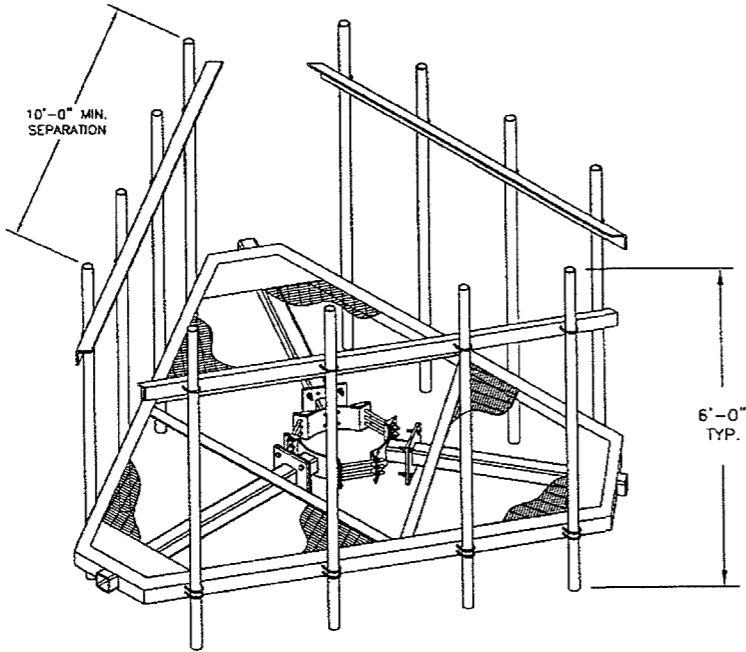
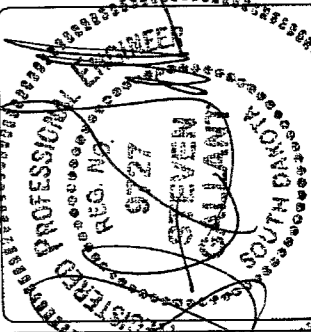
**GENERAL DYNAMICS**  
Wireless Services



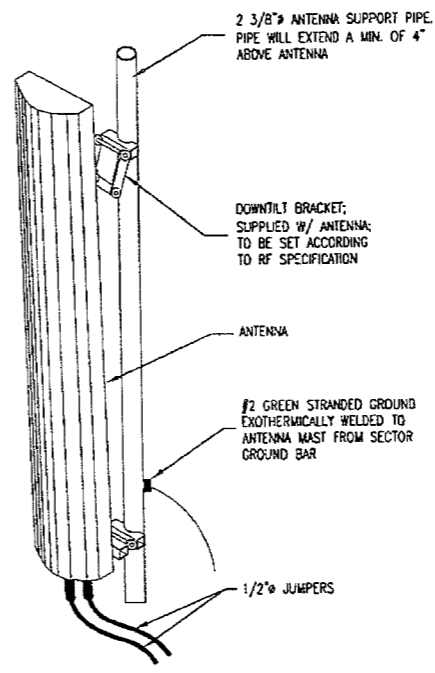
**SSOE, INC.**  
ARCHITECTS • ENGINEER

SSOE PROJECT# 009-00982-00

THE INFORMATION CONTAINED IN THIS SET OF DOCUMENTS IS PROPRIETARY BY NATURE. ANY USE OR DISCLOSURE OTHER THAN THAT WHICH RELATES TO THE CLIENT IS STRICTLY PROHIBITED.



**1** TYPICAL ANTENNA MOUNT DETAIL  
SCALE: N.T.S



**2** TYPICAL ANTENNA MOUNT DETAIL  
SCALE: N.T.S.

SITE NAME: **RAPID CITY**

SITE NUMBER: **13200897**

SITE COORDINATES:  
LAT: **44.11550**  
LON: **-103.221**

SITE ADDRESS:  
**SW 1/4 SE 1/4 SEC. 24**  
**TSHP 2 N, RGE 7 E**  
**RAPID CITY, SD 57701**

DESIGN TYPE: **SITE LAYOUT**

A&E PROJECT #:	009-00982-00
DRAWN BY:	MH
CHECKED BY:	FW

REVISIONS		
NO.	DATE	DESCRIPTION
0	07/13/10	SITE LAYOUT

SHEET TITLE:  
**COAX & ANTENNA ATTACHMENTS**

DRAWING NO.	REVISION:
<b>C-3</b>	<b>0</b>