

1 TOWER ELEVATION
SCALE: N.T.S.

ALPHA SECTOR

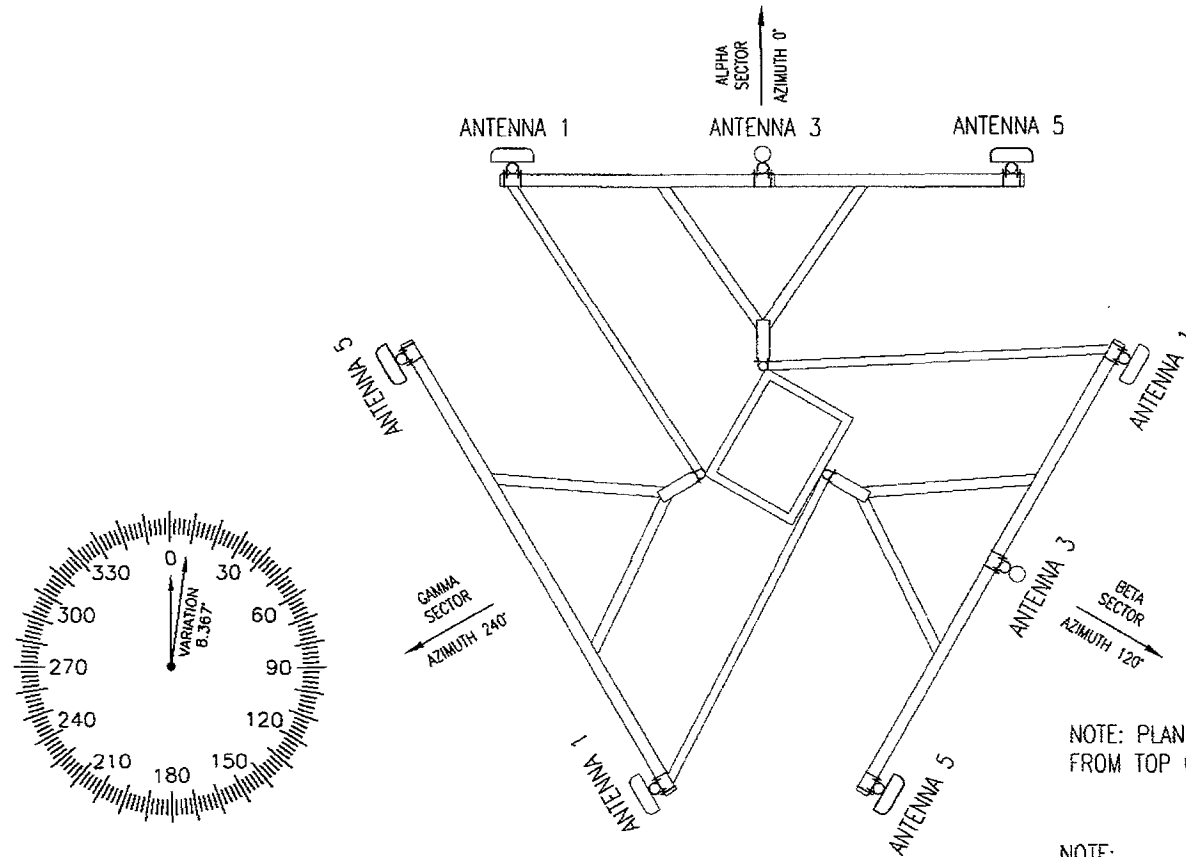
	ELEVATION	ANTENNA MODEL	QTY.	FEEDLINE	QTY.	TMA MODEL	QTY.
EXISTING	102'	ANTEL WPA-80063-8CF-5	2	1 1/4"	2	N/A	-
	102'	ANTEL WPA-80063-8CF-5	2	1 1/4"	2	N/A	-
	102'	DAPA09010	2	1 1/4"	2	N/A	-
PROPOSED	102'	POWERWAVE RA21.7750.00	2	1 5/8"	4	ANDREW ETD819H-12UB	4
	102'	ANTEL WPA-80063-8CF-5	2	1 1/4"	2	N/A	-
	102'	DAPA09010	2	1 1/4"	2	N/A	-

BETA SECTOR

	ELEVATION	ANTENNA MODEL	QTY.	FEEDLINE	QTY.	TMA MODEL	QTY.
EXISTING	102'	ANTEL WPA-80063-8CF-5	2	1 1/4"	2	N/A	-
	102'	ANTEL WPA-80063-8CF-5	2	1 1/4"	2	N/A	-
PROPOSED	102'	POWERWAVE RA21.7750.00	2	1 5/8"	4	ANDREW ETD819H-12UB	4
	102'	ANTEL WPA-80063-8CF-5	2	1 1/4"	2	N/A	-

GAMMA SECTOR

	ELEVATION	ANTENNA MODEL	QTY.	FEEDLINE	QTY.	TMA MODEL	QTY.
EXISTING	102'	ANTEL WPA-80063-8CF-5	2	1 1/4"	2	N/A	-
	102'	ANTEL WPA-80063-8CF-5	2	1 1/4"	2	N/A	-
PROPOSED	102'	POWERWAVE RA21.7750.00	2	1 5/8"	4	ANDREW ETD819H-12UB	4
	102'	ANTEL WPA-80063-8CF-5	2	1 1/4"	2	N/A	-



2 ANTENNA ORIENTATION
SCALE: N.T.S.

NOTE: PLAN VIEW LOOKING FROM TOP OF TOWER.

NOTE: DETAILS AND/OR INFORMATION PROVIDED BY GENERAL DYNAMICS. SSOE DOES NOT WARRANT THE DESIGN CONTAINED.



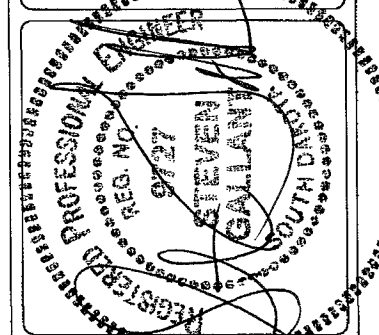
GENERAL DYNAMICS
Wireless Services



SSOE, INC.
ARCHITECTS • ENGINEER

SSOE PROJECT# 009-00982-00

THE INFORMATION CONTAINED IN THIS SET OF DOCUMENTS IS PROPRIETARY BY NATURE. ANY USE OR DISCLOSURE OTHER THAN THAT WHICH RELATES TO THE CLIENT IS STRICTLY PROHIBITED.



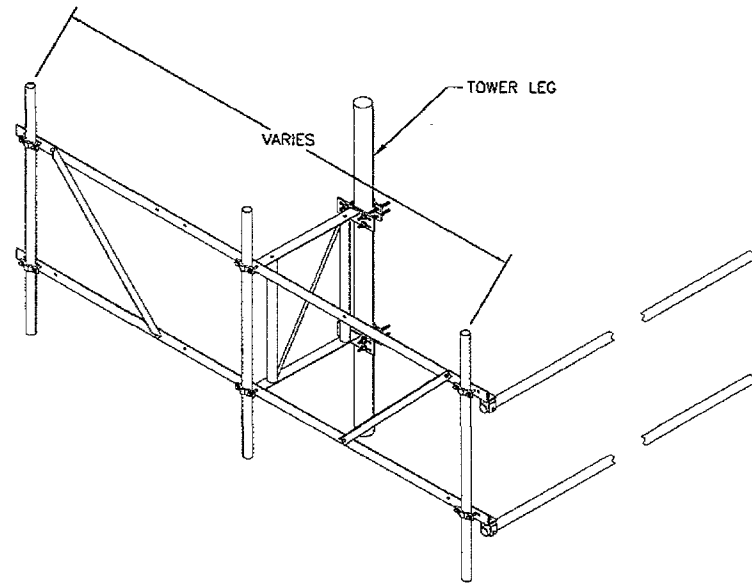
SITE NAME: RAPID CITY E
 SITE NUMBER: 132000896
 SITE COORDINATES:
 LAT: 44.08650
 LON: -103.189
 SITE ADDRESS:
 1437 E. PHILADELPHIA
 RAPID CITY, SD 57703
 DESIGN TYPE:
 SITE LAYOUT

A&E PROJECT #: 009-00982-00
 DRAWN BY: MH
 CHECKED BY: FW

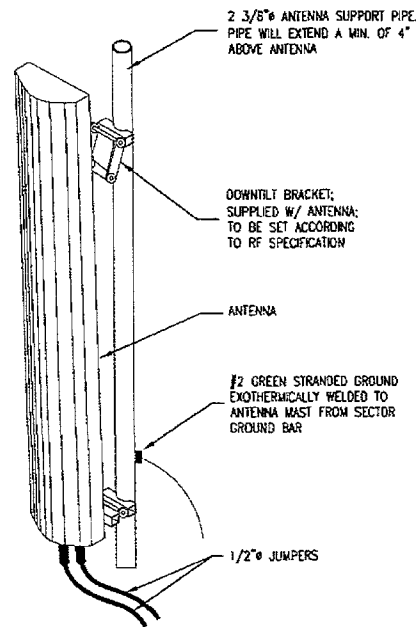
REVISIONS		
NO.	DATE	DESCRIPTION
0	07/13/10	SITE LAYOUT

SHEET TITLE:
TOWER ELEVATION & ANTENNA CONFIG.

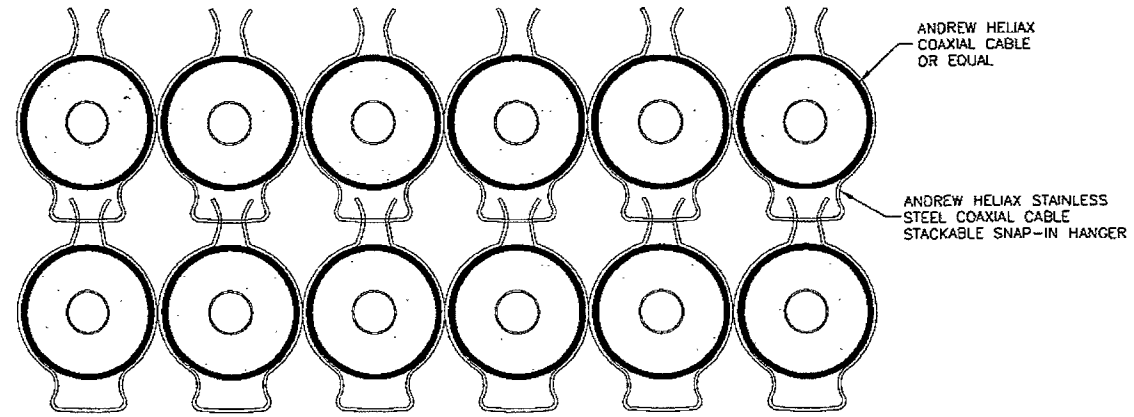
DRAWING NO. **C-2** REVISION: **0**



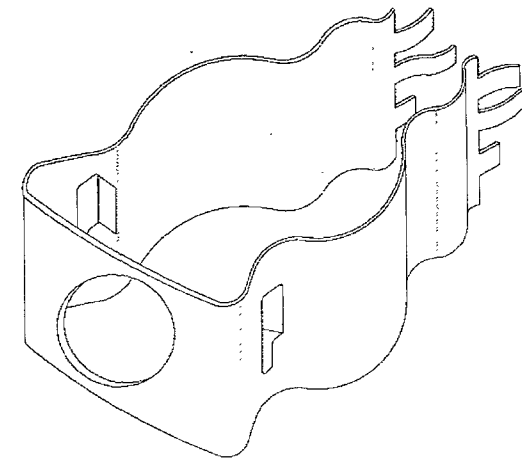
1 TYPICAL ANTENNA MOUNT DETAIL
SCALE: N.T.S.



2 TYPICAL ANTENNA MOUNT DETAIL
SCALE: N.T.S.



3 TYPICAL COAX ATTACHMENT DETAIL- PLAN VIEW
SCALE: N.T.S.



4 TYPICAL COAX ATTACHMENT DETAIL
SCALE: N.T.S.



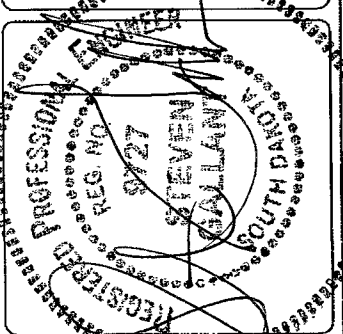
GENERAL DYNAMICS
Wireless Services



SSOE, INC.
ARCHITECTS • ENGINEER

SSOE PROJECT# 009-00982-00

THE INFORMATION CONTAINED IN THIS SET OF DOCUMENTS IS PROPRIETARY BY NATURE. ANY USE OR DISCLOSURE OTHER THAN THAT WHICH RELATES TO THE CLIENT IS STRICTLY PROHIBITED.



SITE NAME:	RAPID CITY E
SITE NUMBER:	132000896
SITE COORDINATES:	LAT: 44.08650 LON: -103.189
SITE ADDRESS:	1437 E. PHILADELPHIA RAPID CITY, SD 57703
DESIGN TYPE:	SITE LAYOUT

A&E PROJECT #:	009-00982-00
DRAWN BY:	MH
CHECKED BY:	FW

REVISIONS		
NO.	DATE	DESCRIPTION
0	07/13/10	SITE LAYOUT

SHEET TITLE:
COAX & ANTENNA ATTACHMENTS

DRAWING NO.	REVISION:
C-3	0