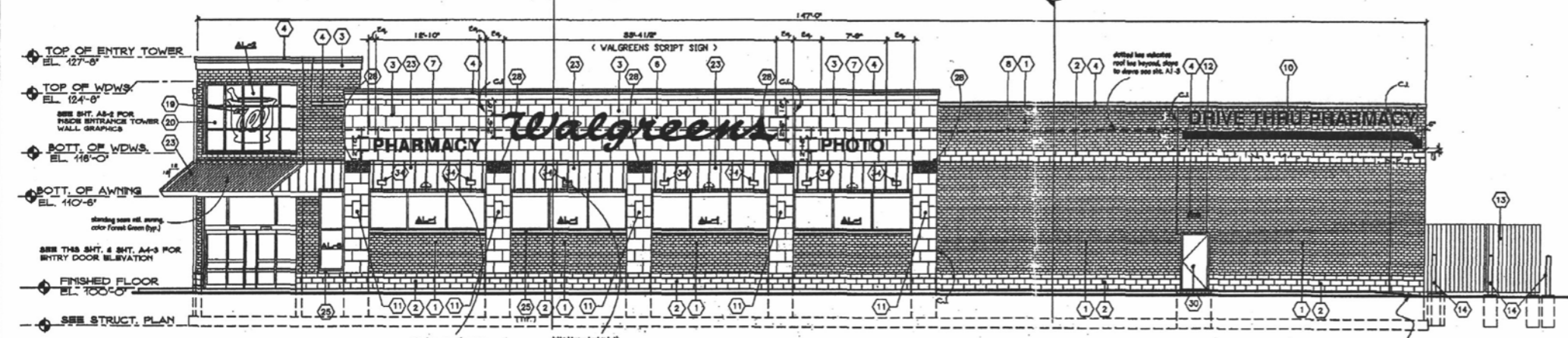


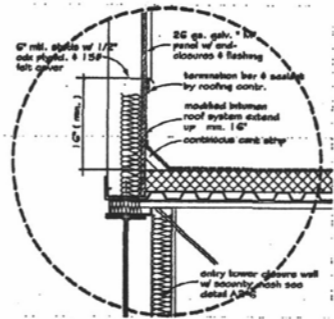
North Elevation
SCALE: 1/8" = 1'-0"



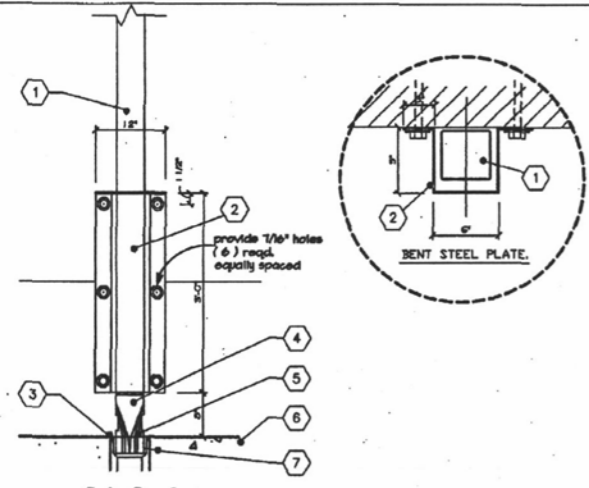
West Elevation
SCALE: 1/8" = 1'-0"

EXTERIOR ELEVATIONS KEYED NOTES

- DESCRIPTION
- 1 UTILITY SIZE FACE BRICK BY 'DCHS BRICK CO.' COLOR: 'TANGERINE VELOUR WIRECUT', MORTAR COLOR: 'STD. GREY NO MITERED CORNERS @ ENTRY PIERS, USE 135' SPECIAL BRICK SHAPE.
 - 2 RUNNING BOND SPLIT-FACE CMU, COLOR 'PUTTY' MORTAR COLOR TO MATCH CMU
 - 3 MANUFACTURED LIMESTONE BLOCK, (4x16x24) SEE SPECS. MORTAR COLOR TO MATCH LIMESTONE.
 - 4 PREFINISHED SHEET METAL COPING/WALL CAP/GUTTERS & DOWN SPOUTS @ ENTRY TOWER (COLOR - SIERRA TAN)
 - 4a PREFINISHED SHEET METAL DOWNSPOUTS (COLOR - SIERRA TAN)
 - 5 WALL HYDRANT.
 - 6 RED 'WALGREENS' SCRIPT SIGN, INTERNALLY ILLUMINATED. SEE DETAILS ON SHEET A5.2.
 - 7 INDIVIDUAL LETTER SIGN. ALIGN BOTTOM OF SIGN WITH BOTTOM OF 'W' OF WALGREENS SCRIPT SIGN. SEE DETAILS ON SHEET A5.2.
 - 8 ROOF LINE.
 - 9 TOTE STORAGE ENCLOSURE SEE SHT. A2-2
 - 10 INDIVIDUAL LETTER SIGN. SEE DETAILS ON SHEET A5.2.
 - 11 WALL-MOUNTED LIGHT. SEE ELECTRICAL DRAWING. AT TRASH COMPACTOR CONDITIONS WHERE THERE IS A SECOND SEPARATE ENCLOSURE, PROVIDE A SECOND FIXTURE.
 - 12 RAIN SHIELD.
 - 13 TRASH COMPACTOR ENCLOSURE. SEE DETAILS ON SHEET A1-8
 - 14 PIPE BOLLARD. SEE DETAIL SHT. A1-6
 - 15 FLEXIBLE DELINEATION POST.
 - 16 WINDOW SIGN. SEE SHEET A5.2.
 - 17 1/8" THICK BENT STEEL PLATE (TO PROTECT DOWNSPOUT), BOLTED TO MASONRY. SEE DETAIL THIS SHT. (COLOR - SIERRA TAN)
 - 18 "CLEARANCE" SIGN. SEE DETAIL ON SHEET A5.2.
 - 19 WALGREEN NEON GRAPHIC BEYOND. SEE DETAIL ON SHEET A5.2.
 - 20 GLAZING SYSTEM, (CLEAR ANODIZED ALUM. FRAME)
 - 21 STANDING SEAM METAL ROOF & GUTTERS (COLOR, FOREST GREEN)
 - 22 28GA. GALVANIZED "M" PANEL WITH END CLOSURES. PREFINISHED IN STANDARD COLOR THAT MOST APPROXIMATES THE ADJACENT BRICK.
 - 23 STD. SEAM MTL. AWNING (DASHED IN FOR CLARITY, WHERE SHOWN) (COLOR, FOREST GREEN)
 - 24 BOTTOM OF LOWER CASE LETTERS TO BE A MINIMUM OF 18" BELOW ROOF LINE; OR SIGN TO BE MOUNTED ON RACEMWAY TO AVOID ROOF MEMBRANE PENETRATION. PAINT RACEMWAY TO MATCH BRICK.
 - 25 CAST STONE SILL
 - 26 CUSTOMER UNIT & PNEUMATIC TUBE SEE SHT. A4-4
 - 27 VERTICAL FLUSH METAL PANEL, COLOR FOREST GREEN
 - 28 ROUGH-FACE MANUF. LIMESTONE BLOCK
 - 29 ROOF DRAIN OVERFLOW SEE PLUMBING PLAN.
 - 30 PAINT EXTERIOR DOORS & FRAMES TO MATCH BRICK COLOR.
 - 31 PUBLIC ADA ACCESSIBLE PAY PHONE.
 - 32 ADA PARKING SIGN (SEE SITE PLAN & SHT. A1-8)
 - 33 ADA PARKING SIGN WALL MTD. (WHERE APPLICABLE)
 - 34 CANOPY FLOODLIGHTS (SEE ELECT. PLAN)

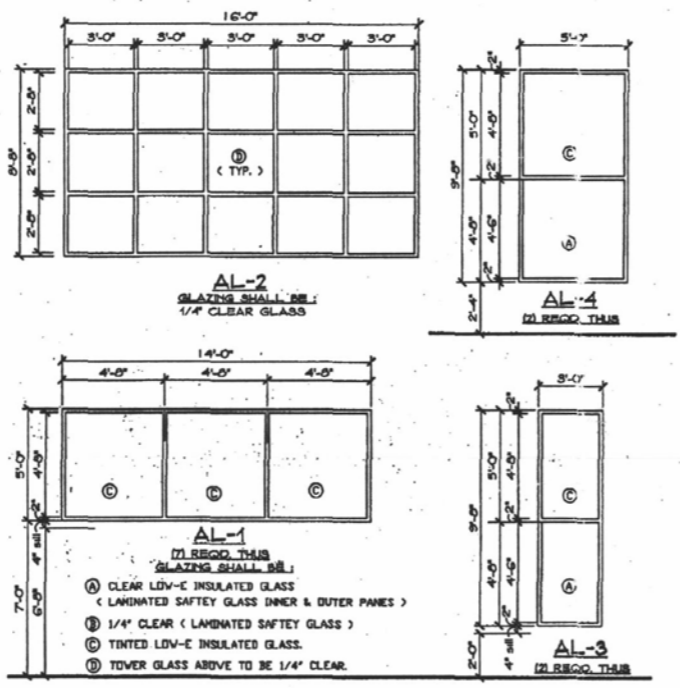


Roof Detail - Tower
SCALE: 3/8" = 1'-0"

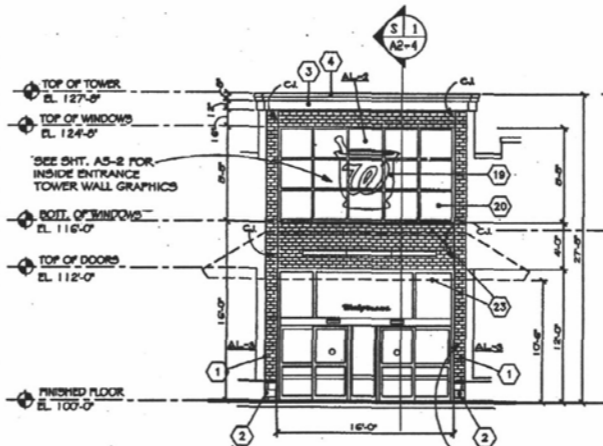


Sub-Surface Drainage Connection
SCALE: 1/8" = 1'-0"

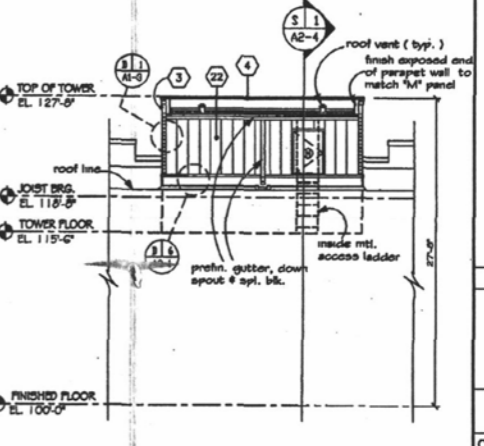
- 1 PREFINISHED METAL DOWNSPOUT (SIERRA TAN) TO BOTT. EDGE OF STD. SEAM - UPPER PORTION OF DOWNSPOUT (FOREST GREEN) TO MATCH STD. SEAM - NO PAINTED MATERIALS.
- 2 BENT STEEL PLATE PAINTED SIERRA TAN TO MATCH DOWNSPOUTS.
- 3 BACKERROD AND SEALANT ALL AROUND.
- 4 4"X4" SQUARE DOWNSPOUT TRANSITION W/ CLEANOUT, TO 4" DIAMETER PIPE @ DRIVE-THRU (PAINT ALL COMPONENTS TO MATCH DOWNSPOUTS)
- 5 1" X 2" PRESSURE SLOTS EACH SIDE.
- 6 LINE OF PAVING.
- 7 STORM DRAIN FLUSH WITH TOP OF PAVING REFER TO CIVIL DRAWINGS. ALIGN W/ ROOF SCUPPER ABOVE.
- 8 FIELD VERIFY DESIGN AND DIMENSIONS.



Alum. Frame Elevations
SCALE: 1/8" = 1'-0"
(VIEWED FROM EXTERIOR OF BLDG.)



Entry Tower Elevation
SCALE: 1/8" = 1'-0"



Entry Tower Elevation
SCALE: 1/8" = 1'-0"

STORE NUMBER 10656	
PROJECT NAME WALGREENS STORE 1902 MOUNT RUSHMORE ROAD RAPID CITY, SD	
DRAWING TITLE EXTERIOR ELEVATION - BEER & WINE	
CADD PLOT: 0858-A21-BW-08MAR10	SCALE: 1/8" = 1'-0"
VOID PLOT:	DRAWING NO.
DRAWN BY: B. HESTER	A0.1
DATE: 03/06/10	REVIEWED BY:
SUPERSEDES PLAN DATED:	OF DWGS.