

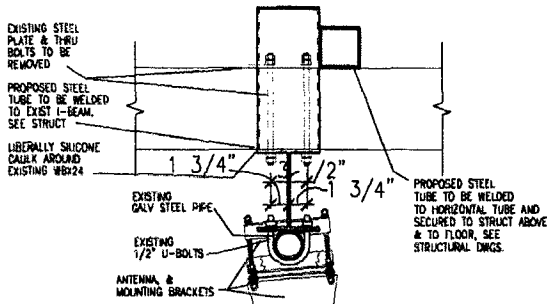
JUN 28 2010

ANTENNA KEY												
SECTOR	AZIMUTH	POSITION	FUNCTION	QTY	MANUFACTURER	MODEL	MO. TYPE	ANTENNA LENGTH	ANTENNA TYP	ANTENNA CENTER	ELEC DOWN/TILT	MECH DOWN/TILT
X SECTOR	350	1.1	TX/RX1	1	CSS	X7CAP-880-42	CDMA/EVDO	86"	94"	90"	0°	1°
	350		RX1				CDMA					
	350	1.2	TX/RX2			2ND PORT	CDMA/EVDO					
	350		TX/RX2				CDMA					
	350	2.1	TX/RX1	1	CSS	X7C-885-8	LTE	88"	94"	90"	0°	0°
Y SECTOR	110	1.1	TX/RX1	1	CSS	X7CAP-880-42	CDMA/EVDO	86"	94"	90"	0°	0°
	110		RX1				CDMA					
	110	1.2	TX/RX2			2ND PORT	CDMA/EVDO					
	110		TX/RX2				CDMA					
	110	2.1	TX/RX1	1	CSS	X7C-885-8	LTE	88"	94"	90"	0°	0°
Z SECTOR	230	1.1	TX/RX1	1	CSS	X7CAP-880-42	CDMA/EVDO	86"	94"	90"	0°	0°
	230		RX1				CDMA					
	230	1.2	TX/RX2			2ND PORT	CDMA/EVDO					
	230		TX/RX2				CDMA					
	230	2.1	TX/RX1	1	CSS	X7C-885-8	LTE	88"	94"	90"	0°	0°

COAX KEY							
QTY.	COAX TYPE	MANUFACTURER	MODEL	DIELECTRIC	DIAMETER (INCH)	RUN (FEET)	REMARKS
1	MAIN	ANDREW	LDF5-50	FOAM	7/8"	75'	
			INTERNALLY	DIPLEX			
1	MAIN	ANDREW	LDF5-50	FOAM	7/8"	75'	
			INTERNALLY	DIPLEX			
1	MAIN	ANDREW	LDF5-50	FOAM	7/8"	75'	
			INTERNALLY	DIPLEX			
1	MAIN	ANDREW	LDF5-50	FOAM	7/8"	75'	
			INTERNALLY	DIPLEX			
1	MAIN	ANDREW	LDF5-50	FOAM	7/8"	75'	
			INTERNALLY	DIPLEX			
1	MAIN	ANDREW	LDF5-50	FOAM	7/8"	75'	
			INTERNALLY	DIPLEX			
1	MAIN	ANDREW	LDF5-50	FOAM	7/8"	75'	
			INTERNALLY	DIPLEX			
8	JUMPER	ANDREW	LDF4-50	FOAM	1/2"	10'	

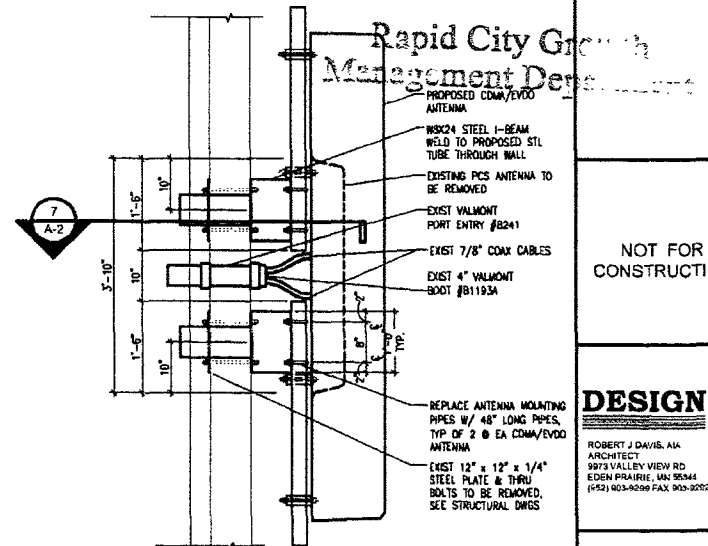
4 ANTENNA KEY
SCALE: NONE

3 COAX KEY
SCALE: NONE

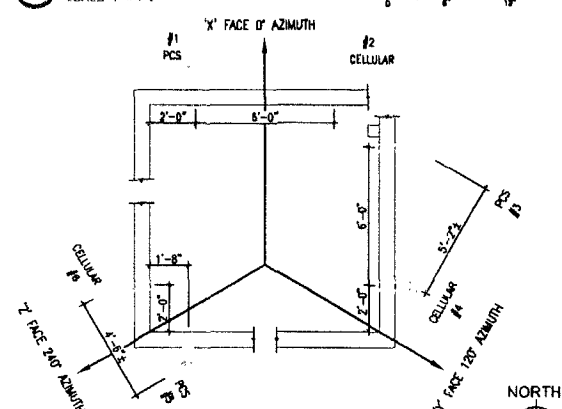


7 ANTENNA MOUNT DETAIL
SCALE: 1" = 1'-0"

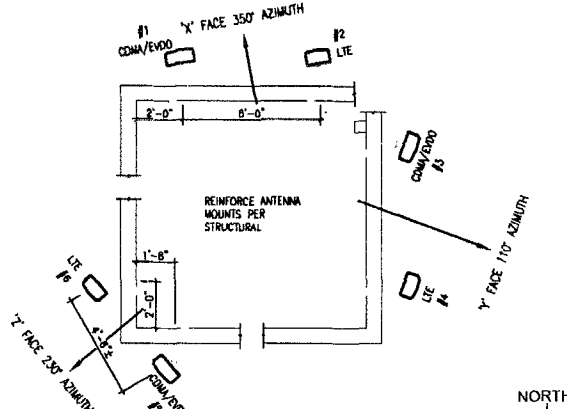
Antenna rodries are to be cleaned in accordance with SSPC SP-1 Solvent cleaning, scorbly lightly with steel wool to break glass.
Primer: (1) coat Sherwin Williams Pro-Cryl Primer.
Finish: (1) coat Sherwin Williams Sher-Cryl HPA. Color to match existing antennas



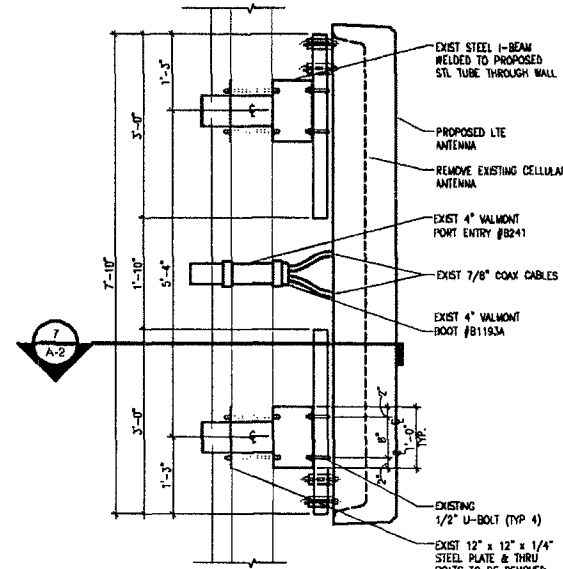
2 PROPOSED CDMA/EVDO MOUNT
SCALE: 1/2" = 1'-0"



5 EXISTING MOUNTING DETAIL
SCALE: 3/16" = 1'-0"



6 PROPOSED MOUNTING DETAIL
SCALE: 3/16" = 1'-0"



1 PROPOSED LTE MOUNT DETAIL
SCALE: 1/2" = 1'-0"

DESIGN

ROBERT J DAVIS, AIA
ARCHITECT
9075 VALLEY VIEW RD
EDEN PRAIRIE, MN 55544
(612) 903-9299 FAX 903-9202

VERIZON WIRELESS

1001 BUSH LAKE ROAD
BLOOMINGTON, MN 55438
(952) 945-4747

PROJECT
2010432285

RCYC
SO RAPID CITY
LTE

636 CATHEDRAL DRIVE
RAPID CITY, SD 57701

SHEET CONTENTS:
COAX & ANTENNA KEY
ANTENNA MOUNTING DETAIL
COAX ENTRY DETAIL

DRAWN BY: TRB
DATE: 3-31-10
CHECKED BY: TAB
REV A: 4-05-10
REV B: 05-13-10
REV D: 05-17-10