

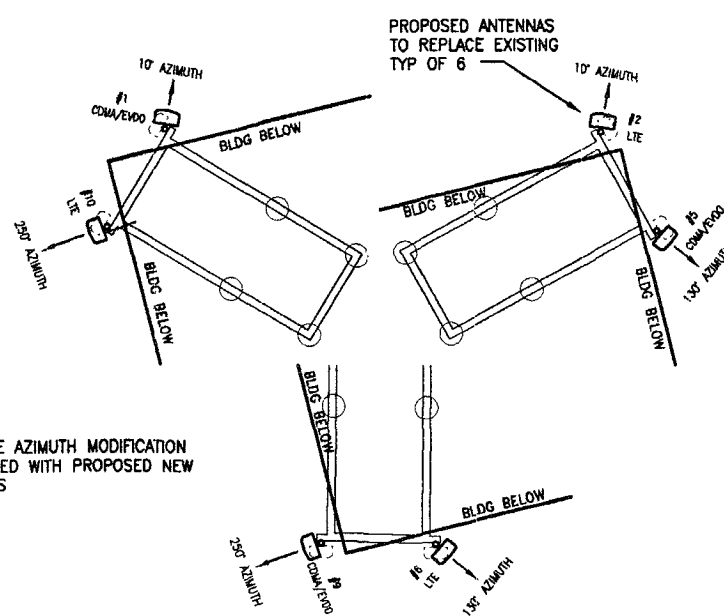
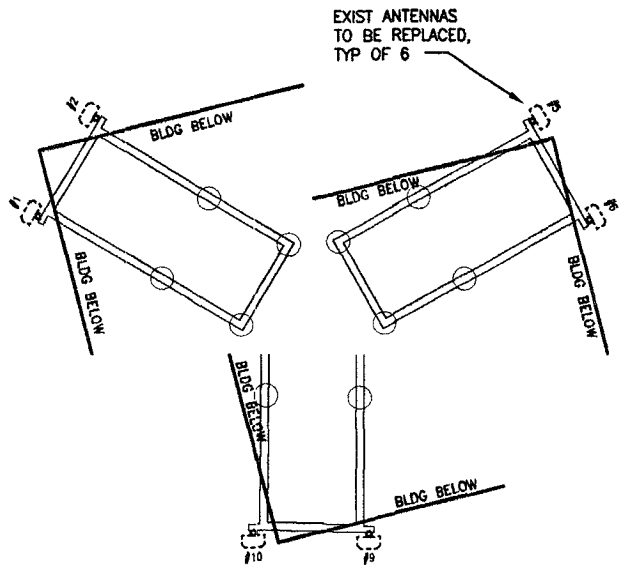
ANTENNA KEY												
	AZIMUTH	POSITION	FUNCTION	QTY	MANUFACTURER	MODEL	MOD TYPE	ANTENNA LENGTH	ANTENNA TP	ANTENNA CENTER	ELEG DOWN/TILT	MECH DOWN/TILT
12° SECTOR	10	1.1	TX/RX1	1	CSS	X7CAP-865-22	CDMA/EVDO	96"	134.5"	130.5'	0°	0°
			RX1				CDMA					
		1.2	TX/RX0			2ND PORT	CDMA/EVDO					
			RX0				CDMA					
136° SECTOR	10	2.1	TX/RX1	1	CSS	X7C-865-4	LTE	96"	134.5"	130.5'	0°	0°
			RX1				LTE					
		2.2	TX/RX0			2ND PORT	LTE					
			RX0				LTE					
240° SECTOR	9.1	1	TX/RX1	1	CSS	X7CAP-865-22	CDMA/EVDO	96"	134.5"	130.5'	0°	0°
			RX1				CDMA					
		9.2	TX/RX0			2ND PORT	CDMA/EVDO					
			RX0				CDMA					
240° SECTOR	10.1	1	TX/RX1	1	CSS	X7C-865-4	LTE	96"	134.5"	130.5'	0°	0°
			RX1				LTE					
	10.2	1	TX/RX0	1	CSS	X7C-865-4	LTE	96"	134.5"	130.5'	0°	0°
			RX0				LTE					

NOTE: THE FILTERS, DIPLEXERS AND DUPLEXERS ARE LOCATED INSIDE THE SHELTER & NOT ON THE TOWER

COAX KEY										
QTY.	COAX TYPE	MANUFACTURER	MODEL	DIELECTRIC	DWAMETER (INCH)	RUN (FEET)				
1	MAIN	ANDREW	LD7-50	FOAM	1-5/8"	80'				
INTERNALLY DIPLEXED										
1	MAIN	ANDREW	LD7-50	FOAM	1-5/8"	80'				
INTERNALLY DIPLEXED										
1	MAIN	ANDREW	LD7-50	FOAM	1-5/8"	70'				
INTERNALLY DIPLEXED										
1	MAIN	ANDREW	LD7-50	FOAM	1-5/8"	70'				
INTERNALLY DIPLEXED										
1	MAIN	ANDREW	LD7-50	FOAM	1-5/8"	90'				
INTERNALLY DIPLEXED										
1	MAIN	ANDREW	LD7-50	FOAM	1-5/8"	90'				
INTERNALLY DIPLEXED										
1	MAIN	ANDREW	LD7-50	FOAM	1-5/8"	90'				
INTERNALLY DIPLEXED										
1	MAIN	ANDREW	LD7-50	FOAM	1-5/8"	80'				
INTERNALLY DIPLEXED										
1	MAIN	ANDREW	LD7-50	FOAM	1-5/8"	80'				
INTERNALLY DIPLEXED										
2	JUMPER	ANDREW	LD4-50	FOAM	1/2"	10'				

4 ANTENNA KEY  
SCALE: NONE

3 COAX KEY  
SCALE: NONE



NOTE THE AZIMUTH MODIFICATION ASSOCIATED WITH PROPOSED NEW ANTENNAS

5 EXISTING MOUNTING DETAIL  
SCALE: 3/16" = 1'-0"

6 PROPOSED MOUNTING DETAIL  
SCALE: 3/16" = 1'-0"

RECEIVED

JUN 2 2010

Rapid City Growth Management Department

I hereby certify that the portion of this technical submission on which the following was prepared by me or under my direct supervision and comparable groups. I am a duly registered Architect under the laws of the State of South Dakota. ROBERT J. DAVIS, Reg. No. 1788

Signed: \_\_\_\_\_  
Date \_\_\_\_\_

DESIGN

ROBERT J. DAVIS, AIA  
ARCHITECT  
875 VALLEY VIEW RD  
EDEM PRAIRIE, MN 55344  
(621) 963-8298 FAX: 953-9292

VERIZON WIRELESS

10801 BUSH LAKE ROAD  
BLOOMINGTON, MN 55628  
(621) 946-4747

PROJECT  
2010432224

RCYC  
DT RAPID CITY  
LTE

909 ST. JOSEPH STREET  
RAPID CITY, SD 57701

SHEET CONTENTS:

COAX & ANTENNA KEY  
ANTENNA MOUNTING DETAIL  
COAX ENTRY DETAIL

DRAWN BY:	TRB
DATE:	3-31-10
CHECKED BY:	T.G.B
REV. A	4-16-10
REV. D	5-7-10