

Placement of  
railing & awning

908 Main St  
Bully BLENDS

RECEIVED

MAY 06 2010

Rapid City Growth  
Management Department



WROUGHT-IRON RAILING  
for BULLY BLENDS  
908 Main St.

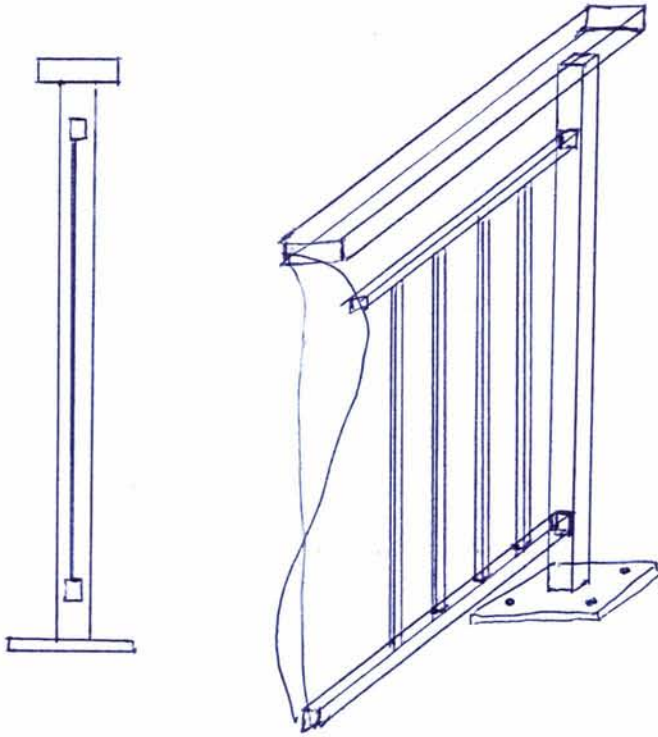
from All-Metal Manu.  
owner: Tim Burke  
Rapid City SD

RECEIVED

MAY 06 2010

Rapid City Growth  
Management Department

10SC002



To: Aida  
Bolly Blends  
From: Tori e  
All metal -

BOLTED DOWN WITH HILTI HCA  
ANCHORS! THESE ANCHORS THREAD  
THEMSELVES TO THE CONCRETE  
AND CAN BE READILY REMOVED  
AND REINSTALLED.

Tim Burke  
04/23/2010



Medium-duty Anchors

*TIM FROM ALL METAL MFG. 787-4677*

HUS-H Screw Anchor



Features and Applications

- Quick and easy to install, therefore ideal for serial fastenings
- Save up to 50% on installation time
- Deltatone coating and 2-step heat treatment process provide reliable fastening
- Works with standard drill bits
- Suitable for limited edge distances and spacing
- Completely removable for temporary fastenings

Technical Data | HUS-H

- Base material**
- Concrete
- Anchor material**
- Carbon steel, partially hardened, deltatone coating
- Listings/Approvals**
- Qualified under an NAQA-1 nuclear quality program



HUS-H 3/8" screw anchor with hexagon head 1/2" AF, 11/16" washer diameter

Description	Bit Dia	Anchor Length	Box Combo (includes bit*)		Master Carton		Qty	Allowable Loads <sup>1</sup> 4000 psi Concrete					
			Item No.	Qty	Item No.	Qty		Item No.	Bit Qty	Emb Depth	Tension (lb)	Shear (lb)	
HUS-H 3/8" x 2-1/8"	5/16"	2-1/8"	00336686	50	03455251	1	00305618	600	03455266	6	2"	1025	1490
HUS-H 3/8" x 2-5/8"	5/16"	2-5/8"	00336687	50	03455252	1	00305619	600	03455267	6	2"	1025	1490
<b>HUS-H 3/8" x 3"</b>	5/16"	3"	00336688	50	03455253	1	00305620	400	03455268	3	2-3/4"	1785	1490
HUS-H 3/8" x 4"	5/16"	4"	00304503	50	03455254	1	00305621	300	03455269	3	2-3/4"	1785	1490
HUS-H 3/8" x 5"	5/16"	5"	00304504	50	03455255	1	00305622	300	03455270	3	2-3/4"	1785	1490
HUS-H 3/8" x 6"	5/16"	6"	00336692	50	03455256	1	00305623	300	03455271	3	2-3/4"	1785	1490

HUS-H 1/2" screw anchor with hexagon head 5/8" AF, 9/10" washer diameter

Description	Bit Dia	Anchor Length	Box Combo (includes bit*)		Master Carton		Qty	Allowable Loads <sup>1</sup> 4000 psi Concrete					
			Item No.	Qty	Item No.	Qty		Item No.	Bit Qty	Emb Depth	Tension (lb)	Shear (lb)	
HUS-H 1/2" x 2-1/2"	7/16"	2-1/2"	00304505	50	03455257	1	00305624	300	03455272	3	2"	1055	1760
HUS-H 1/2" x 3"	7/16"	3"	00304506	50	03455258	1	00305625	300	03455273	3	2"	1055	1760
HUS-H 1/2" x 4"	7/16"	4"	00304507	50	03455259	1	00305626	150	03455274	2	3"	1855	2365
HUS-H 1/2" x 5"	7/16"	5"	00304508	50	03455260	1	00305627	150	03455275	2	3"	1855	2365
HUS-H 1/2" x 6"	7/16"	6"	00304509	50	03455261	1	00305628	150	03455276	2	3"	1855	2365

HUS-H 5/8" screw anchor with hexagon head 13/16" AF, 1-3/16" washer diameter

Description	Bit Dia	Anchor Length	Box Combo (includes bit*)		Master Carton		Qty	Allowable Loads <sup>1</sup> 4000 psi Concrete					
			Item No.	Qty	Item No.	Qty		Item No.	Bit Qty	Emb Depth	Tension (lb)	Shear (lb)	
HUS-H 5/8" x 3"	9/16"	3"	00282903	20	03455262	1	03001533	160	03455277	2	2-3/8"	1435	3005
HUS-H 5/8" x 4"	9/16"	4"	00282904	20	03455263	1	03001534	80	03455278	1	2-3/8"	1435	3005
HUS-H 5/8" x 5"	9/16"	5"	00282905	20	03455264	1	03001535	80	03455279	1	4"	3190	4905
HUS-H 5/8" x 6"	9/16"	6"	00282906	20	03455265	1	03001536	60	03455280	1	5-3/8"	4430	4905

\* Combos include starter quantities of TE-C3X or TE-C (where applicable) masonry bits. As base materials vary, additional bits may be necessary.  
<sup>1</sup> Always refer to Hilti Product Technical Guide for complete details on anchor specifications, limitations, explanation of data, information on other base materials and embedments, and other technical data

Setting Tools for HUS-H Screw Anchors

Description	Length	Width Across Flats	Qty	Item No.
SI 100 Impact Wrench (Standard) Includes tool only in an impact-resistant plastic tool box			1	00334203
Impact Sockets for 3/8" HUS-H Screw Anchor				
S-NSD 1/2"-1/2" Short	1-9/16"	1/2"	1	00304750
S-NSD 1/2"-1/2" Long	3-1/2"	1/2"	1	00340649
Impact Sockets for 1/2" HUS-H Screw Anchor				
S-NSD 1/2"-5/8" Short	1-9/16"	5/8"	1	00305475
S-NSD 1/2"-5/8" Long	3-1/2"	5/8"	1	00370562
Impact Sockets for 5/8" HUS-H Screw Anchor				
S-NSD 1/2"-13/16" Short	1-9/16"	13/16"	1	00314674
S-NSD 1/2"-13/16" Long	3-1/2"	13/16"	1	00371836
Replacement O-Ring and Pin Set Includes 3 rings and 3 pins			1	00336619



