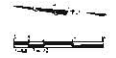


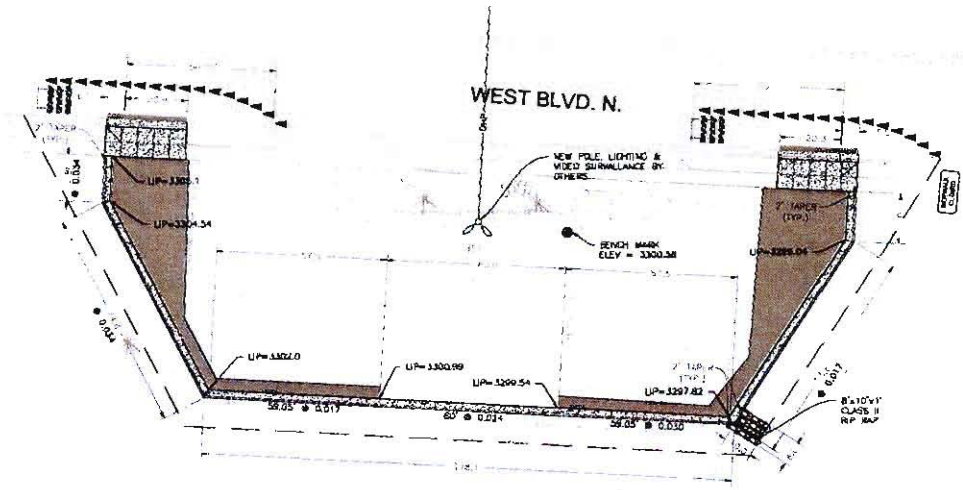
Rapid City Growth Management Department



CITY OF RAPID CITY
 PUBLIC WORKS DEPARTMENT



ANAMOSA ST.



- CONSTRUCT
- ASPHALT PAVEMENT 327 SY
 - REINFORCED DRIVEWAY APPROACH: 511 SF
 - REINFORCED CURB & GUTTER 414 LF
- (SEE DETAIL ON SHEET 6 OF 6)



Scale: 1/4" = 1'-0"
 Prepared By: DJ
 Checked By: MP
 Design Date: 2/18/10
 Project No.: 54105-1726
 Drawn By: DJ
 Date: 2/18/10

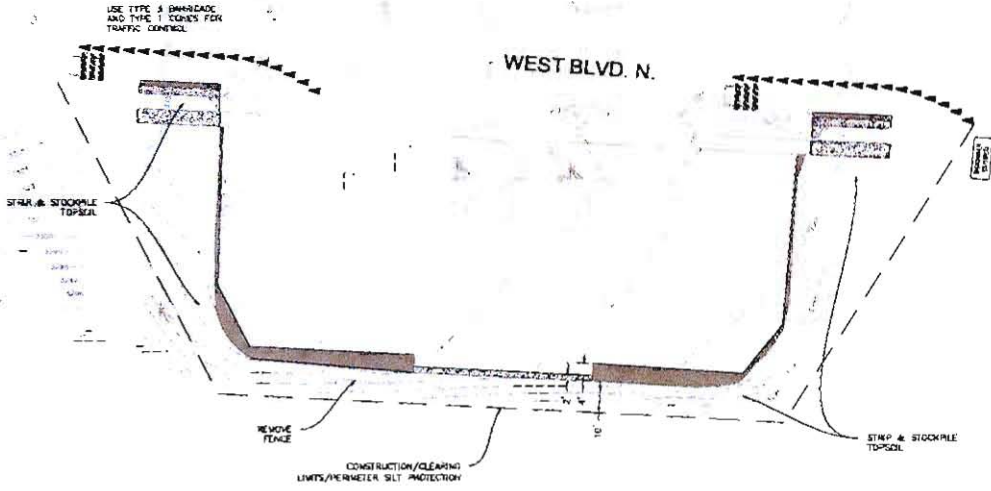
YARD WASTE SITE IMPROVEMENT
 WEST BLVD. NORTH

CITY OF RAPID CITY PROJECT NO. 54105-1726

Scale: 1/4" = 1'-0"
 CONSTRUCTION
 PLAN

Rapid City Growth Management Department

ANAMOSA ST.



- ASPHALT REMOVAL 102 SF
- CONCRETE PAVEMENT REMOVAL 140 SF
- CURB & GUTTER REMOVAL 24 LF
- SIDEWALK REMOVAL 240 SF



CITY OF RAPID CITY
PUBLIC WORKS DEPARTMENT

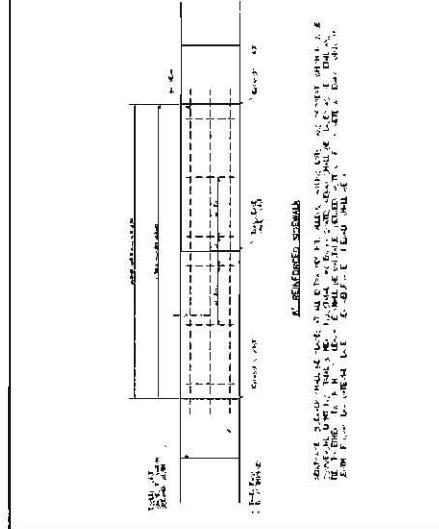
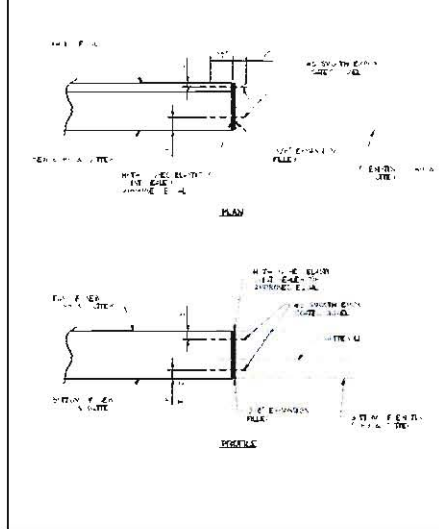
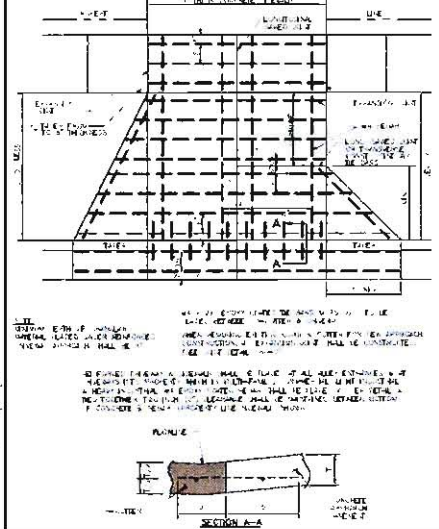
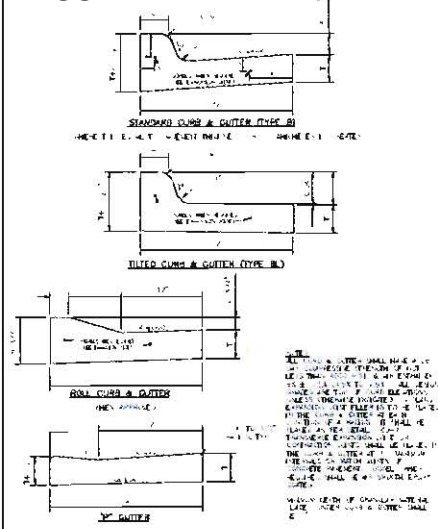


Sheet	1 of 2
Drawn by	SP
Checked by	SP
Design Date	1/15/10
Project No.	10SR011
Contract No.	
Scale	

YARD WASTE SITE IMPROVEMENT WEST BLVD. NORTH

CITY OF RAPID CITY PROJECT NO. 10SR011

Sheet No.	EXISTING & REMOVALS PLAN
Page	2 of 5

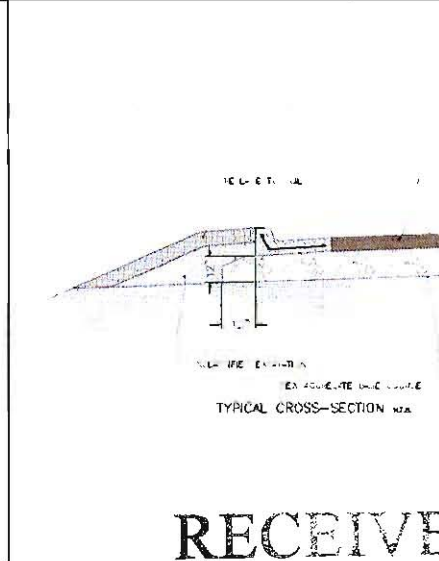
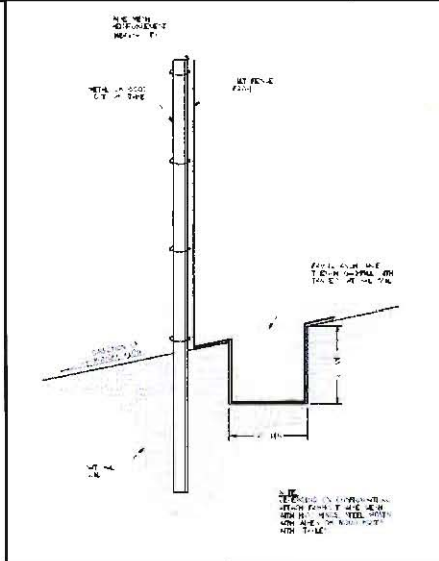
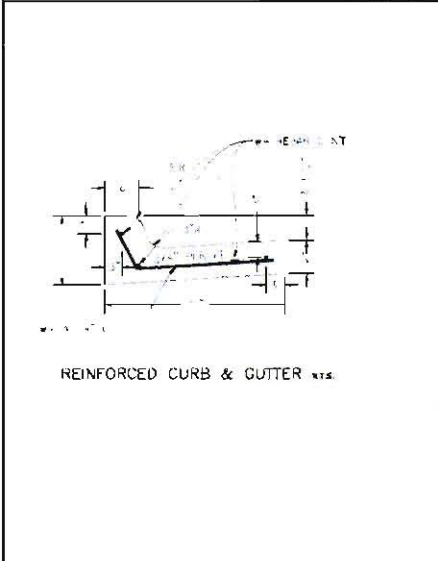


CITY OF RAPID CITY PUBLIC WORKS DEPARTMENT
 DATE: 5-1-07
 SHEET NO. 60-2

CITY OF RAPID CITY PUBLIC WORKS DEPARTMENT
 DATE: 5-1-07
 SHEET NO. 60-4

CITY OF RAPID CITY PUBLIC WORKS DEPARTMENT
 DATE: 5-1-07
 SHEET NO. 60-7

CITY OF RAPID CITY PUBLIC WORKS DEPARTMENT
 DATE: 5-1-07
 SHEET NO. 61-3



QUANTITIES

ITEM NO.	DESCRIPTION OF ITEM	UNIT	QTY (EST.)
1	NO. 4 REBAR	LS	1.00
2	NO. 4 REBAR	LS	1.00
3	REINFORCED CONCRETE PAVEMENT	SF	144.00
4	REINFORCED CONCRETE SIDEWALK	SF	270.00
5	REINFORCED CURB AND GUTTER	SF	54.00
6	REINFORCED ASPHALT	SF	324.00
7	REINFORCED ASPHALT & REPLACE INTERLOCK	SF	198.00
8	ASPHALT'S 1/2 IN. SOL. TEST	EA	2.00
9	EXCAVATION (1/2 IN. ASSUMED)	CY	144.00
10	CONCRETE BASE COURSE	TTW	324.00
11	REINFORCED CONCRETE CURB AND GUTTER	LS	177.00
12	REINFORCED CONCRETE APPROACH PAVEMENT	SF	80.00
13	ASPHALT CONCRETE CLASS 0 TYPE 1	TTW	115.00
14	INTERLOCKING TRUCK DOG	Sq.	32.00
15	REBAR	TTW	6.00
16	WELDED WIRE MESH	SF	700.00
17	TRAPPING CONTROL	LS	1.00
18	CRACK REPAIR AND CONTROL	LS	400.00

CITY OF RAPID CITY
 PUBLIC WORKS DEPARTMENT
 ENGINEER: [Signature]
 SURVEYOR: [Signature]

YARD WASTE SITE IMPROVEMENT WEST BLVD. NORTH

CITY OF RAPID CITY PROJECT NO. 14060-178

STANDARD DETAILS & QUANTITIES

8 of 8

RECEIVED