

FEB - 5 2010

Rapid City Growth  
Management Department



DESIGN INC

PO Box 468  
Hill City, SD 57745  
605-574-4692 (office)  
605-574-4695 (fax)  
605-430-5170 (cell)  
ray@berberichdesign.com

Client:  
**Rapid City Regional Airport**  
4550 Terminal Road  
Suite 102  
Rapid City, SD 57703

Contact:  
Jennifer Eckman  
605-394-4195 office  
605-394-6190 fax

Project:  
Exterior Signage Package

Date:  
2/05/2009

Notes / Revisions:  
-  
-  
-

The sole purpose of all drawings is to express visual design intent only and not intended for actual fabrication purposes. The sign fabricator(s) and / or contractor(s) accepts total responsibility for all final selected materials, engineering methods, fabrication methods, permitting and installation.

This document is the sole property of Berberich Design, Inc, and all drawing are protected under US copyright law. The reproduction, reuse and sales rights regarding the drawings and designs herein are expressly forbidden. It is submitted under a confidential relationship, for a special purpose, and the recipient, by accepting this document shall not be copied or reproduced in whole or in part, nor its contents revealed in any manner or to any person except for the purpose for which it was tendered, nor any special features peculiar to this design be incorporated in other projects.

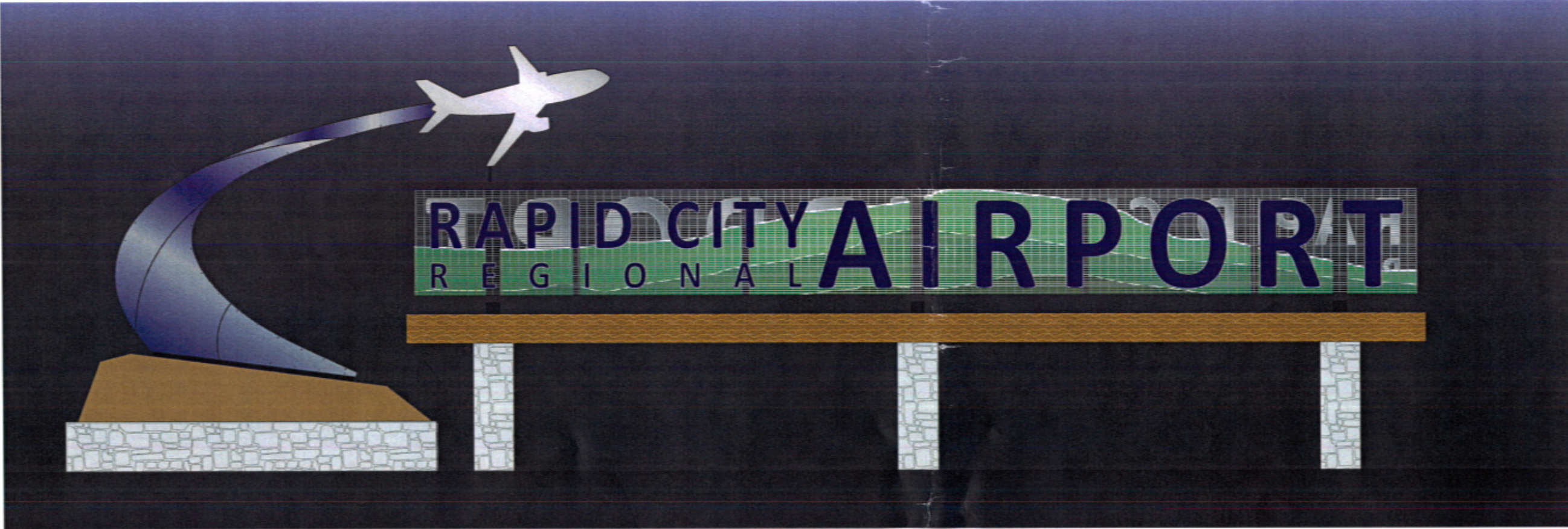
© 2009 BERBERICH DESIGN

Main Site Sign

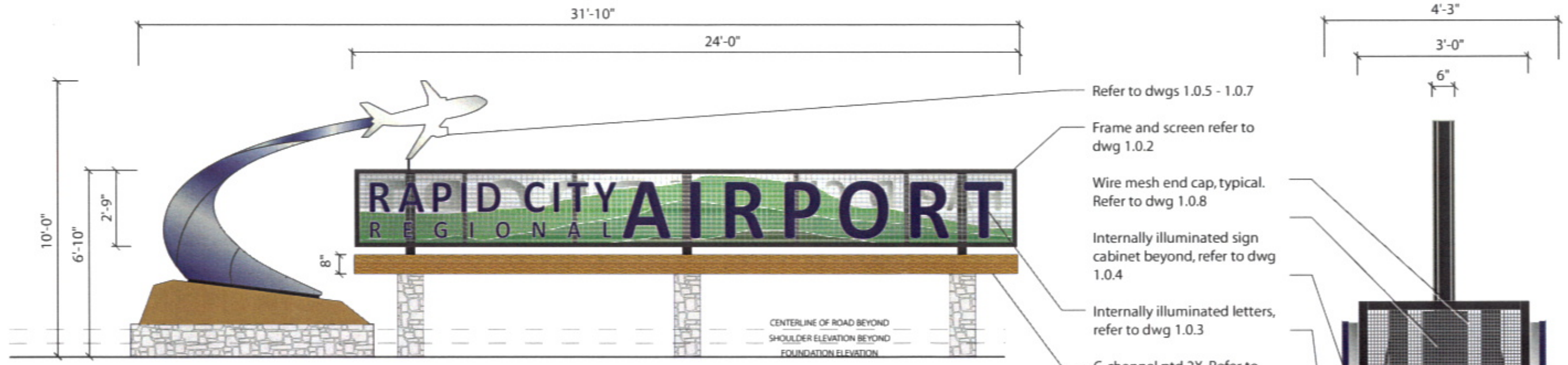
1.0.0



1.0.0 Main Site Sign  
A SCALE: nts

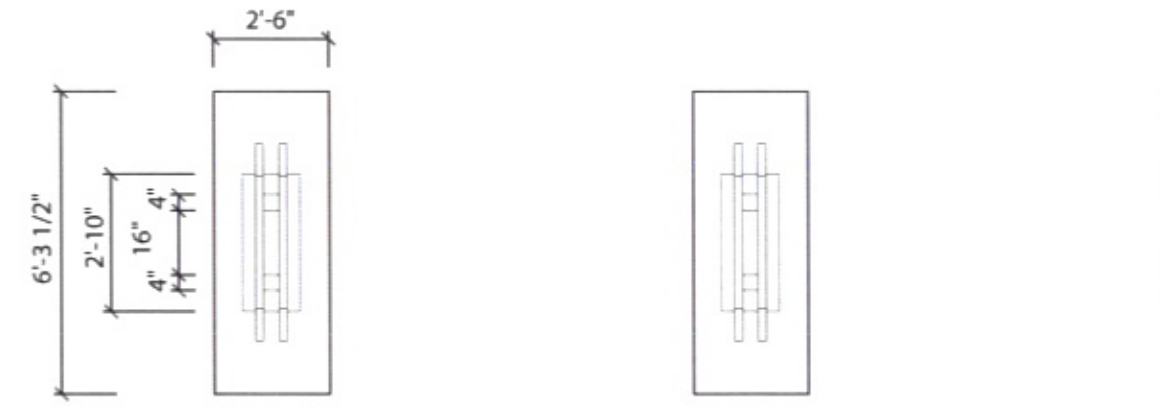


1.0.0 Main Site Sign  
B SCALE: nts



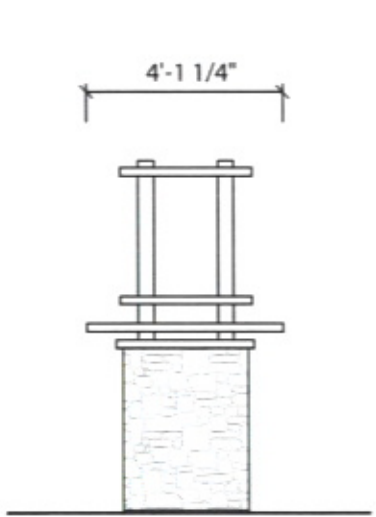
1.0.1 Main Site Sign - Elevation  
A SCALE: 1/4" - 1'-0"

- Refer to dwgs 1.0.5 - 1.0.7
- Frame and screen refer to dwg 1.0.2
- Wire mesh end cap, typical. Refer to dwg 1.0.8
- Internally illuminated sign cabinet beyond, refer to dwg 1.0.4
- Internally illuminated letters, refer to dwg 1.0.3
- C-channel ptd 2X. Refer to dwg 1.0.8 for details

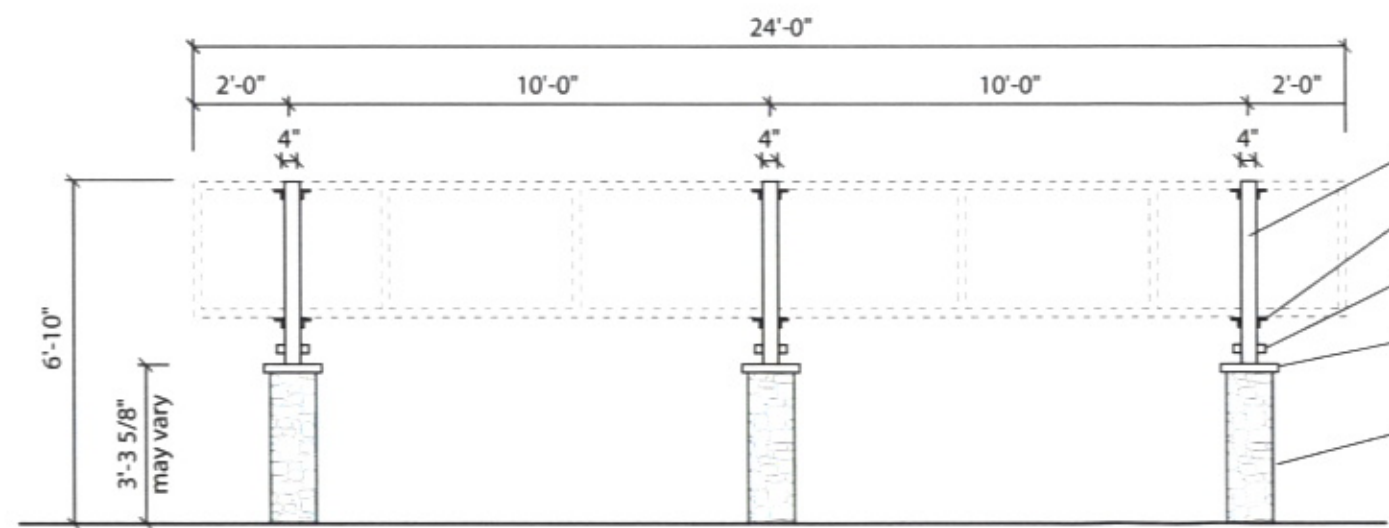


1.0.1 Main Site Sign - Foundations Plan View  
C SCALE: 1/4" - 1'-0"

- Concrete pad and footer
- Stone base with concrete cap
- 4" square tube
- 2" angle, typ.
- 2" square tube, typ



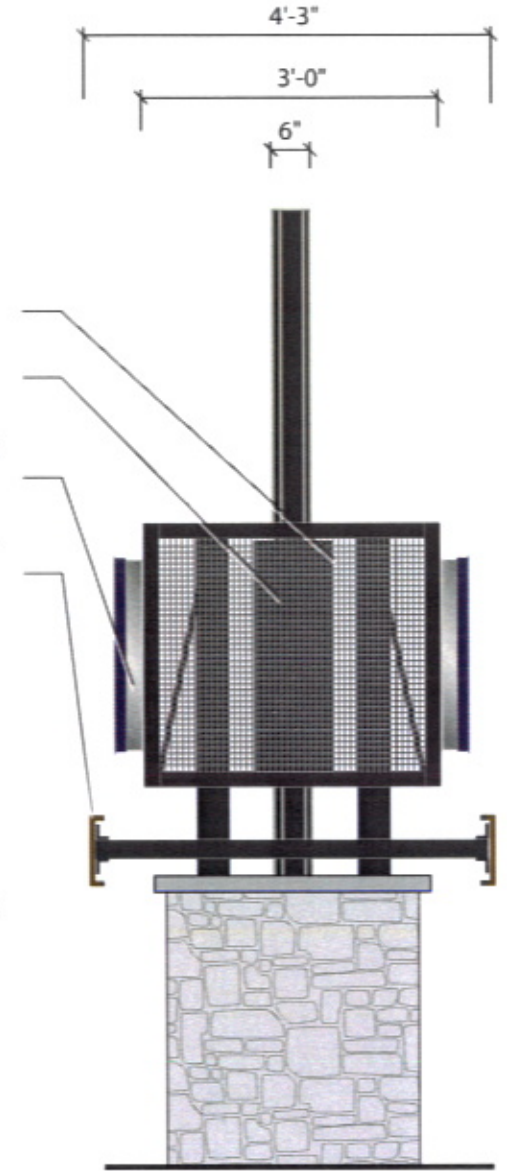
1.0.1 Main Site Sign  
E SCALE: 1/4" - 1'-0"



1.0.1 Main Site Sign - Foundations  
D SCALE: 1/4" - 1'-0"

- 4" square tube
- 2" angle, typ.
- 2" square tube, typ. Support for C-channel
- Stone base with concrete cap
- Concrete foundation

NOTE:  
- All exposed edges and corners of concrete pad to be chamfered  
- Match natural stone per architects specification. Verify  
- Height of stone base may vary. Field verify.



1.0.1 Main Site Sign - Side View  
B SCALE: 1/2" - 1'-0"

NOTE:  
- Provide three power outlets suitable for exterior conditions. One outlet to be located in fabricated base, two outlets to be incorporated into each end of the sign structure and ptd black  
  
- Provide external illumination, four (4) locations each side. External lighting fixtures to be determined. Allowance for eight (8) fixtures to be \$2500.00.



DESIGN INC  
PO Box 468  
Hill City, SD 57745  
605-574-4692 (office)  
605-574-4695 (fax)  
605-430-5170 (cell)  
ray@berberichdesign.com

Client:  
**Rapid City Regional Airport**  
4550 Terminal Road  
Suite 102  
Rapid City, SD 57703

Contact:  
Jennifer Eckman  
605-394-4195 office  
605-394-6190 fax

Project:  
Exterior Signage Package

Date:  
2/05/2009 RECEIVED

Notes / Revisions:  
- FEB - 5 2010

Rapid City Growth  
Management Department

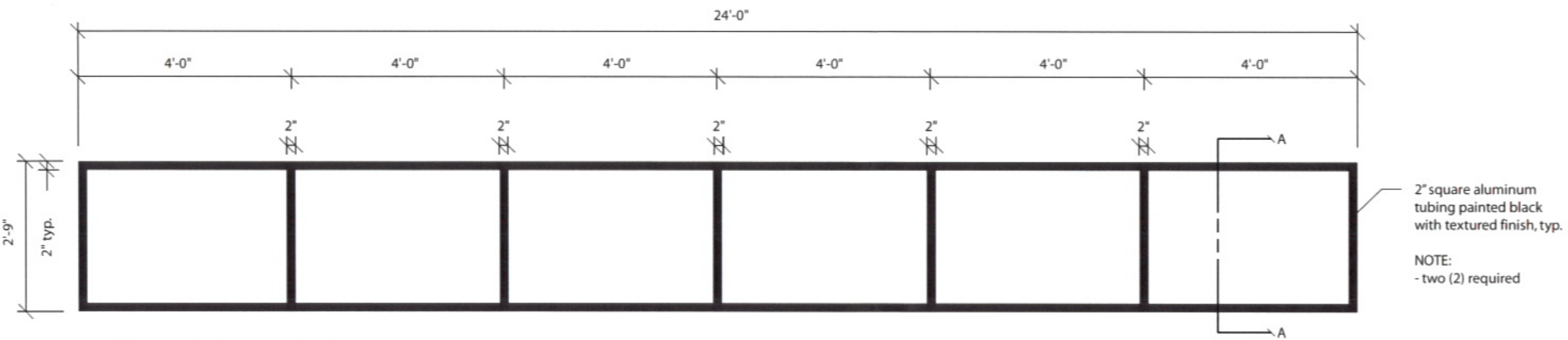
The sole purpose of all drawings is to express visual design intent only and not intended for actual fabrication purposes. The sign fabricator(s) and / or contractor(s) accepts total responsibility for all final selected materials, engineering methods, fabrication methods, permitting and installation.

This document is the sole property of Berberich Design, Inc., and all drawing are protected under US copyright law. The reproduction, reuse and sales rights regarding the drawings and designs herein are expressly forbidden. It is submitted under a confidential relationship, for a special purpose, and the recipient, by accepting this document shall not be copied or reproduced in whole or in part, nor its contents revealed in any manner or to any person except for the purpose for which it was tendered, nor any special features peculiar to this design be incorporated in other projects.

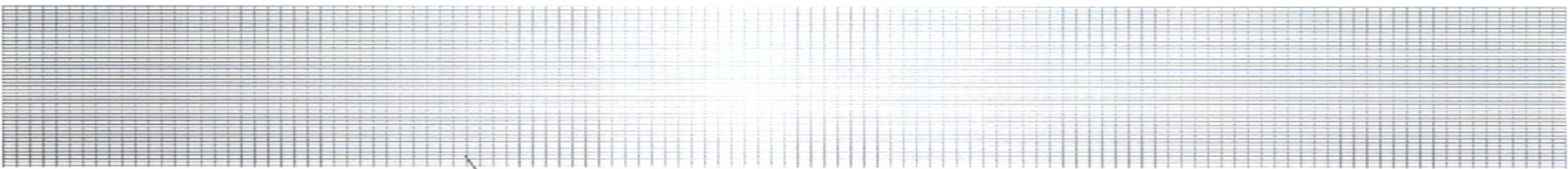
© 2009 BERBERICH DESIGN

Main Site Sign

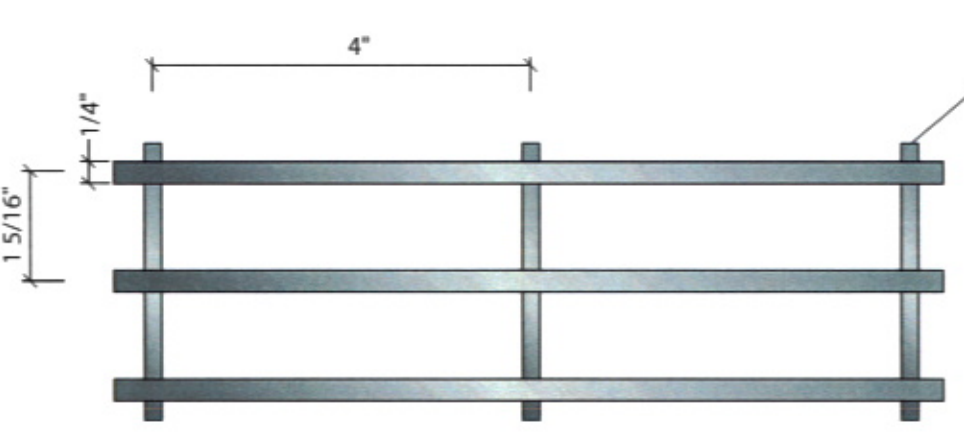
1.0.1



1.0.2 Main Site Sign - Framing Detail  
A SCALE: 1/4" - 1'-0"



1.0.2 Main Site Sign - Inset Grating  
B SCALE: 1/4" - 1'-0"

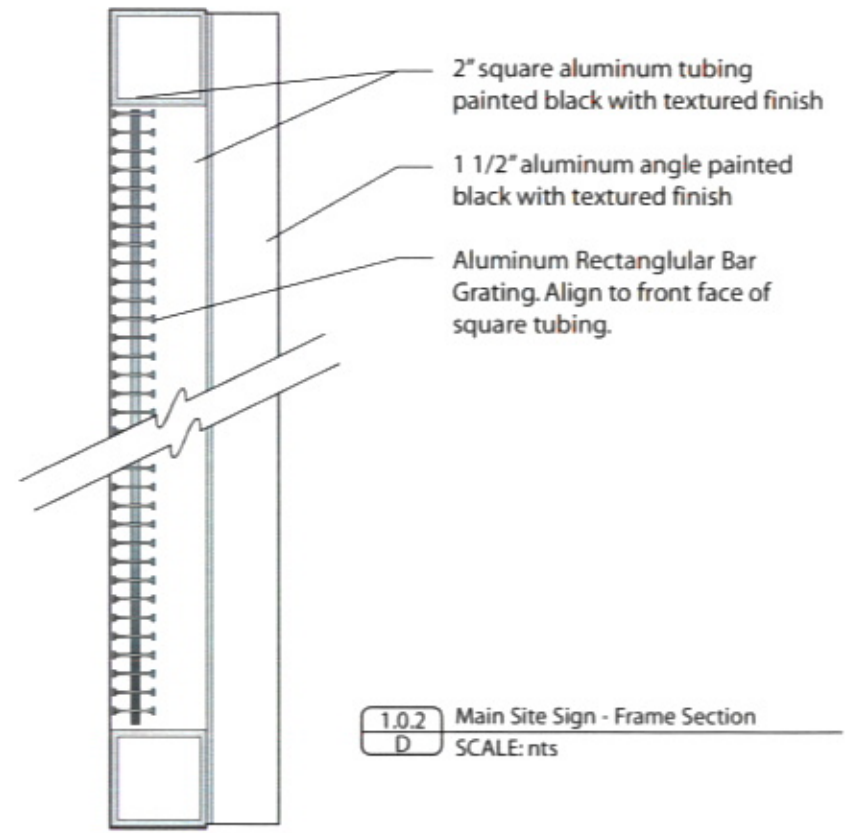


1.0.2 Main Site Sign - Inset Grating Detail  
C SCALE: 1:2

Aluminum Rectangular Bar Grating  
15-SGI-4 or equal. Two required

[http://www.directmetals.com/dm/bar\\_grating\\_aluminum.asp](http://www.directmetals.com/dm/bar_grating_aluminum.asp)

Direct Metals:  
560-B Old Skokie Rd.  
Park City, IL 60085  
Phone: 847-599-0233  
Fax: 847-599-0244  
Toll-Free: 1-800-711-4939  
info@directmetals.com



1.0.2 Main Site Sign - Frame Section  
D SCALE: nts



DESIGN INC  
PO Box 468  
Hill City, SD 57745  
605-574-4692 (office)  
605-574-4695 (fax)  
605-430-5170 (cell)  
ray@berberichdesign.com

Client:  
**Rapid City Regional Airport**  
4550 Terminal Road  
Suite 102  
Rapid City, SD 57703

Contact:  
Jennifer Eckman  
605-394-4195 office  
605-394-6190 fax

Project:  
Exterior Signage Package

RECEIVED  
Date: 2/05/2010

Notes / Revisions:  
FEB - 3 2010

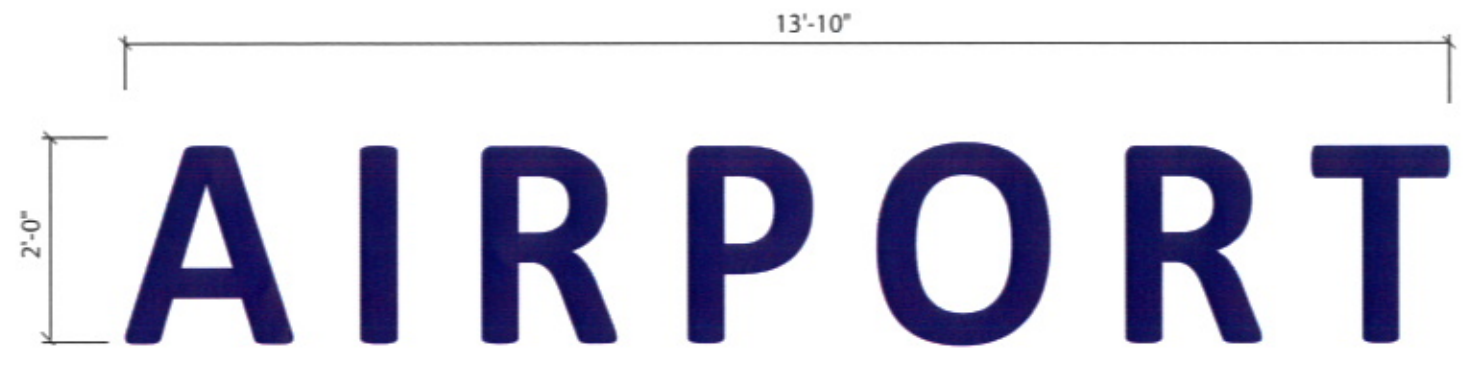
Rapid City Growth  
Management Department

The sole purpose of all drawings is to express visual design intent only and not intended for actual fabrication purposes. The sign fabricator(s) and / or contractor(s) accepts total responsibility for all final selected materials, engineering methods, fabrication methods, permitting and installation.

This document is the sole property of Berberich Design, Inc., and all drawing are protected under US copyright law. The reproduction, reuse and sales rights regarding the drawings and designs herein are expressly forbidden. It is submitted under a confidential relationship, for a special purpose, and the recipient, by accepting this document shall not be copied or reproduced in whole or in part, nor its contents revealed in any manner or to any person except for the purpose for which it was tendered, nor any special features peculiar to this design be incorporated in other projects.

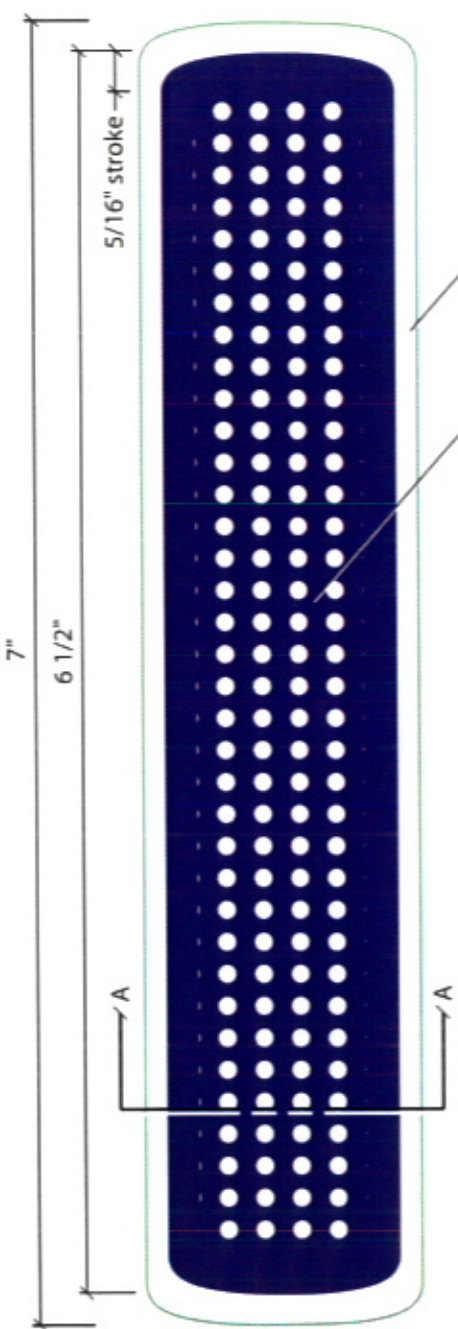
© 2009 BERBERICH DESIGN

Main Site Sign



1.0.3 Main Site Sign - Letter Section AA  
A SCALE: Full

1.0.3 Main Site Sign  
D SCALE: 1/4" - 1'-0"



1.0.3 Main Site Sign - Letter  
B SCALE: Full

Internally illuminated LED channel letter with return ptd MP20031

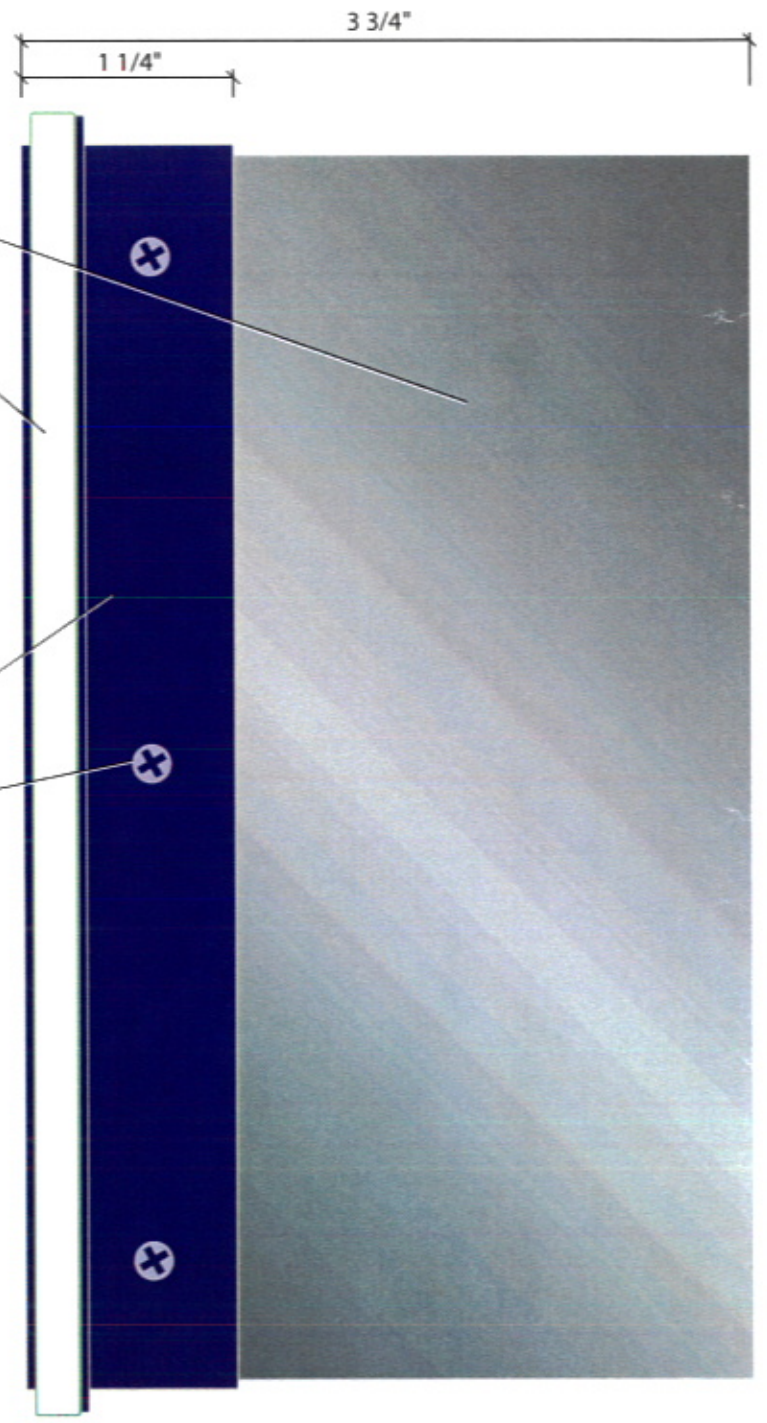
Stroke to be 1/4" thick green acrylic with eased and flame finished edges.

Applied perforated vinyl face to match MP22022. Perforation to be 3/32" holes with 23% +/- open area

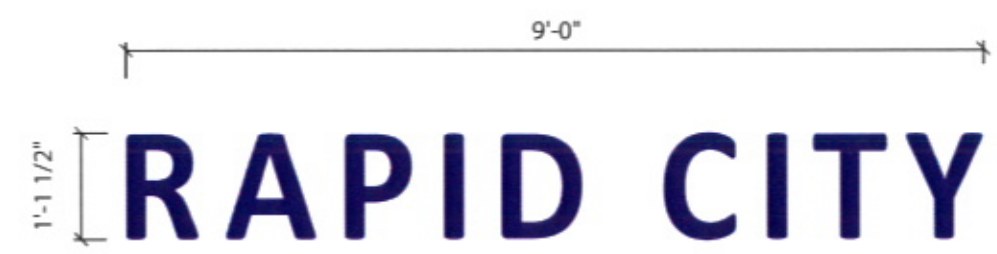
Return to be aluminum ptd MP22022

Fasteners to be ptd to match, typ.

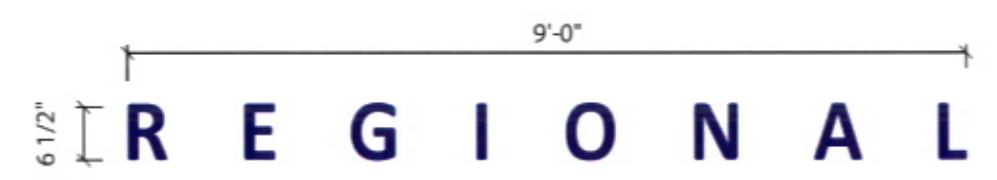
NOTE:  
- provide working sample  
- interior of letter to be ptd white



1.0.3 Main Site Sign - Letter Side View  
C SCALE: Full



1.0.3 Main Site Sign  
E SCALE: 1/4" - 1'-0"



1.0.3 Main Site Sign  
F SCALE: 1/4" - 1'-0"



1.0.3 Main Site Sign - Typical LED Install  
G SCALE: 1/4" - 1'-0"

FEB - 5 2010

Rapid City Growth Management Department



PO Box 468  
Hill City, SD 57745  
605-574-4692 (office)  
605-574-4695 (fax)  
605-430-5170 (cell)  
ray@berberichdesign.com

Client:  
**Rapid City Regional Airport**  
4550 Terminal Road  
Suite 102  
Rapid City, SD 57703

Contact:  
Jennifer Eckman  
605-394-4195 office  
605-394-6190 fax

Project:  
Exterior Signage Package

Date:  
2/05/2009

Notes / Revisions:  
-  
-  
-

The sole purpose of all drawings is to express visual design intent only and not intended for actual fabrication purposes. The sign fabricator(s) and / or contractor(s) accepts total responsibility for all final selected materials, engineering methods, fabrication methods, permitting and installation.

This document is the sole property of Berberich Design, Inc., and all drawing are protected under US copyright law. The reproduction, reuse and sales rights regarding the drawings and designs herein are expressly forbidden. It is submitted under a confidential relationship, for a special purpose, and the recipient, by accepting this document shall not be copied or reproduced in whole or in part, nor its contents revealed in any manner or to any person except for the purpose for which it was tendered, nor any special features peculiar to this design be incorporated in other projects.

© 2009 BERBERICH DESIGN

Main Site Sign  
Typical Letter

1.0.3



DESIGN INC

PO Box 468  
 Hill City, SD 57745  
 605-574-4692 (office)  
 605-574-4695 (fax)  
 605-430-5170 (cell)  
 ray@berberichdesign.com

Client:  
**Rapid City Regional Airport**  
 4550 Terminal Road  
 Suite 102  
 Rapid City, SD 57703

Contact:  
 Jennifer Eckman  
 605-394-4195 office  
 605-394-6190 fax

Project:  
 Exterior Signage Package

Date:  
 2/05/2009

Notes / Revisions:

- 
- 
- 

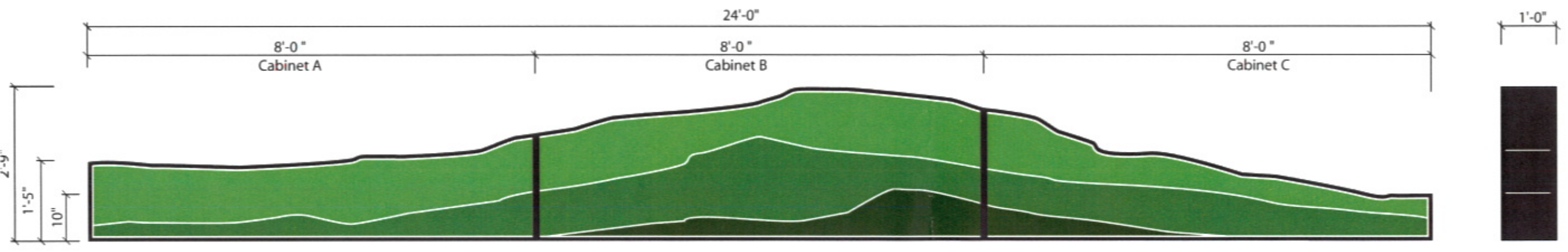
The sole purpose of all drawings is to express visual design intent only and not intended for actual fabrication purposes. The sign fabricator(s) and / or contractor(s) accepts total responsibility for all final selected materials, engineering methods, fabrication methods, permitting and installation.

This document is the sole property of Berberich Design, Inc., and all drawing are protected under US copyright law. The reproduction, reuse and sales rights regarding the drawings and designs herein are expressly forbidden. It is submitted under a confidential relationship, for a special purpose, and the recipient, by accepting this document shall not be copied or reproduced in whole or in part, nor its contents revealed in any manner or to any person except for the purpose for which it was tendered, nor any special features peculiar to this design be incorporated in other projects.

© 2009 BERBERICH DESIGN

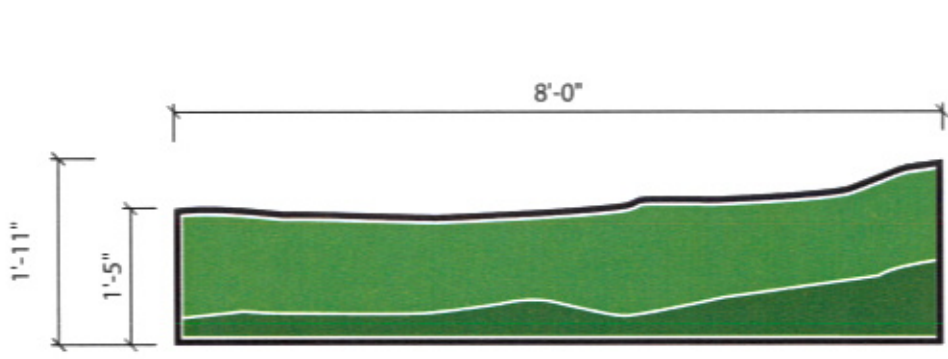
Main Site Sign

**1.0.4**

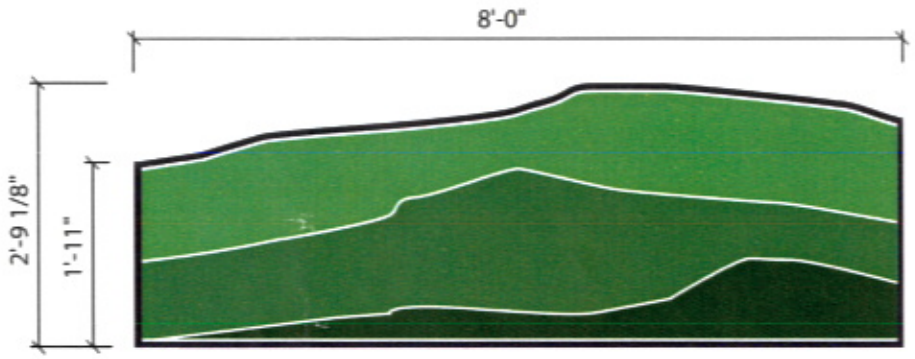


1.0.4 Main Site Sign - Detail  
 A SCALE: 1/2" - 1'-0"

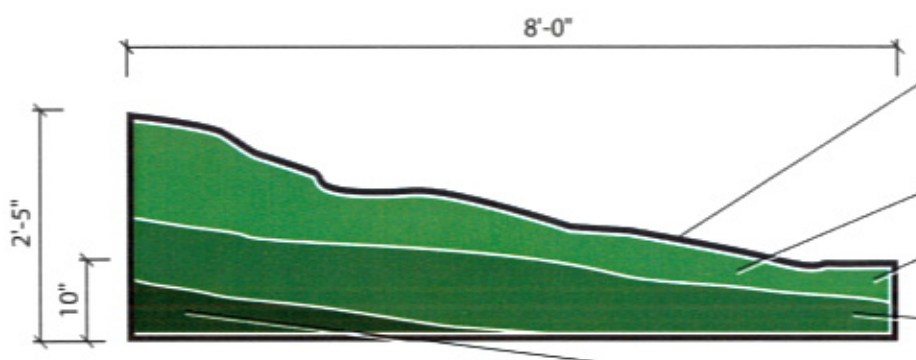
1.0.4 Typical Side View  
 B SCALE: 1/2" - 1'-0"



1.0.4 Main Site Sign - Cabinet A  
 C SCALE: 1/2" - 1'-0"



1.0.4 Main Site Sign - Cabinet B  
 D SCALE: 1/2" - 1'-0"



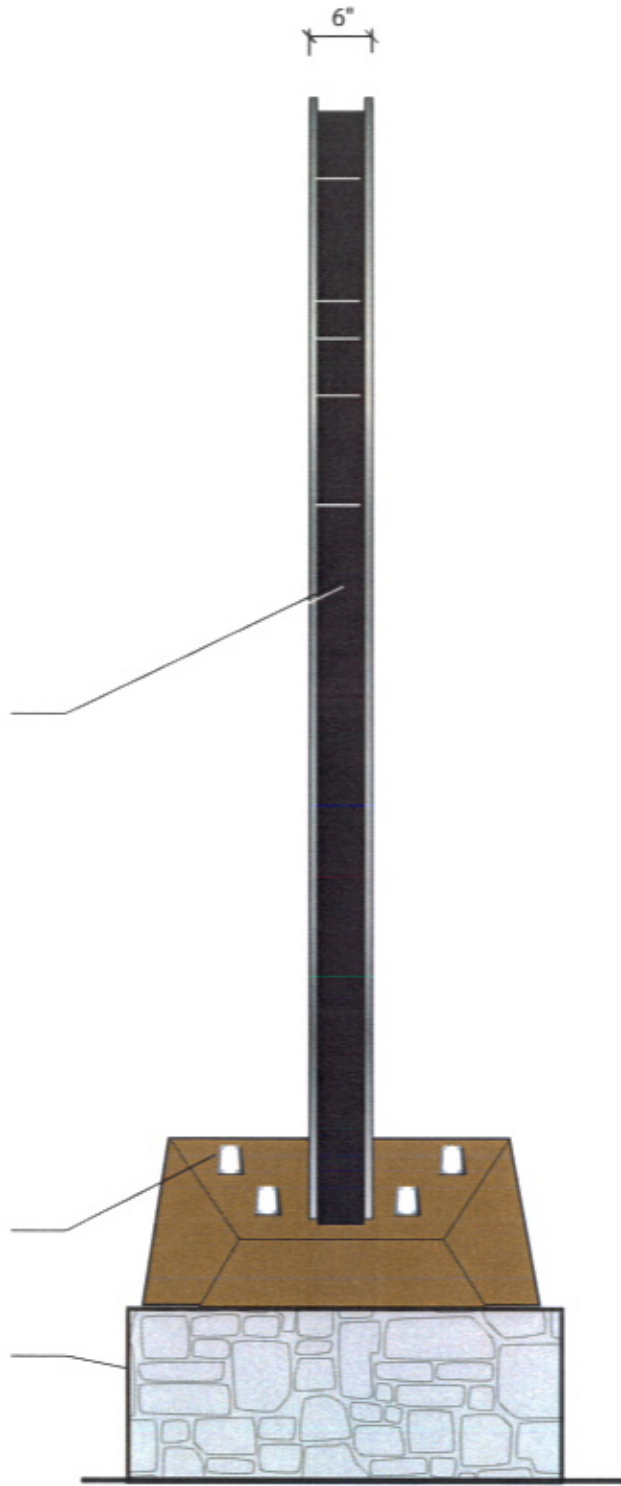
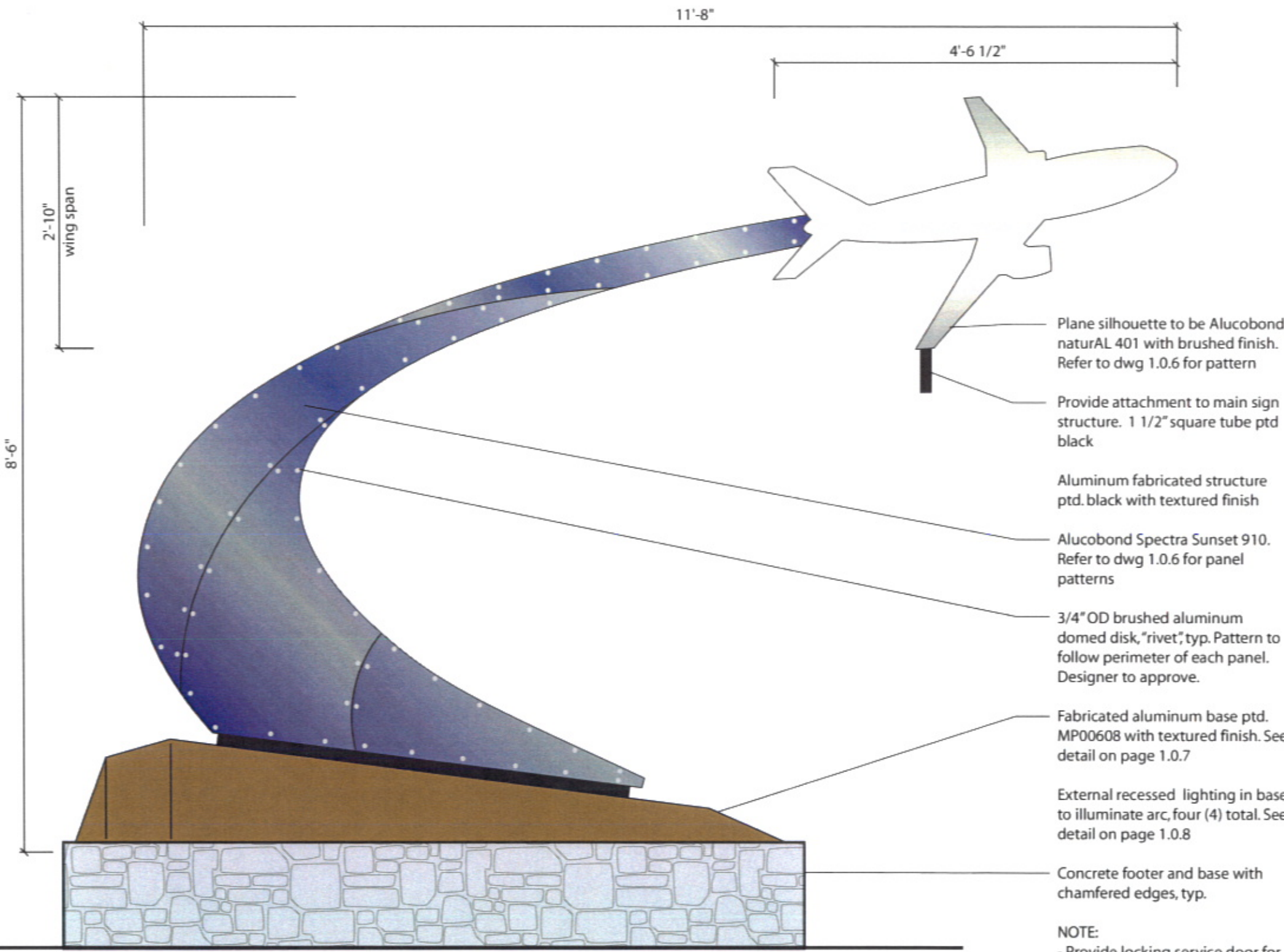
1.0.4 Main Site Sign - Cabinet C  
 E SCALE: 1/2" - 1'-0"

- Internally illuminated LED double sign cabinet ptd black with textured finish.
- Translucent face, typ.
- Applied 3M vinyl 3630-106 Brilliant Green
- Applied 3M vinyl 3630-156 Vivid Green
- Applied layered 3M vinyl 3630-136 Lime Green and overlaid with 3630-76 Holly Green

NOTE:  
 - Two sets of 6" square samples of translucent face and applied vinyl required for approval

**ALTERNATE:**  
 - Externally illuminated fabricated aluminum panels  
 - Return of cabinet to be 0'-6"  
 - Paint to match as shown.  
 - Overall sign width to be adjusted

**RECEIVED**  
 FEB - 5 2010  
 Rapid City Growth Management Department



**NOTE:**  
 - Provide locking service door for base to service lighting  
 - Sign is double sided

RECEIVED

FEB - 5 2010

Rapid City Growth Management Department

1.0.5 Main Site Sign - Elevation  
A SCALE: 3/4" - 1'-0"

1.0.5 Main Site Sign - Elevation  
B SCALE: 3/4" - 1'-0"



DESIGN INC

PO Box 468  
Hill City, SD 57745  
605-574-4692 (office)  
605-574-4695 (fax)  
605-430-5170 (cell)  
ray@berberichdesign.com

Client:  
**Rapid City Regional Airport**  
4550 Terminal Road  
Suite 102  
Rapid City, SD 57703

Contact:  
Jennifer Eckman  
605-394-4195 office  
605-394-6190 fax

Project:  
Exterior Signage Package

Date:  
2/05/2009

Notes / Revisions:  
-  
-  
-

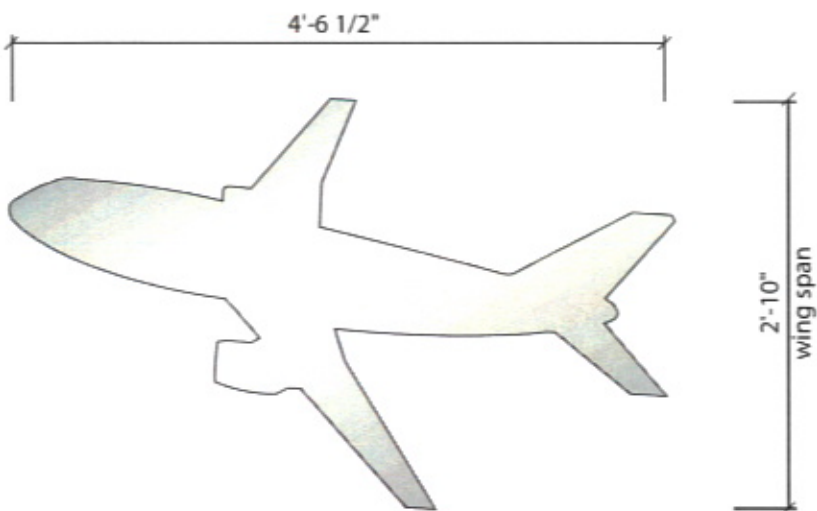
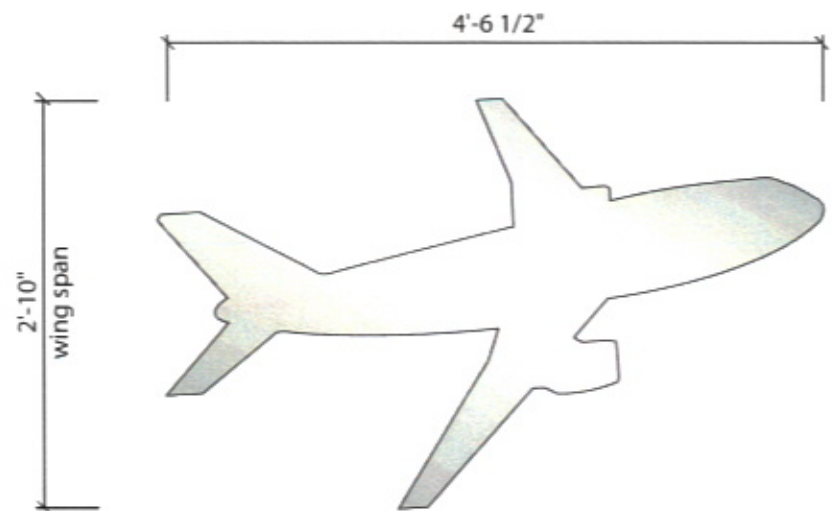
The sole purpose of all drawings is to express visual design intent only and not intended for actual fabrication purposes. The sign fabricator(s) and / or contractor(s) accepts total responsibility for all final selected materials, engineering methods, fabrication methods, permitting and installation.

This document is the sole property of Berberich Design, Inc., and all drawing are protected under US copyright law. The reproduction, reuse and sales rights regarding the drawings and designs herein are expressly forbidden. It is submitted under a confidential relationship, for a special purpose, and the recipient, by accepting this document shall not be copied or reproduced in whole or in part, nor its contents revealed in any manner or to any person except for the purpose for which it was tendered, nor any special features peculiar to this design be incorporated in other projects.

© 2009 BERBERICH DESIGN

Main Site Sign  
Plane / Swoop Detail

1.0.5



RECEIVED

FEB - 5 2010

Rapid City Growth  
Management Department



DESIGN INC

PO Box 468  
Hill City, SD 57745  
605-574-4692 (office)  
605-574-4695 (fax)  
605-430-5170 (cell)  
ray@berberichdesign.com

Client:  
**Rapid City Regional Airport**  
4550 Terminal Road  
Suite 102  
Rapid City, SD 57703

Contact:  
Jennifer Eckman  
605-394-4195 office  
605-394-6190 fax

Project:  
Exterior Signage Package

Date:  
2/05/2009

Notes / Revisions:

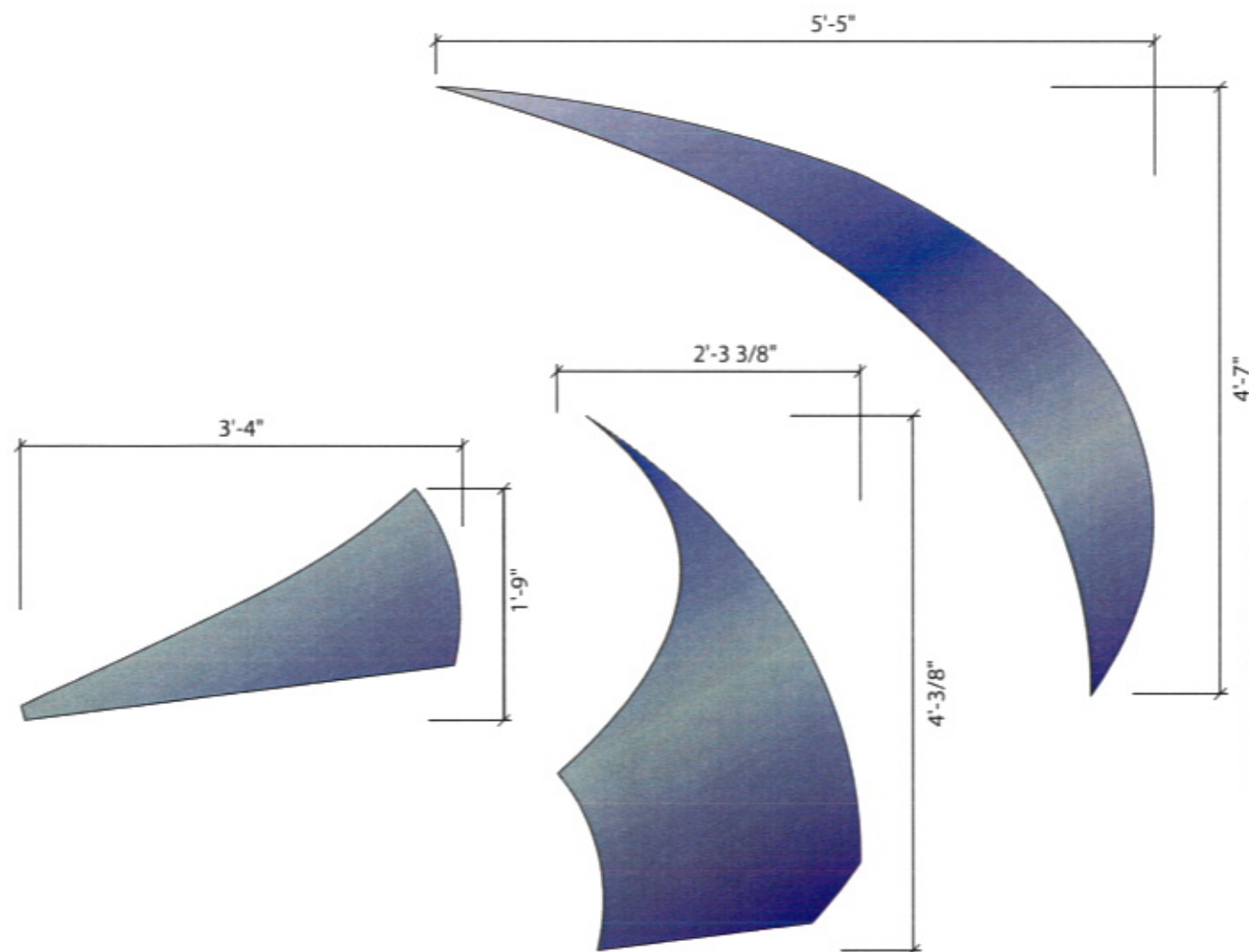
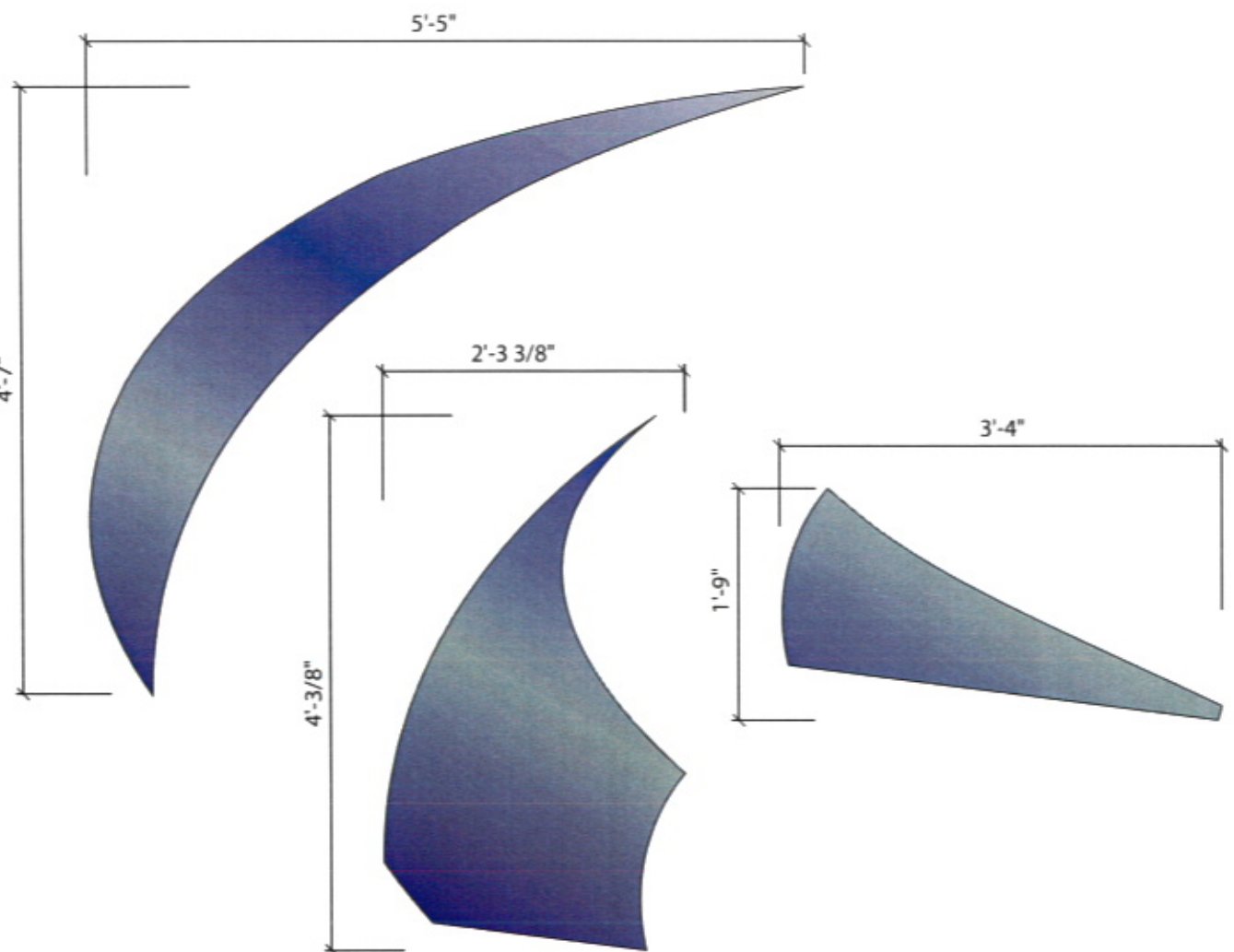
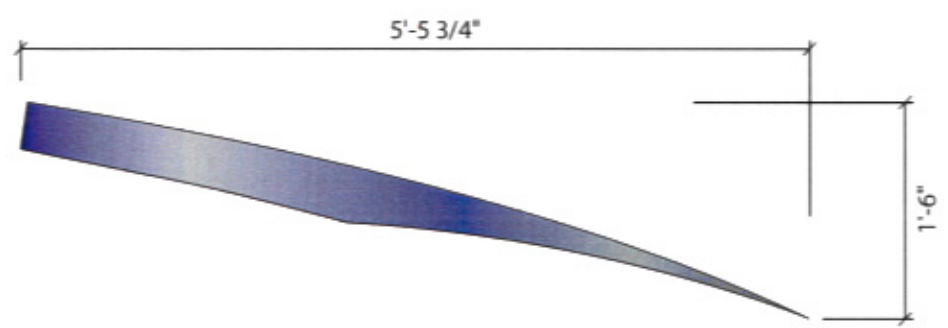
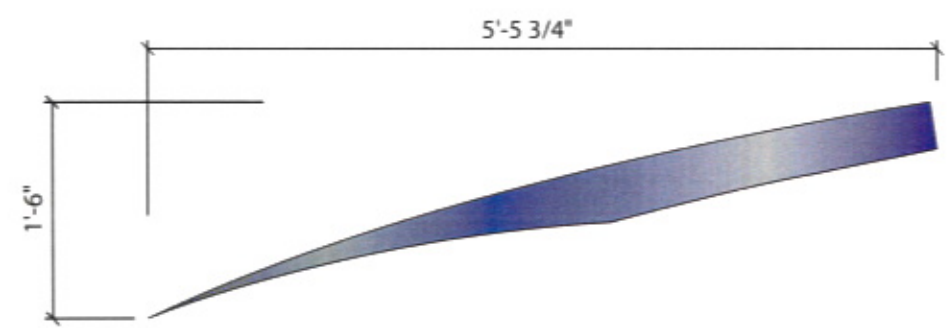
The sole purpose of all drawings is to express visual design intent only and not intended for actual fabrication purposes. The sign fabricator(s) and / or contractor(s) accepts total responsibility for all final selected materials, engineering methods, fabrication methods, permitting and installation.

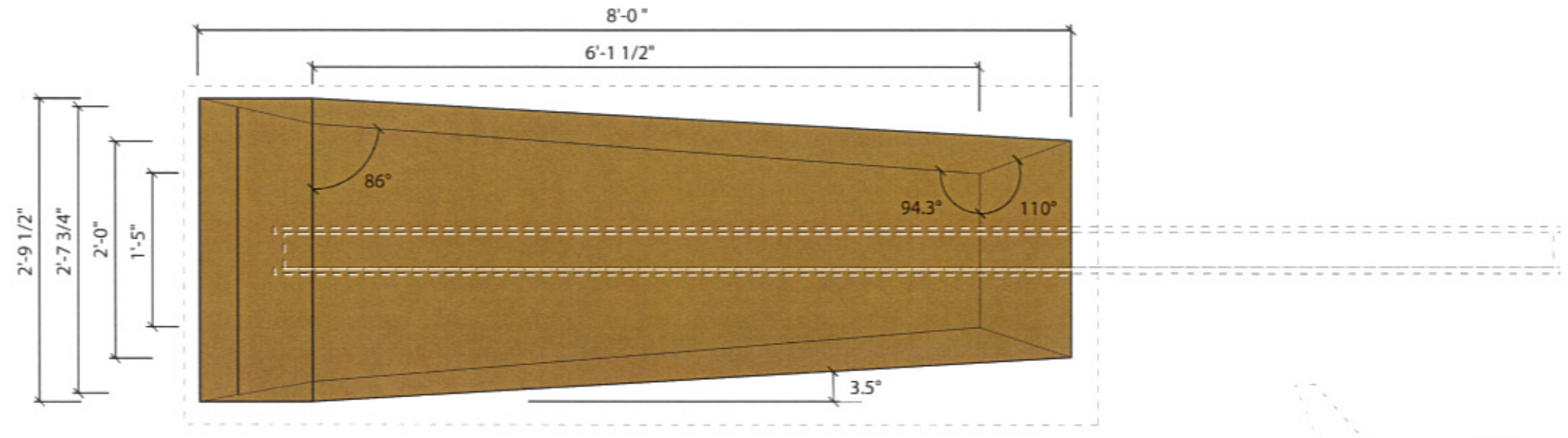
This document is the sole property of Berberich Design, Inc., and all drawing are protected under US copyright law. The reproduction, reuse and sales rights regarding the drawings and designs herein are expressly forbidden. It is submitted under a confidential relationship, for a special purpose, and the recipient, by accepting this document shall not be copied or reproduced in whole or in part, nor its contents revealed in any manner or to any person except for the purpose for which it was tendered, nor any special features peculiar to this design be incorporated in other projects.

© 2009 BERBERICH DESIGN

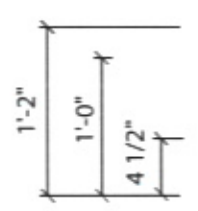
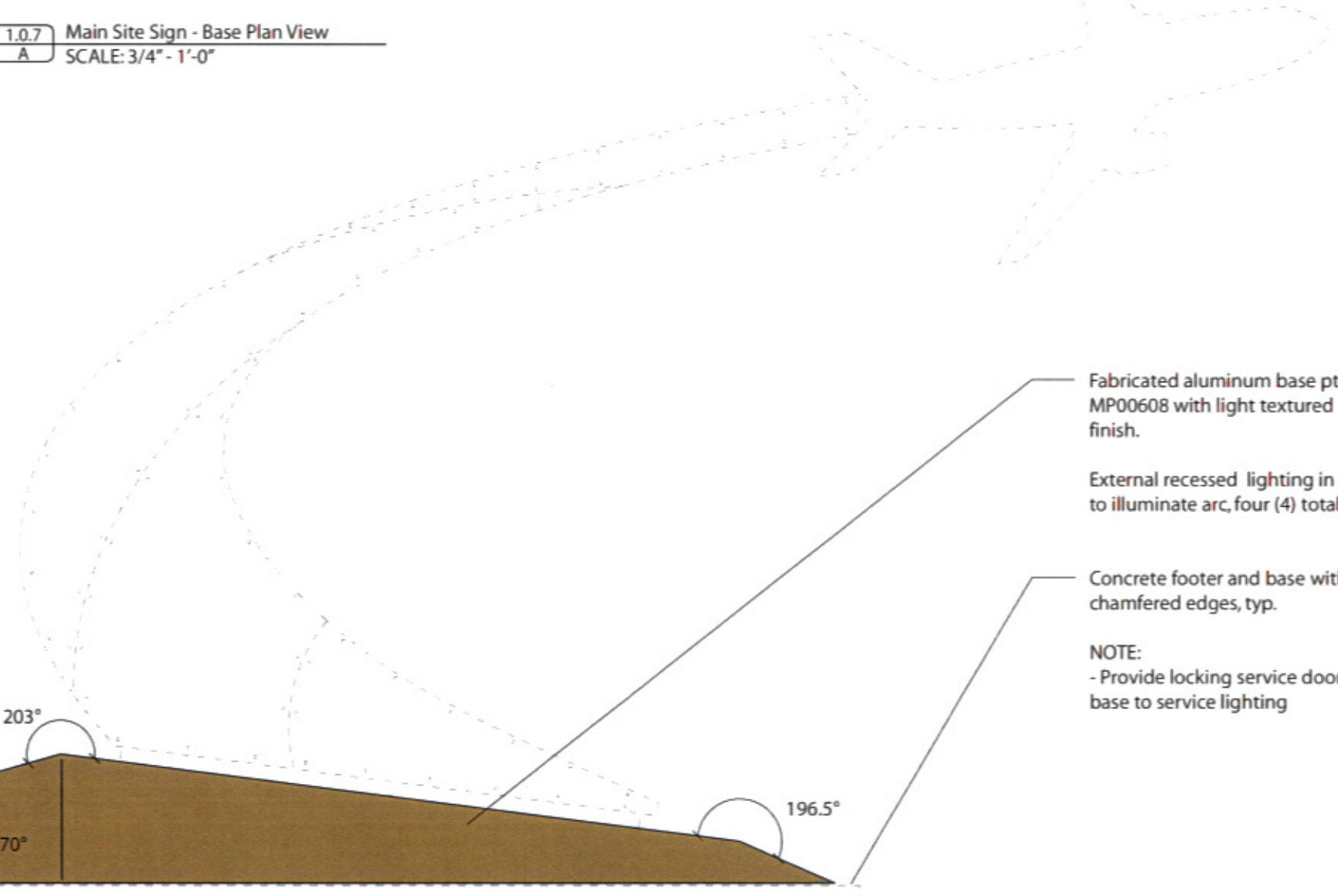
Main Site Sign  
Panel Details

1.0.6





1.0.7 Main Site Sign - Base Plan View  
A SCALE: 3/4" - 1'-0"



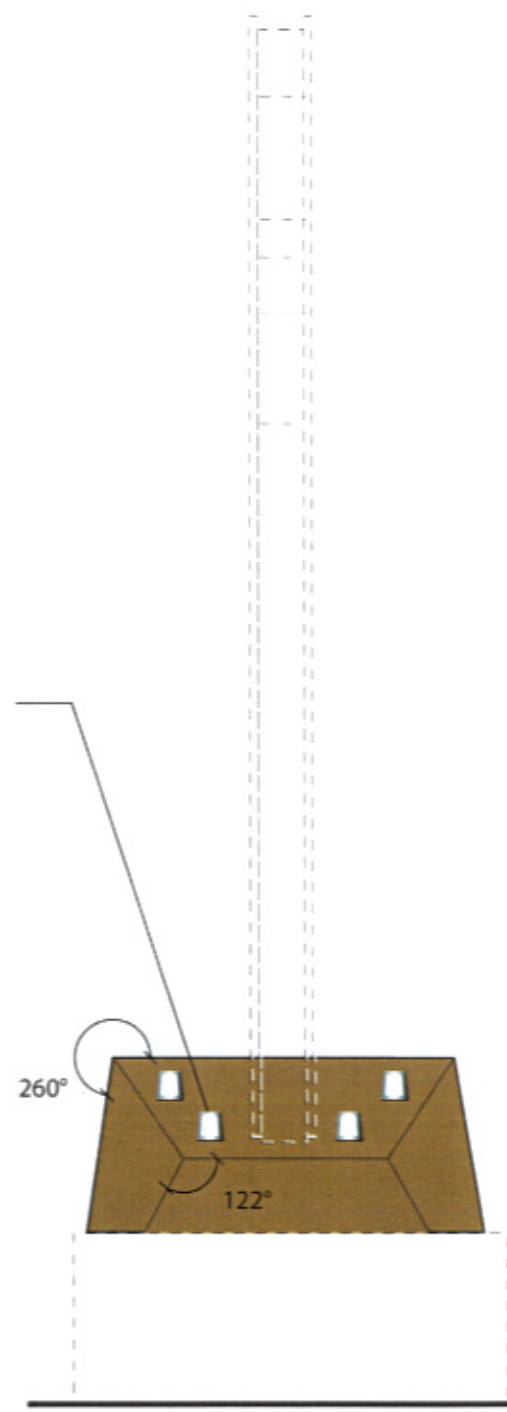
1.0.7 Main Site Sign - Base Side View  
B SCALE: 3/4" - 1'-0"

Fabricated aluminum base ptd. MP00608 with light textured finish.

External recessed lighting in base to illuminate arc, four (4) total.

Concrete footer and base with chamfered edges, typ.

NOTE:  
- Provide locking service door for base to service lighting



1.0.7 Main Site Sign - Base  
C SCALE: 3/4" - 1'-0"

RECEIVED  
FEB - 5 2010  
Rapid City Growth  
Management Department



DESIGN INC

PO Box 468  
Hill City, SD 57745  
605-574-4692 (office)  
605-574-4695 (fax)  
605-430-5170 (cell)  
ray@berberichdesign.com

Client:  
**Rapid City Regional Airport**  
4550 Terminal Road  
Suite 102  
Rapid City, SD 57703

Contact:  
Jennifer Eckman  
605-394-4195 office  
605-394-6190 fax

Project:  
Exterior Signage Package

Date:  
2/05/2009

Notes / Revisions:  
-  
-  
-

The sole purpose of all drawings is to express visual design intent only and not intended for actual fabrication purposes. The sign fabricator(s) and / or contractor(s) accepts total responsibility for all final selected materials, engineering methods, fabrication methods, permitting and installation.

This document is the sole property of Berberich Design, Inc., and all drawing are protected under US copyright law. The reproduction, reuse and sales rights regarding the drawings and designs herein are expressly forbidden. It is submitted under a confidential relationship, for a special purpose, and the recipient, by accepting this document shall not be copied or reproduced in whole or in part, nor its contents revealed in any manner or to any person except for the purpose for which it was tendered, nor any special features peculiar to this design be incorporated in other projects.

© 2009 BERBERICH DESIGN

Main Site Sign  
Base Detail



# RECEIVED

FEB - 5 2010

Rapid City Growth  
Management Department



DESIGN INC

PO Box 468  
Hill City, SD 57745  
605-574-4692 (office)  
605-574-4695 (fax)  
605-430-5170 (cell)  
ray@berberichdesign.com

Client:  
**Rapid City Regional Airport**  
4550 Terminal Road  
Suite 102  
Rapid City, SD 57703

Contact:  
Jennifer Eckman  
605-394-4195 office  
605-394-6190 fax

Project:  
Exterior Signage Package

Date:  
2/05/2009

Notes / Revisions:

The sole purpose of all drawings is to express visual design intent only and not intended for actual fabrication purposes. The sign fabricator(s) and / or contractor(s) accepts total responsibility for all final selected materials, engineering methods, fabrication methods, permitting and installation.

This document is the sole property of Berberich Design, Inc., and all drawing are protected under US copyright law. The reproduction, reuse and sales rights regarding the drawings and designs herein are expressly forbidden. It is submitted under a confidential relationship, for a special purpose, and the recipient, by accepting this document shall not be copied or reproduced in whole or in part, nor its contents revealed in any manner or to any person except for the purpose for which it was tendered, nor any special features peculiar to this design be incorporated in other projects.

© 2009 BERBERICH DESIGN

Main Site Sign

1.0.8



1.0.8 C - Channel - Returns  
A SCALE: 1:2



1.0.8 C - Channel - Front Face  
B SCALE: 1:2

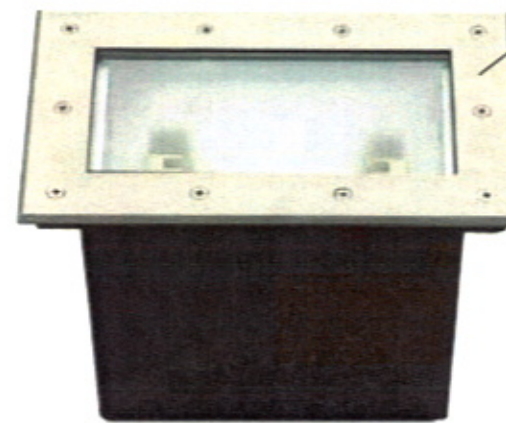
"C" Channel to be primed, ptd with wood faux finish and UV clearcoated

Back side of "C" Channel to be primed and painted black

NOTE:  
- all exposed fasteners to be painted to match  
- two (2) 24'-0" lengths required  
- paint samples required



1.0.8 C - Channel - Section  
C SCALE: 1:2

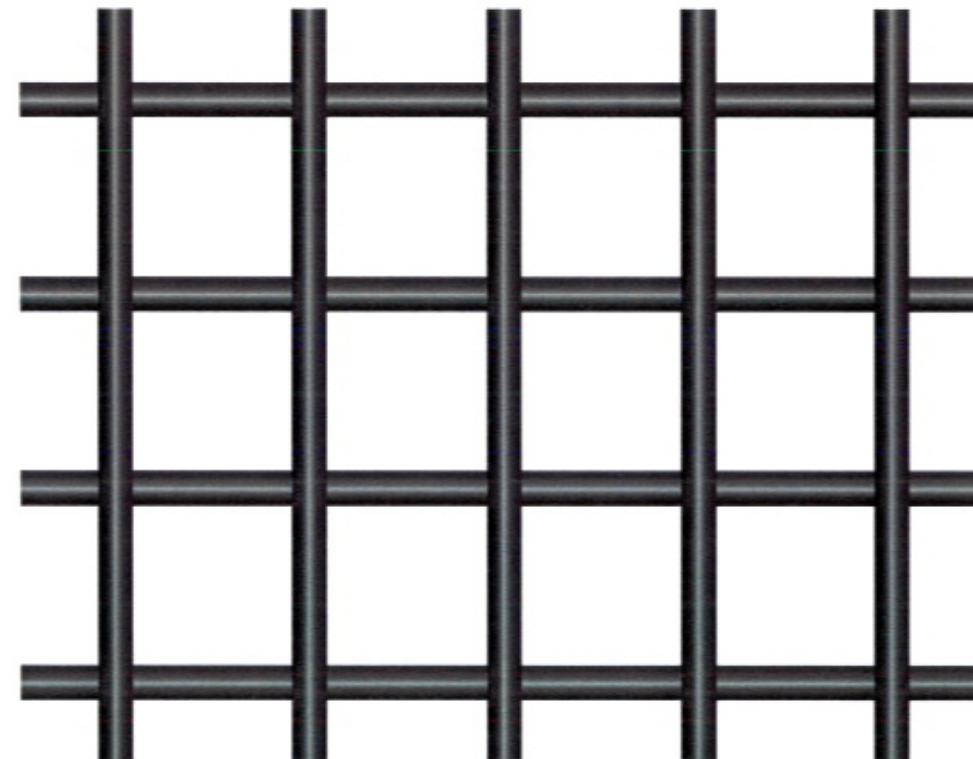


Light Fixture to be ARCO 13 - 16281  
- Linear halogen  
- Rectangle up light  
- IP68 rated. HIT-DE 250w  
- Toughened Glass 8mm  
- Stainless steel allan key screws

[www.greentechlighting.com.au/index.php](http://www.greentechlighting.com.au/index.php)

NOTE:  
- alternate but equal fixtures to be considered

1.0.8 Ground Light Fixture  
D SCALE: 1/4" - 1'-0"



1.0.8 Wire Mesh Detail - End Cap  
E SCALE: Full

NOTE:  
- Welded wire mesh to be painted black  
- Provide removeable mount for service.  
- Clear Opening of Space - 1" o/c  
- Diameter of Rod or Wire - .177"  
- Open Area - 72% +/-