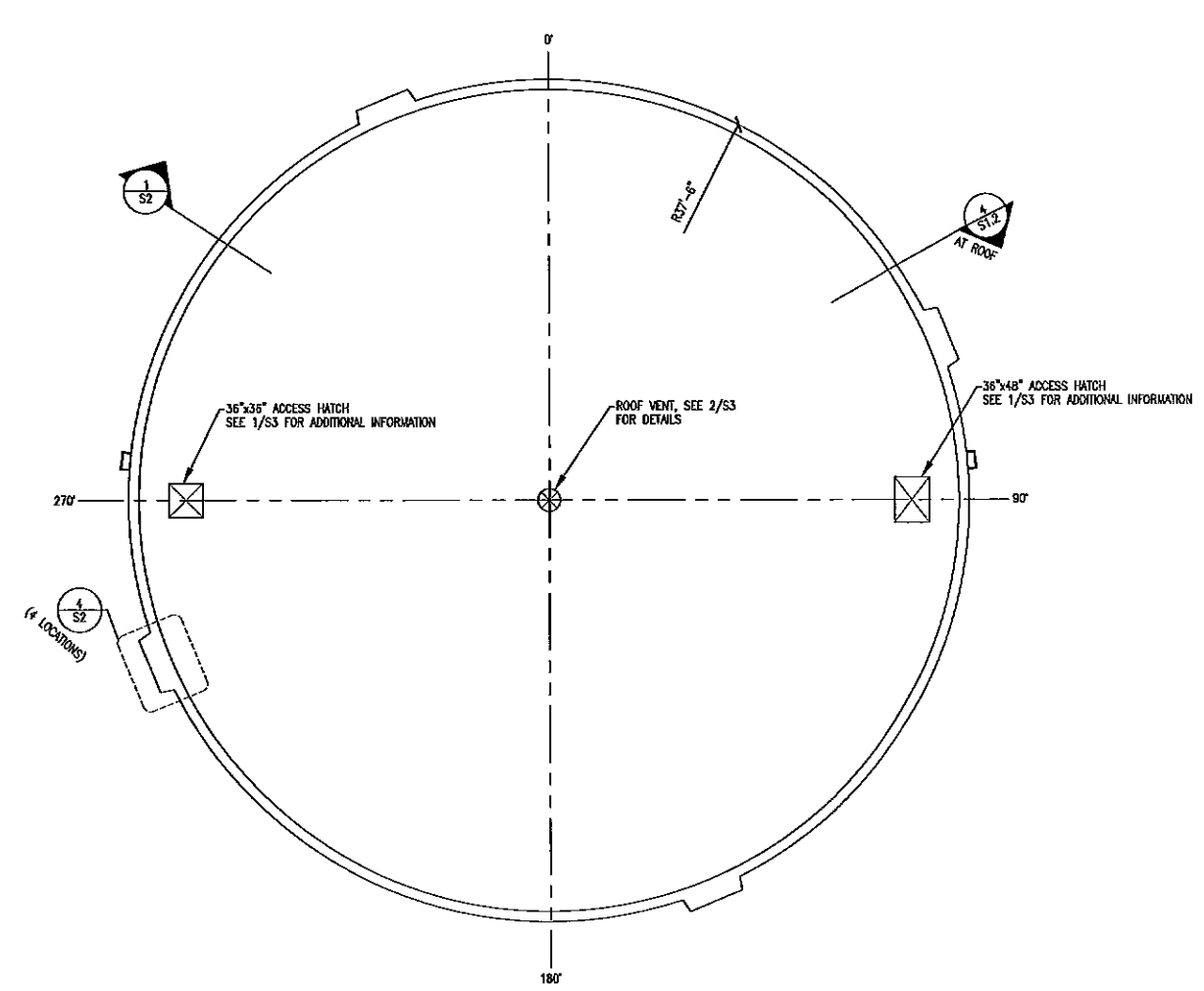
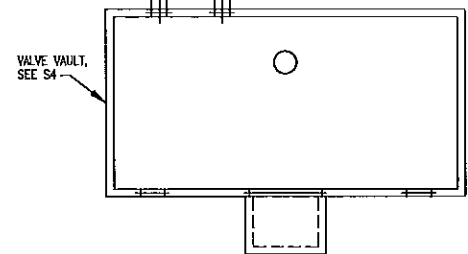
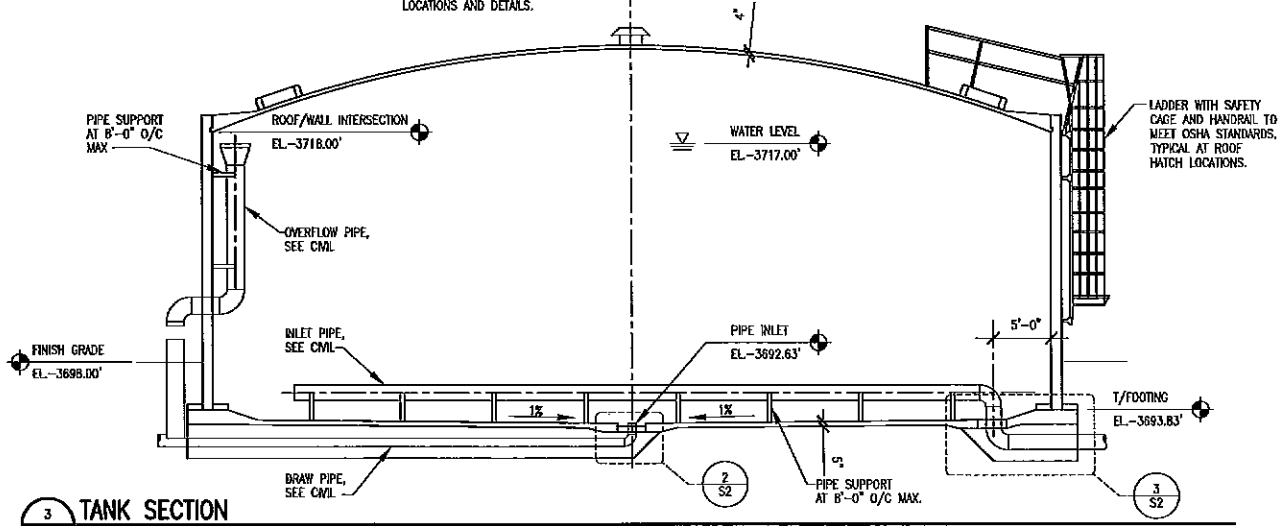


**1 TANK FOUNDATION PLAN**  
SCALE - 1/8" = 1'-0"

- PLAN NOTES:
1. RESERVOIR SHALL BE EITHER A POST TENSIONED CAST-IN-PLACE CONCRETE TANK OR A CAST-IN-PLACE WIRE-WOUND, PRESTRESSED, CONCRETE TANK WITH A STEEL DIAPHRAGM.
  2. THESE DRAWINGS ILLUSTRATE THE CONFIGURATION OF THE TANK AND RELATED APPURTENANCES. FINAL TANK DESIGN AND DETAILS ARE BY CONTRACTOR'S TANK DESIGNER. SEE PERFORMANCE SPECIFICATIONS. SEE CIVIL DRAWINGS FOR ADDITIONAL INFORMATION ON PIPE AND APPURTENANCE LOCATIONS AND DETAILS.



**2 TANK ROOF PLAN**  
SCALE - 1/8" = 1'-0"



**3 TANK SECTION**  
SCALE - 1/8" = 1'-0"

**RECEIVED**

JAN 18 2010

Rapid City Growth  
Management Department

**HERMANSON EGGE ENGINEERING, INC.**  
STRUCTURAL CONSULTING ENGINEERS  
2693 COMMERCE RD. C, RAPID CITY, SD 57702  
PHONE (605) 342-0680 FAX (605) 342-6853

**F M G, Inc.**  
3700 Sturgis Road  
Rapid City, SD 57702-0317  
(605) 342-4105 FAX (605) 342-4222  
www.fmgengineering.com

Prepared For: Public Works Department

Prepared By: **F M G, Inc.**

**65% SUBMITTAL**

**NOT FOR CONSTRUCTION**

Scale: AS NOTED

Designed By: FME	Drawn By: MTS/JRW
Design Date: NOV 2009	Print Date: NOV 13, 2009
Internal Job No: 078964.08	
Surveyed By: FMG	Survey Date: 2/08-5/05

Revisions:

NORTH PINEDALE RESERVOIR