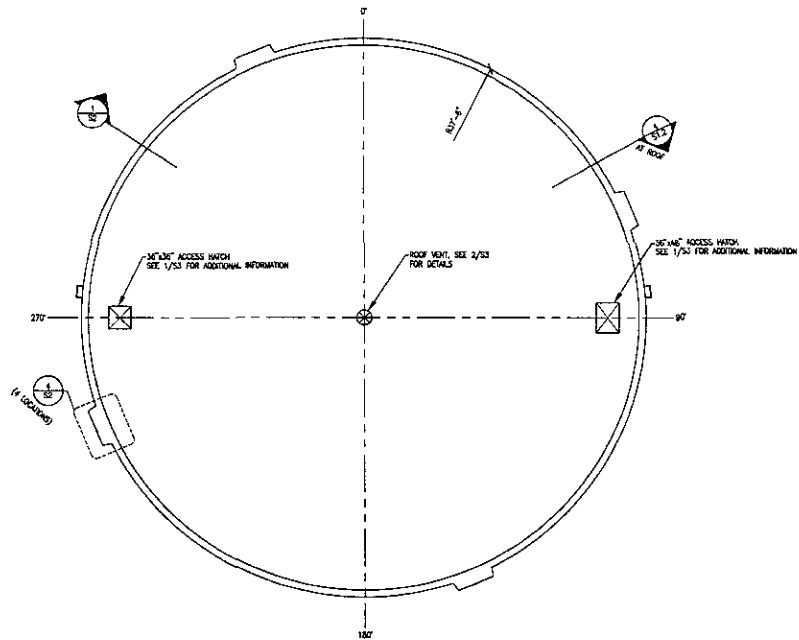
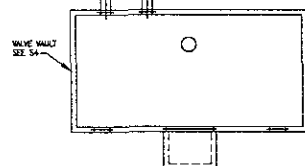
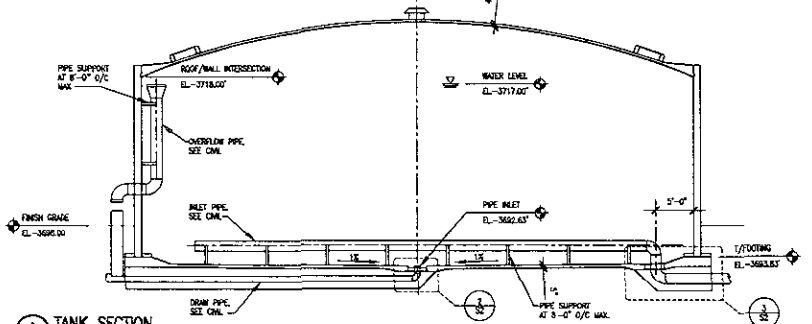


1 TANK FOUNDATION PLAN
SCALE - 1/8" = 1'-0"

PLAN NOTES:
1. RESERVOIR SHALL BE EITHER A POST TENSIONED CAST-IN-PLACE CONCRETE TANK OR A CAST-IN-PLACE WIRE-BOUND PRESTRESSED CONCRETE TANK WITH A STEEL DAMPPING LAYER.
2. THESE DRAWINGS ILLUSTRATE THE CONFIGURATION OF THE TANK AND RELATED APPURTENANCES.
3. FINAL TANK DESIGN AND DETAILS ARE BY CONTRACTOR'S TANK DESIGNER. SEE PERFORMANCE SPECIFICATIONS, SEE CIVIL DRAWINGS FOR ADDITIONAL INFORMATION ON PIPE AND APPURTENANCES, LOGGINGS AND DETAILS.



2 TANK ROOF PLAN
SCALE - 1/8" = 1'-0"



3 TANK SECTION
SCALE - 1/8" = 1'-0"



F.M.G., Inc.
2700 S. UNIVERSITY BLVD. SUITE 100
RAPID CITY, SD 57702-0317
(605) 342-4105 FAX (605) 342-4222
www.fmgengineering.com

65% SUBMITTAL
NOT FOR CONSTRUCTION

Scale: AS NOTED
Designed by: MFS/SJW
Checked by: MFS/SJW
Design Date: NOV 2008
Print Date: NOV 13, 2008
Inferred Job No: 075961.00
Survised By: F.M.G.
Survey Date: 2/08-0/00
Fieldwork:

NORTH PINEDALE RESERVOIR

HERMANSON EGGE ENGINEERING, INC.
STRUCTURAL CONSULTING ENGINEERS
2653 CONMERCE RD. C. RAPID CITY, SD 57702
JOB NO. 08-055 PHONE (605) 342-0680 FAX (605) 342-0853

TANK PLANS AND CROSS SECTIONS