

PANEL LC1 * (LOAD CENTER)		VOLTS: 120/ 240		PHASE: 1		WIRE: 3		MAIN CAP. 125		AMPERES				
		AIC RATING 10,000		MOUNTING: SURFACE		FEEDER SIZE: SEE POWER ONE-LINE DIAGRAM				MAIN CONNECTION: MLO				
		LOAD WATTS	WIRE SIZE	CIRCUIT BREAKER			NEUTRAL	CIRCUIT BREAKER			WIRE SIZE	LOAD WATTS	ITEM FED	CCT NO
1	TELEMETRY	1,200	12	20	1	-	L1	-	1	20	-	-	SPARE	2
3	RECEPTACLE	1,000	12	20	1	-	L2	-	1	20	-	-	SPARE	4
5	SPACE	-	-	-	1	-	L1	-	1	-	-	-	SPACE	6
7	SPACE	-	-	-	1	-	L2	-	1	-	-	-	SPACE	8
9	SPACE	-	-	-	1	-	L1	-	1	-	-	-	SPACE	10
11	SPACE	-	-	-	1	-	L2	-	1	-	-	-	SPACE	12

* NEMA TYPE 3R ENCLOSURE

APPROXIMATE CONNECTED LOAD	
L1-	1,200 WATTS
L2-	1,000 WATTS

ELECTRICAL SYMBOLS

- LOADCENTER OR ELECTRICAL PANEL
- DISTRIBUTION PANEL
- SPECIAL EQUIPMENT CABINET-AS NOTED
- DUPLEX CONVENIENCE RECEPTACLE
- JUNCTION BOX
- MOTOR CONNECTION
- DISCONNECT SWITCH
- TRANSFORMER
- TYPE OF EQUIP SEE SCHEDULES
- EQUIP. NO.
- GROUND

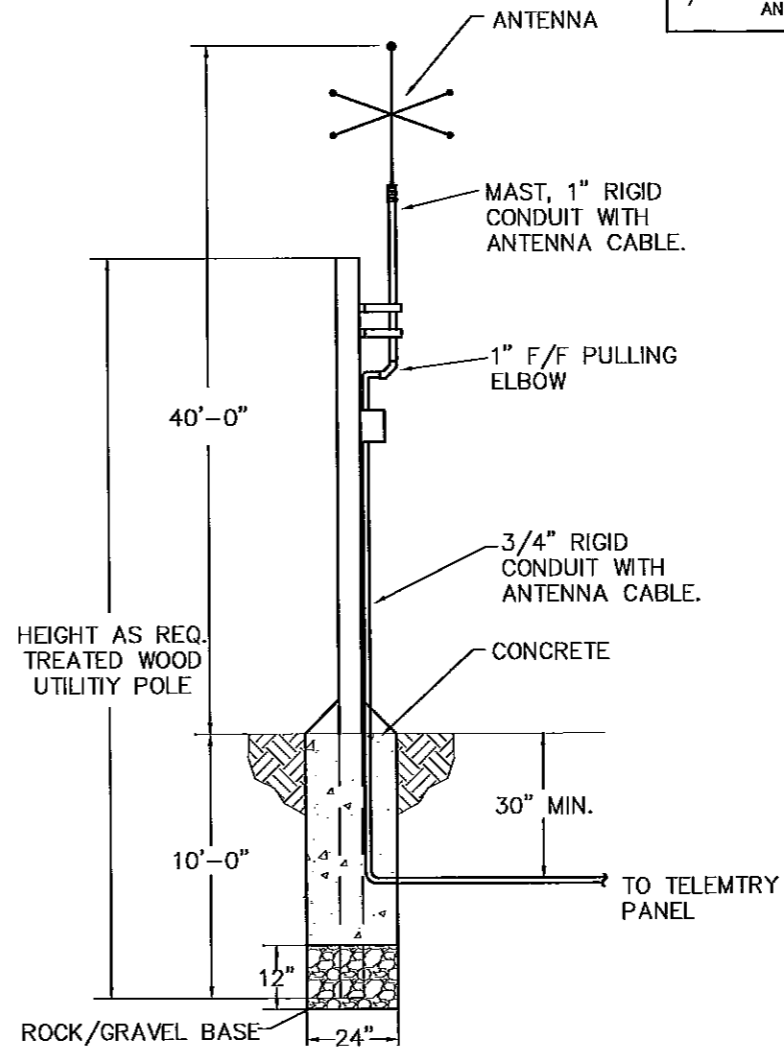
CONDUIT IN WALL OR CEILING SPACE, ARROWS INDICATE HOME RUNS TO PANEL. NUMBERS INDICATE PANEL AND CIRCUIT IN PANEL.

ELECTRICAL ABBREVIATIONS

A STANDARD LIST. NOT ALL WORDS APPEAR IN THESE DRAWINGS.

SEE SPECIFICATION SECTION "EQUIPMENT WIRING" FOR ADDITIONAL INFORMATION AND REQUIREMENTS.

A or AMP	AMPERE	KW	KILOWATT
A/E or AE	ARCHITECT & ENGINEER	KWH	KILOWATT - HOUR
AC	ALTERNATING CURRENT		
AFF	ABOVE FINISH FLOOR	MCB	MAIN CIRCUIT BREAKER
AFG	ABOVE FINISH GRADE	MCM	THOUSAND CIRCULAR MILS
AHJ	AUTHORITY HAVING JURISDICTION	MDP	MAIN DISTRIBUTION PANEL
AIC	AMPERES INTERRUPTING CURRENT	MFS	MAIN FUSIBLE SWITCH
AWG	AMERICAN WIRE GAUGE	MLO	MAIN LUG ONLY
BRD or BD	BOARD	NA or N/A	NOT APPLICABLE
C or COND	CONDUIT	NEC	NATIONAL ELECTRICAL CODE
C/B or CB	CIRCUIT BREAKER	NEMA	NATIONAL ELECTRICAL MANUFACTURERS ASSOCIATION
CCT or CKT	CIRCUIT	NEU, NEUT or N	NEUTRAL
Cu or CU	COPPER	NF	NON-FUSED
DISC	DISCONNECT	P	POLE
DWG	DRAWING	PH	PHASE
EC	ELECTRICAL CONTRACTOR	PNL	PANEL
ELEC	ELECTRIC OR ELECTRICAL	PWR	POWER
EMT	ELECTRICAL METALLIC TUBING	REC or RECEPT	RECEPTACLE
ENT	ELECTRICAL NON-METALLIC TUBING	SCC	SHORT CIRCUIT CURRENT SPECIFICATIONS
EX	EXISTING	SPECS	
F or FUS	FUSE OR FUSIBLE	TR, TRANS or TRFMR	TRANSFORMER TYPICAL
FBO	FURNISHED BY OTHERS	TYP	
FLA	FULL LOAD AMPERES	UG	UNDERGROUND
GC	GENERAL CONTRACTOR	V	VOLT
GFI or GFCI	GROUND FAULT CIRCUIT INTERRUPTER	W	WATT OR WIRE
GRC	GALVANIZED RIGID CONDUIT	W/	WITH
GND or GRND	GROUND	W/O	WITHOUT
IC	INTERRUPTING CURRENT	WP	WEATHERPROOF
IMC	INTERMEDIATE METAL CONDUIT	XFMR	TRANSFORMER
J, JB or J-BOX	JUNCTION BOX	Y	WYE CONNECTION
KCMIL	THOUSAND CIRCULAR MILS	φ	PHASE
KV	KILOVOLT		
KVA	KILOVOLT - AMPERE		
KVAR	KILOVOLT - AMPERE REACTIVE		



WOODEN ANTENNA POLE BASE DETAIL

NO SCALE:

RECEIVED
 JAN 18 2010
 Rapid City Growth
 Management Department

Public Works Department
 Prepared For: **F M G, Inc.**
 3700 Sturgis Road
 Rapid City, SD 57702-0817
 (605) 342-4105 FAX (605) 342-4222
 www.fmgengineering.com

Engineering Division

65% SUBMITTAL
 NOT FOR CONSTRUCTION

Scale: 1"=20'

Designed By: JAP Drawn By: JRR/KJS
 Design Date: DEC. 2009 Print Date: DEC. 2009
 Internal Job No: 076981.08
 Surveyed By: FMG Survey Date: 2/08-5/09
 Revisions:

NORTH PINEDALE WATER STORAGE RESERVOIR
 FOR GOOD SAMARITAN SOCIETY
 SAINT MARTIN'S VILLAGE

Sheet Title:
 ELECTRICAL SCHEDULES, ABBREVIATIONS & SYMBOLS

Sheet:
 E5 of E5