



1.0.0 Main Site Sign
A SCALE: nts



1.0.0 Main Site Sign
B SCALE: nts



PO Box 468
Hill City, SD 57745
605-574-4692 (office)
605-574-4695 (fax)
605-430-5170 (cell)
ray@berberichdesign.com

Client:
Rapid City Regional Airport
4550 Terminal Road
Suite 102
Rapid City, SD 57703

Contact:
Jennifer Eckman
605-394-4195 office
605-394-6190 fax

Project:
Exterior Signage Package

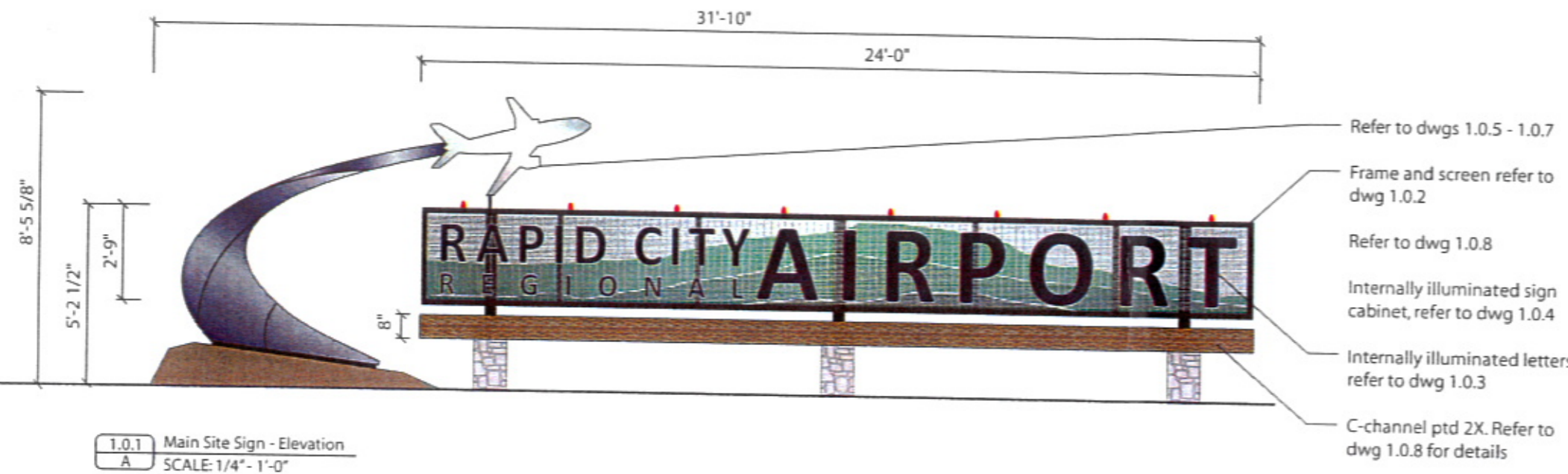
Date:
12/07/2009

Notes / Revisions:
-
-
-

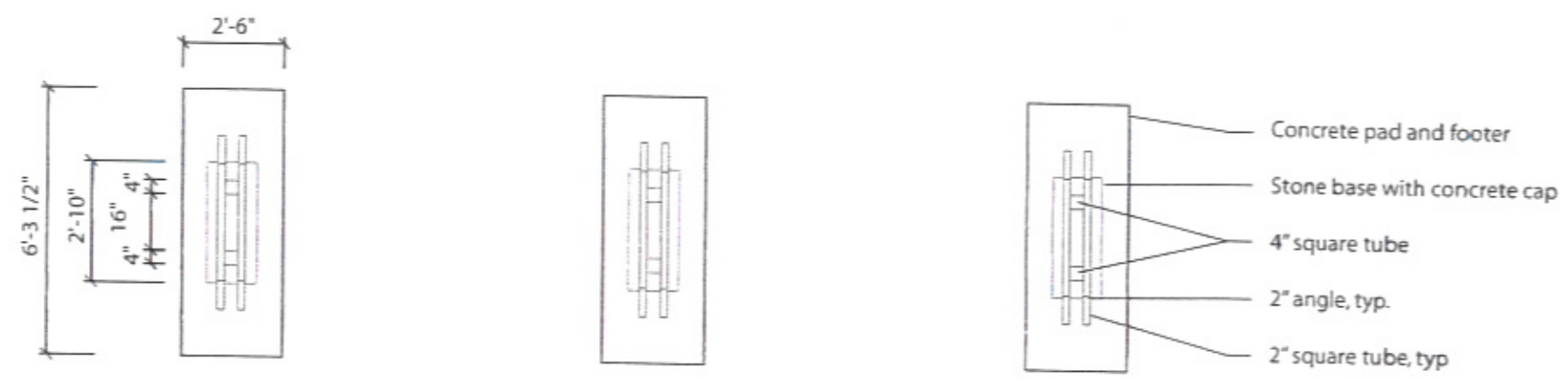
The sole purpose of all drawings is to express visual design intent only and not intended for actual fabrication purposes. The sign fabricator(s) and / or contractor(s) accepts total responsibility for all final selected materials, engineering methods, fabrication methods, permitting and installation.

This document is the sole property of Berberich Design, Inc., and all drawing are protected under US copyright law. The reproduction, reuse and sales rights regarding the drawings and designs herein are expressly forbidden. It is submitted under a confidential relationship, for a special purpose, and the recipient, by accepting this document shall not be copied or reproduced in whole or in part, nor its contents revealed in any manner or to any person except for the purpose for which it was tendered, nor any special features peculiar to this design be incorporated in other projects.

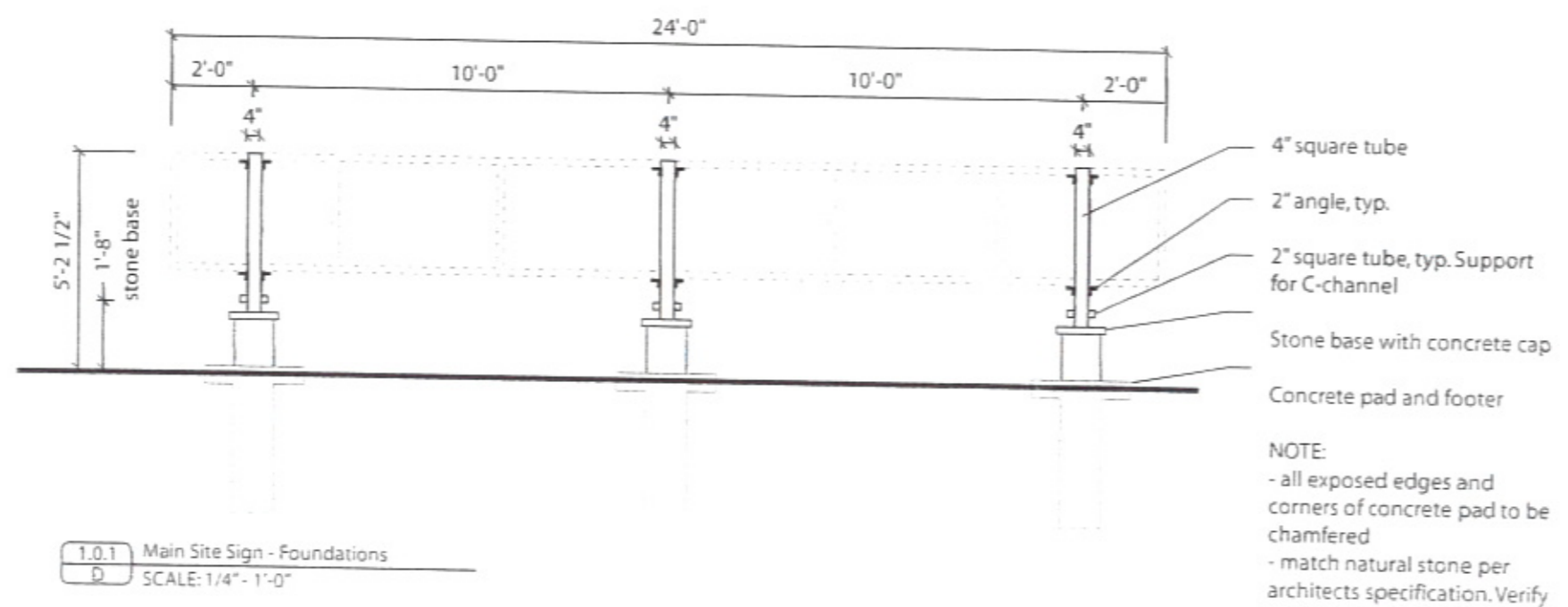
Main Site Sign



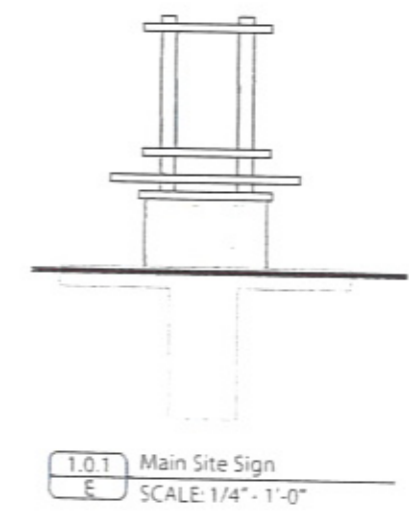
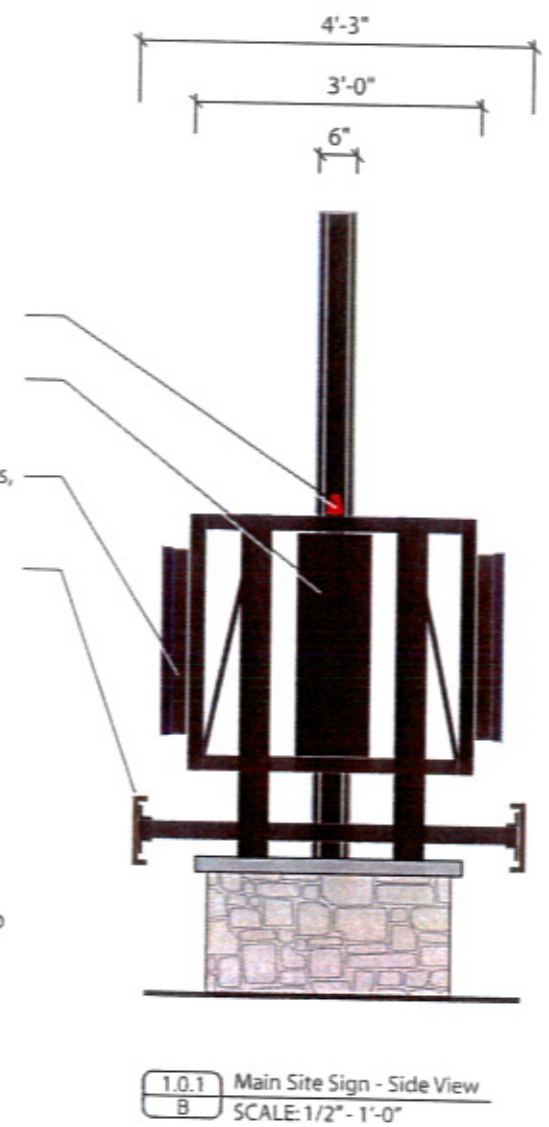
1.0.1 Main Site Sign - Elevation
A SCALE: 1/4" - 1'-0"



1.0.1 Main Site Sign - Foundations Plan View
C SCALE: 1/4" - 1'-0"



1.0.1 Main Site Sign - Foundations
D SCALE: 1/4" - 1'-0"



PO Box 468
Hill City, SD 57745
605-574-4692 (office)
605-574-4695 (fax)
605-430-5170 (cell)
ray@berberichdesign.com

Client:
Rapid City Regional Airport
4550 Terminal Road
Suite 102
Rapid City, SD 57703

Contact:
Jennifer Eckman
605-394-4195 office
605-394-6190 fax

Project:
Exterior Signage Package

Date:
12/07/2009

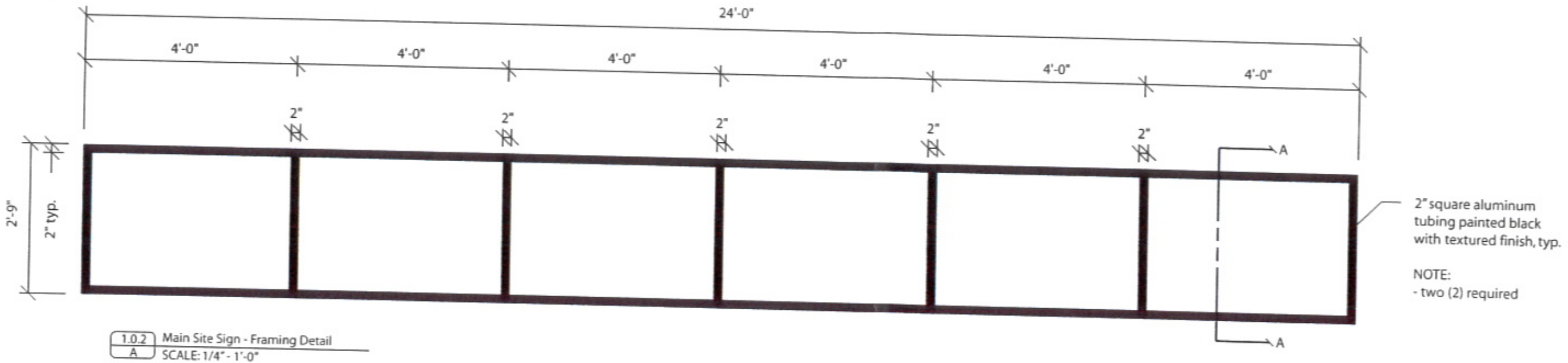
Notes / Revisions:
-
-
-

The sole purpose of all drawings is to express visual design intent only and not intended for actual fabrication purposes. The sign fabricator(s) and/or contractor(s) accepts total responsibility for all final selected materials, engineering methods, fabrication methods, permitting and installation.

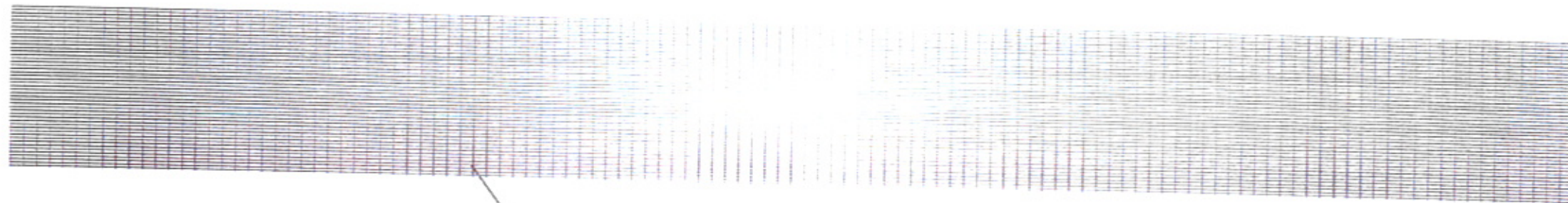
This document is the sole property of Berberich Design, Inc., and all drawing are protected under US copyright law. The reproduction, reuse and sales rights regarding the drawings and designs herein are expressly forbidden. It is submitted under a confidential relationship, for a special purpose, and the recipient, by accepting this document shall not be copied or reproduced in whole or in part, nor its contents revealed in any manner or to any person except for the purpose for which it was tendered, nor any special features peculiar to this design be incorporated in other projects.

BERBERICH DESIGN

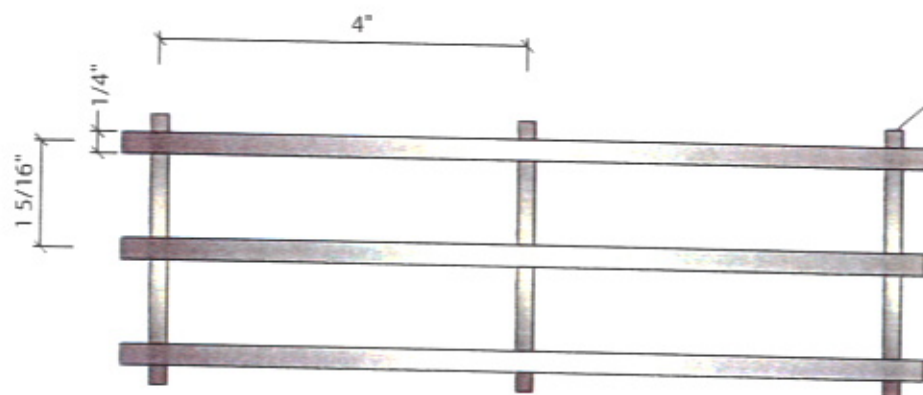
Main Site Sign



1.0.2 Main Site Sign - Framing Detail
A SCALE: 1/4" = 1'-0"



1.0.2 Main Site Sign - Inset Grating
B SCALE: 1/4" = 1'-0"

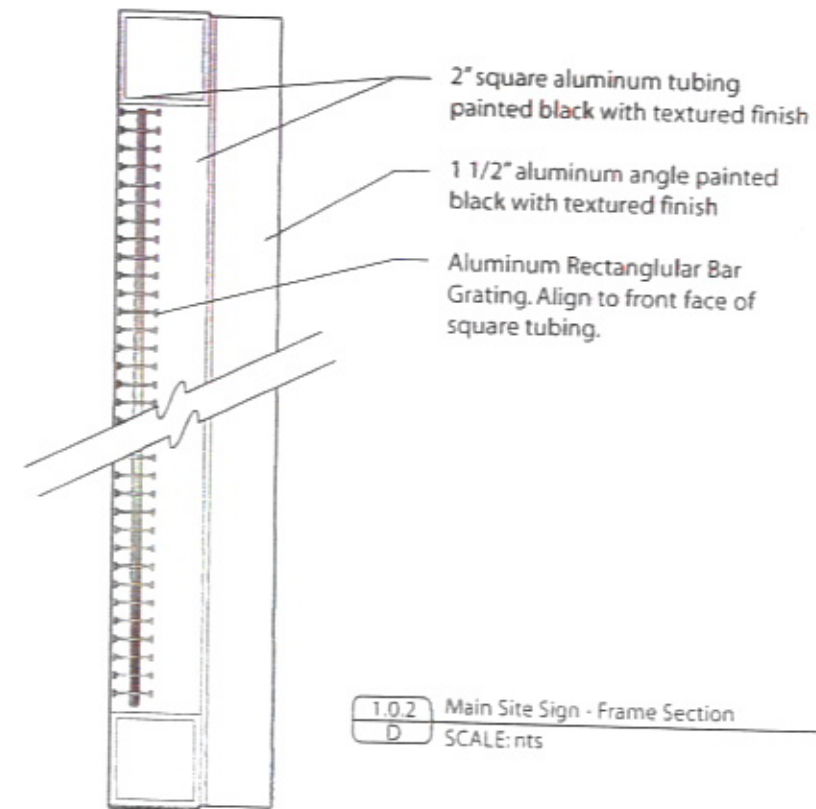


1.0.2 Main Site Sign - Inset Grating Detail
C SCALE: 1:2

Aluminum Rectangular Bar Grating
15-SGI-4 or equal. Two required

http://www.directmetals.com/dm/bar_grating_aluminum.asp#

Direct Metals:
560-B Old Skokie Rd.
Park City, IL 60085
Phone: 847-599-0233
Fax: 847-599-0244
Toll-Free: 1-800-711-4939
info@directmetals.com



1.0.2 Main Site Sign - Frame Section
D SCALE: nts



DESIGN INC

PO Box 468
Hill City, SD 57745
605-574-4692 (office)
605-574-4695 (fax)
605-430-5170 (cell)
ray@berberichdesign.com

Client:
Rapid City Regional Airport
4550 Terminal Road
Suite 102
Rapid City, SD 57703

Contact:
Jennifer Eckman
605-394-4195 office
605-394-6190 fax

Project:
Exterior Signage Package

Date:
12/07/2009

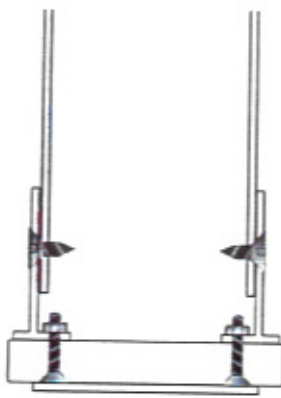
Notes / Revisions:
-
-
-

The sole purpose of all drawings is to express visual design intent only and not intended for actual fabrication purposes. The sign fabricator(s) and / or contractor(s) accepts total responsibility for all final selected materials, engineering methods, fabrication methods, permitting and installation.

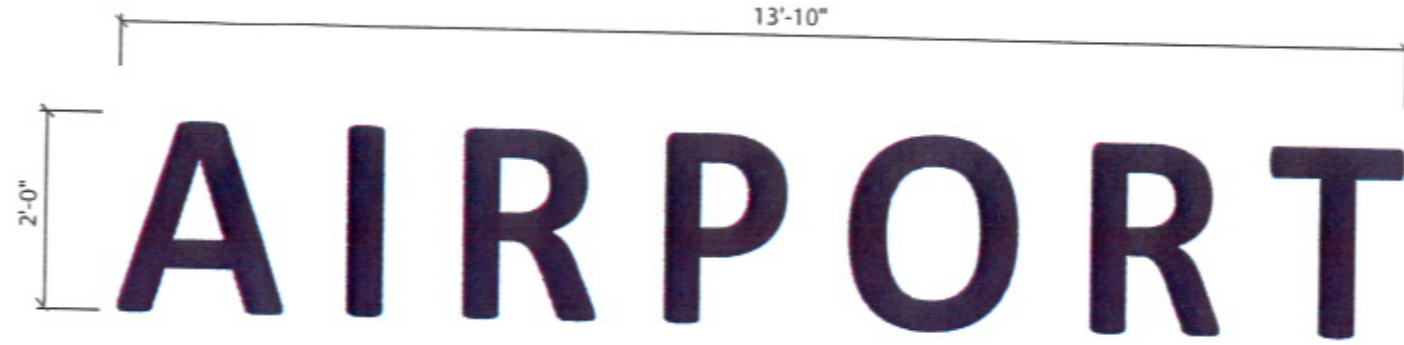
This document is the sole property of Berberich Design, Inc., and all drawing are protected under US copyright law. The reproduction, reuse and sales rights regarding the drawings and designs herein are expressly forbidden. It is submitted under a confidential relationship, for a special purpose, and the recipient, by accepting this document shall not be copied or reproduced in whole or in part, nor its contents revealed in any manner or to any person except for the purpose for which it was tendered, nor any special features peculiar to this design be incorporated in other projects.

BERBERICH DESIGN

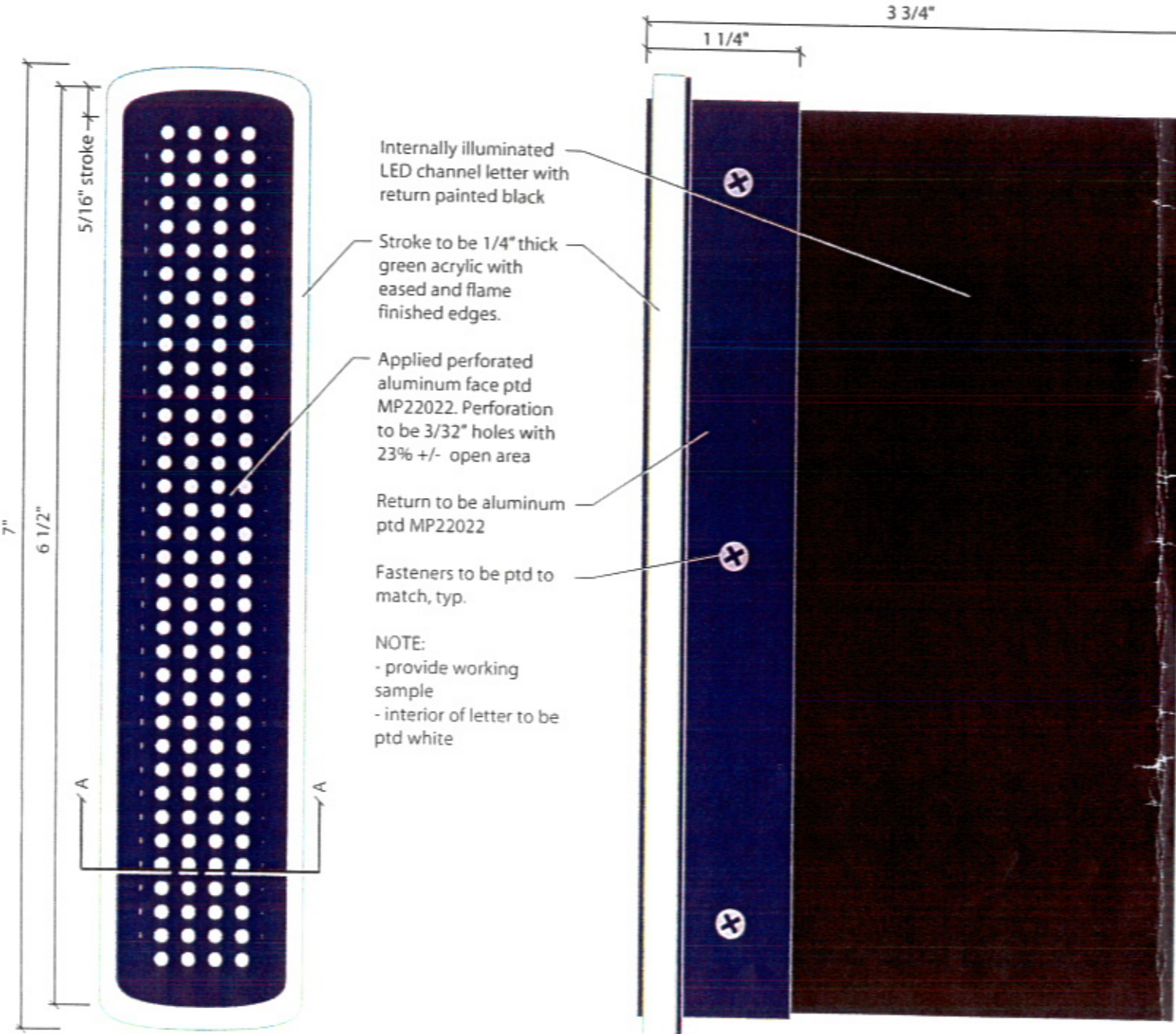
Main Site Sign



1.0.3 Main Site Sign - Letter Section AA
A SCALE: Full

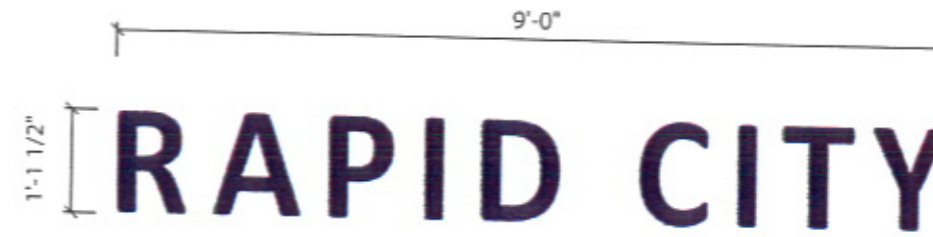


1.0.3 Main Site Sign
D SCALE: 1/4" - 1'-0"

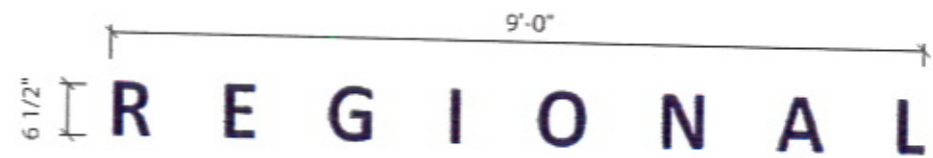


1.0.3 Main Site Sign - Letter
B SCALE: Full

1.0.3 Main Site Sign - Letter Side View
C SCALE: Full



1.0.3 Main Site Sign
E SCALE: 1/4" - 1'-0"



1.0.3 Main Site Sign
F SCALE: 1/4" - 1'-0"



1.0.3 Main Site Sign - Typical LED Install
G SCALE: 1/4" - 1'-0"



DESIGN INC

PO Box 468
Hill City, SD 57745
605-574-4692 (office)
605-574-4695 (fax)
605-430-5170 (cell)
ray@berberichdesign.com

Client:
Rapid City Regional Airport
4550 Terminal Road
Suite 102
Rapid City, SD 57703

Contact:
Jennifer Eckman
605-394-4195 office
605-394-6190 fax

Project:
Exterior Signage Package

Date:
12/07/2009

Notes / Revisions:
-
-
-

The sole purpose of all drawings is to express visual design intent only and not intended for actual fabrication purposes. The sign fabricator(s) and/or contractor(s) accepts total responsibility for all final selected materials, engineering methods, fabrication methods, permitting and installation.

This document is the sole property of Berberich Design, Inc., and all drawing are protected under US copyright law. The reproduction, reuse and sales rights regarding the drawings and designs herein are expressly forbidden. It is submitted under a confidential relationship, for a special purpose, and the recipient, by accepting this document shall not be copied or reproduced in whole or in part, nor its contents revealed in any manner or to any person except for the purpose for which it was tendered, nor any special features peculiar to this design be incorporated in other projects.

BERBERICH DESIGN

Main Site Sign
Typical Letter

1.0.3



DESIGN INC

PO Box 468
 Hill City, SD 57745
 605-574-4692 (office)
 605-574-4695 (fax)
 605-430-5170 (cell)
 ray@berberichdesign.com

Client:
Rapid City Regional Airport
 4550 Terminal Road
 Suite 102
 Rapid City, SD 57703

Contact:
 Jennifer Eckman
 605-394-4195 office
 605-394-6190 fax

Project:
 Exterior Signage Package

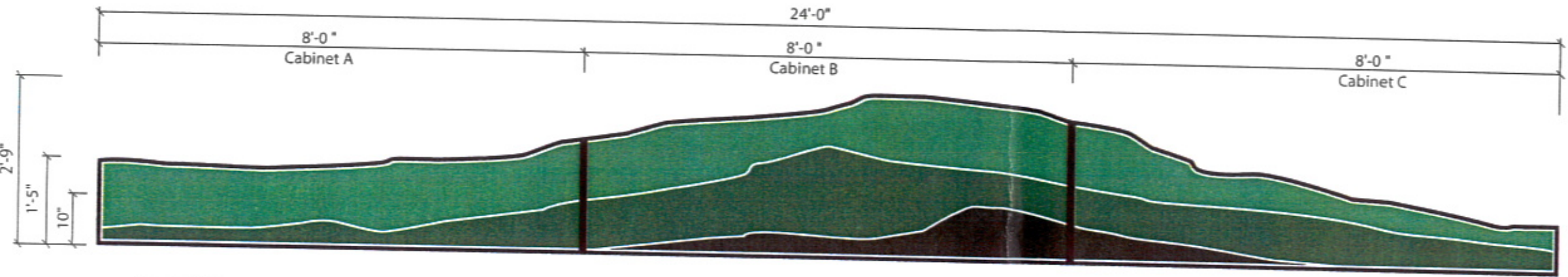
Date:
 12/07/2009

Notes / Revisions:
 -
 -
 -

The sole purpose of all drawings is to express visual design intent only and not intended for actual fabrication purposes. The sign fabricator(s) and/or contractor(s) accepts total responsibility for all final selected materials, engineering methods, fabrication methods, permitting and installation.

This document is the sole property of Berberich Design, Inc., and all drawing are protected under US copyright law. The reproduction, reuse and sales rights regarding the drawings and designs herein are expressly forbidden. It is submitted under a confidential relationship, for a special purpose, and the recipient, by accepting this document shall not be copied or reproduced in whole or in part, nor its contents revealed in any manner or to any person except for the purpose for which it was rendered, nor any special features peculiar to this design be incorporated in other projects.

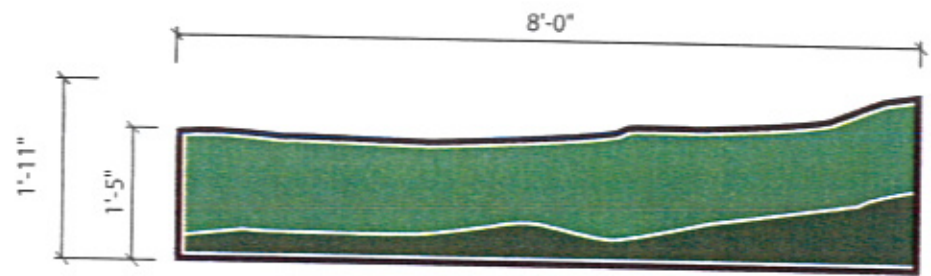
Main Site Sign



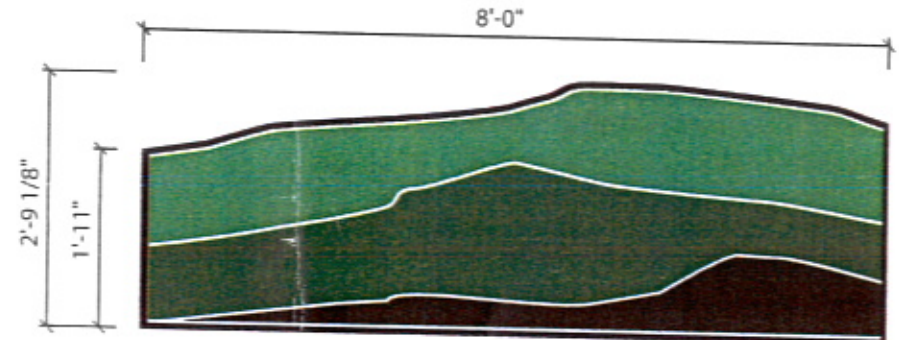
1.0.4 Main Site Sign - Detail
 A SCALE: 1/2" - 1'-0"



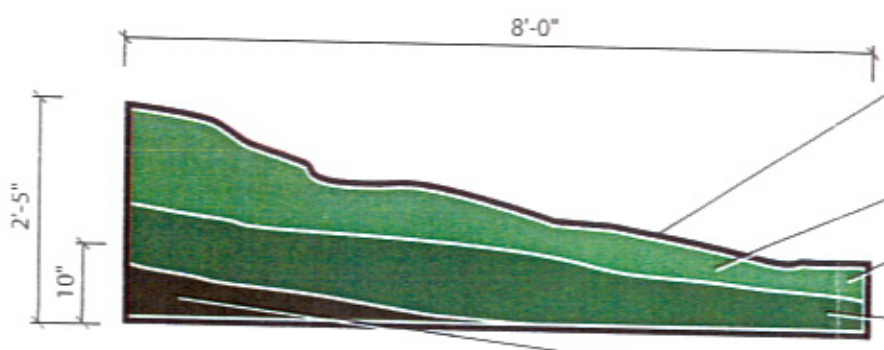
1.0.4 Typical Side View
 B SCALE: 1/2" - 1'-0"



1.0.4 Main Site Sign - Cabinet A
 C SCALE: 1/2" - 1'-0"



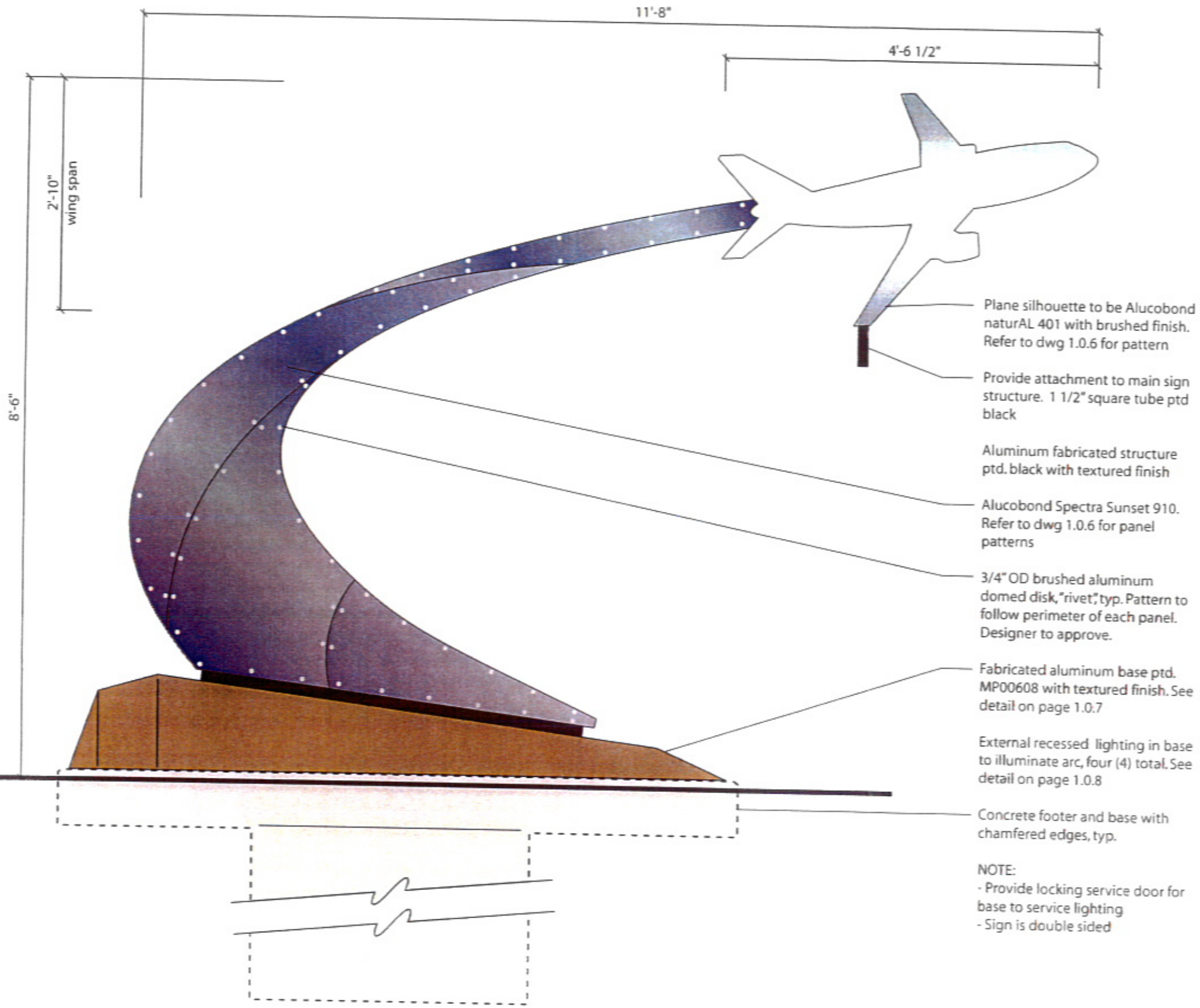
1.0.4 Main Site Sign - Cabinet B
 D SCALE: 1/2" - 1'-0"



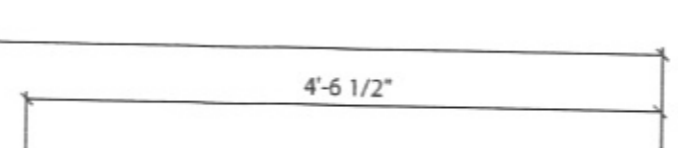
1.0.4 Main Site Sign - Cabinet C
 E SCALE: 1/2" - 1'-0"

- Internally illuminated LED double sign cabinet ptd black with textured finish.
- Translucent face, typ.
- Applied 3M vinyl 3630-106 Brilliant Green
- Applied 3M vinyl 3630-156 Vivid Green
- Applied layered 3M vinyl 3630-136 Lime Green and overlaid with 3630-76 Holly Green

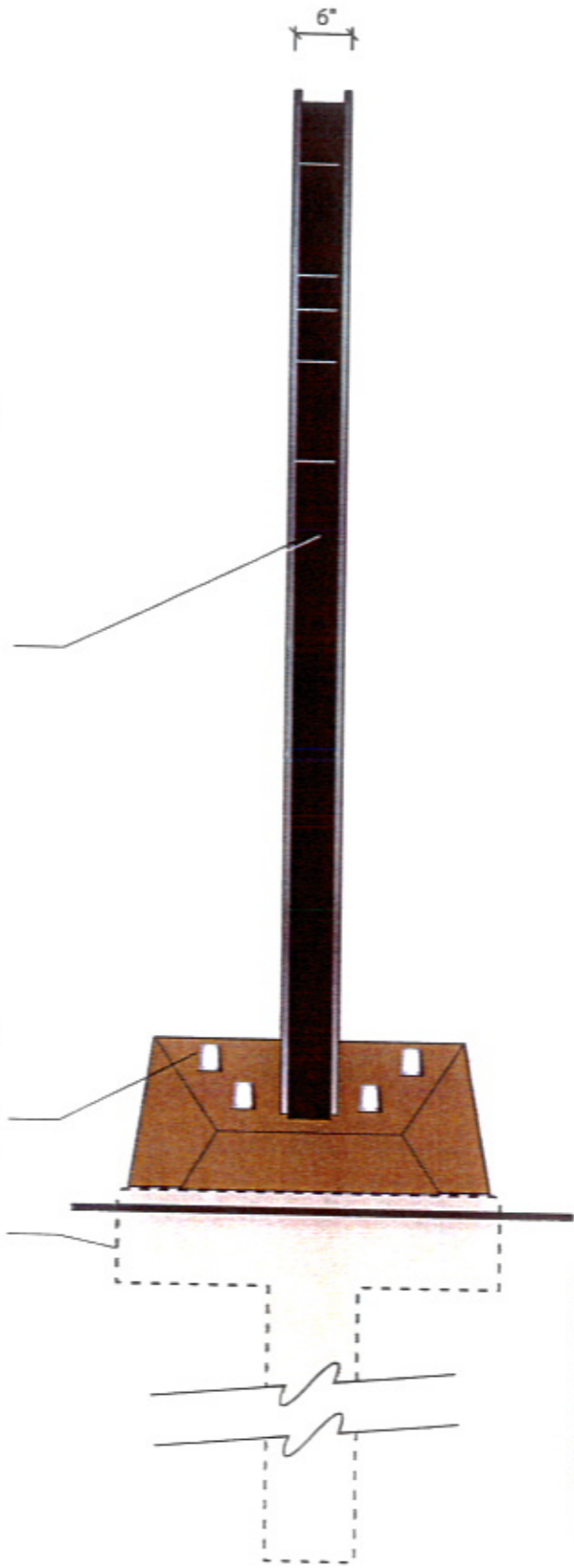
NOTE:
 - Two sets of 6" square samples of translucent face and applied vinyl required for approval



1.0.5 Main Site Sign - Elevation
A SCALE: 3/4" - 1'-0"



- Plane silhouette to be Alucobond naturAL 401 with brushed finish. Refer to dwg 1.0.6 for pattern
 - Provide attachment to main sign structure. 1 1/2" square tube ptd black
 - Aluminum fabricated structure ptd. black with textured finish
 - Alucobond Spectra Sunset 910. Refer to dwg 1.0.6 for panel patterns
 - 3/4" OD brushed aluminum domed disk, "rivet", typ. Pattern to follow perimeter of each panel. Designer to approve.
 - Fabricated aluminum base ptd. MP00608 with textured finish. See detail on page 1.0.7
 - External recessed lighting in base to illuminate arc, four (4) total. See detail on page 1.0.8
 - Concrete footer and base with chamfered edges, typ.
- NOTE:
 - Provide locking service door for base to service lighting
 - Sign is double sided



1.0.5 Main Site Sign - Elevation
B SCALE: 3/4" - 1'-0"



DESIGN INC

PO Box 468
 Hill City, SD 57745
 605-574-4692 (office)
 605-574-4695 (fax)
 605-430-5170 (cell)
 ray@berberichdesign.com

Client:
Rapid City Regional Airport
 4550 Terminal Road
 Suite 102
 Rapid City, SD 57703

Contact:
 Jennifer Eckman
 605-394-4195 office
 605-394-6190 fax

Project:
 Exterior Signage Package

Date:
 12/07/2009

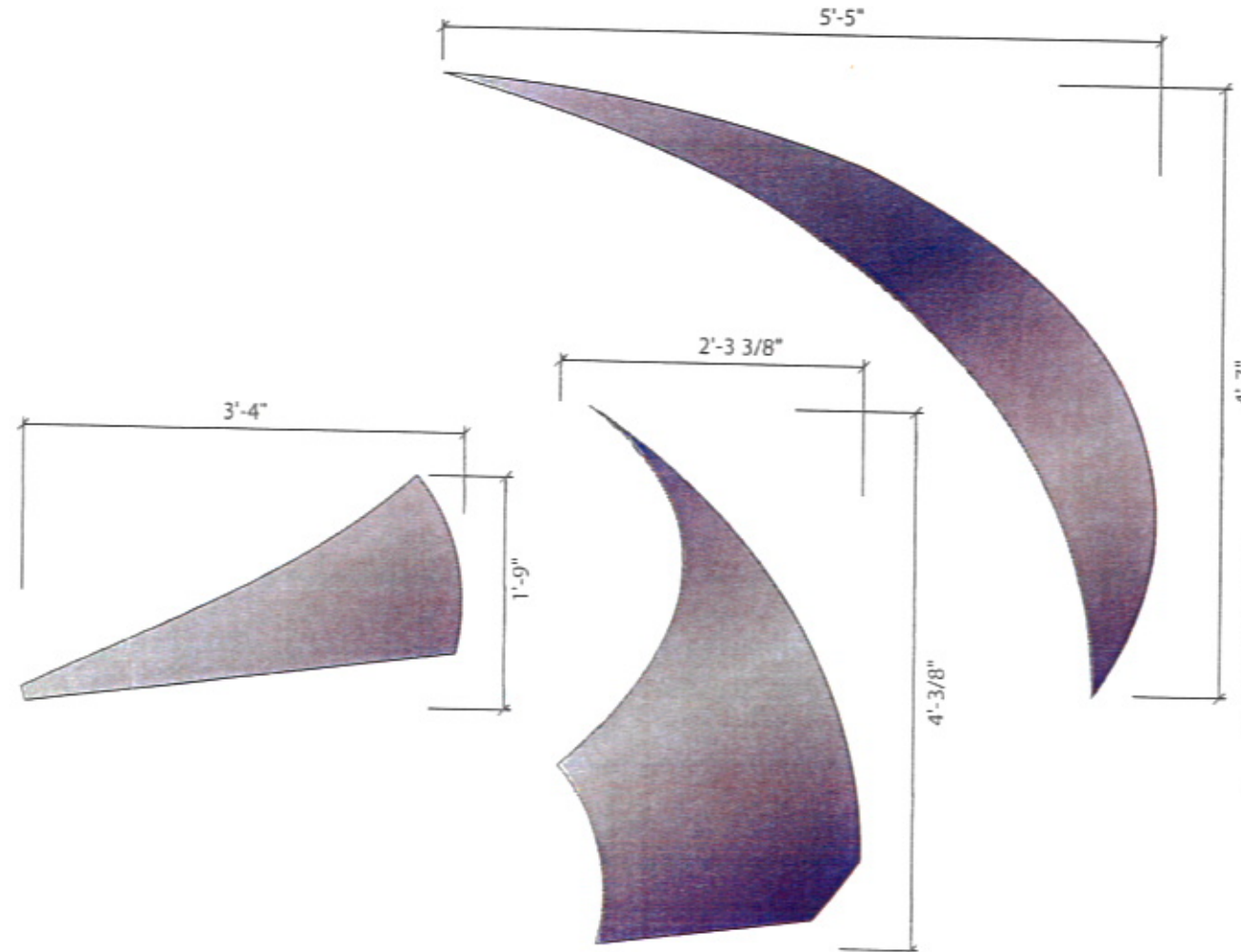
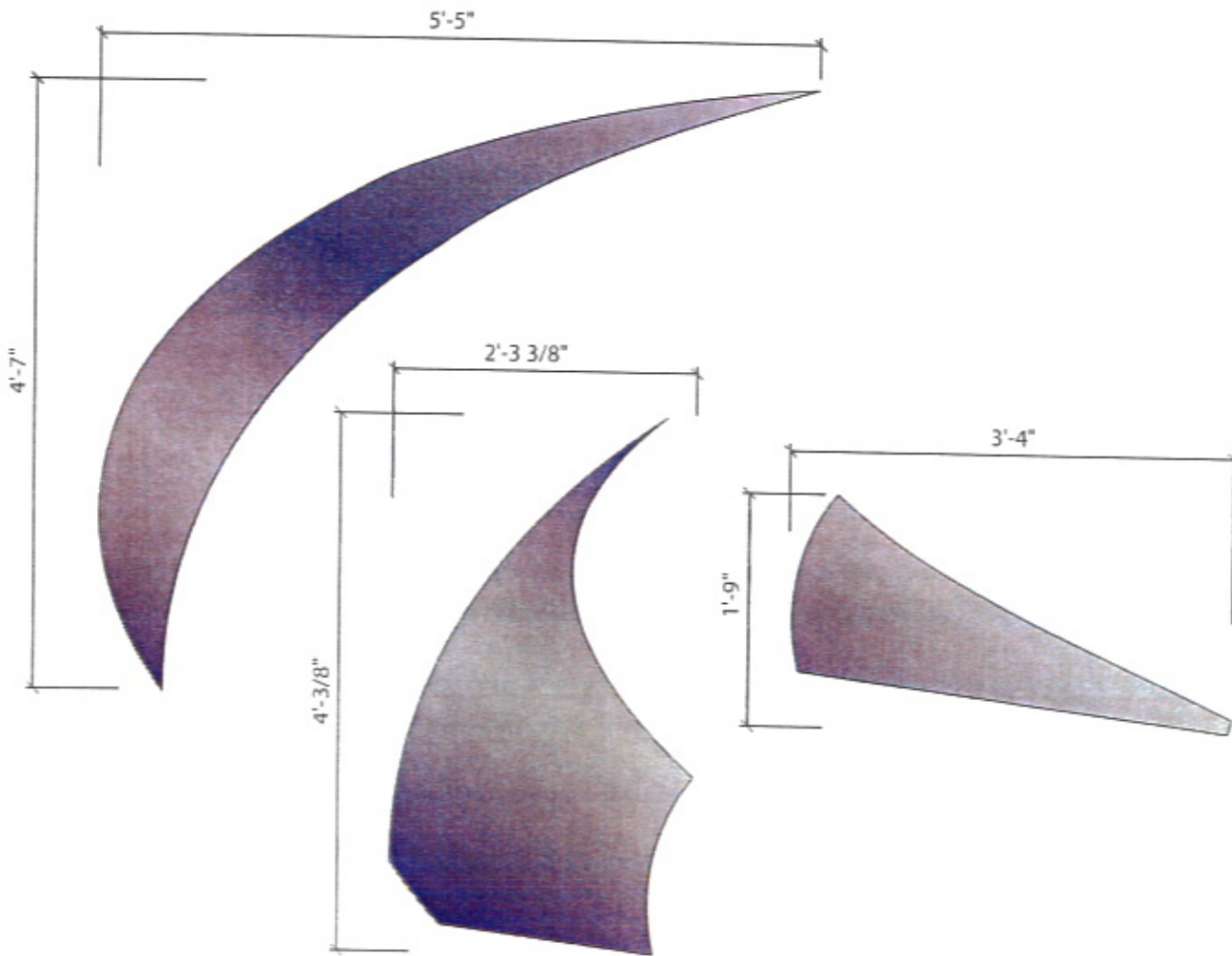
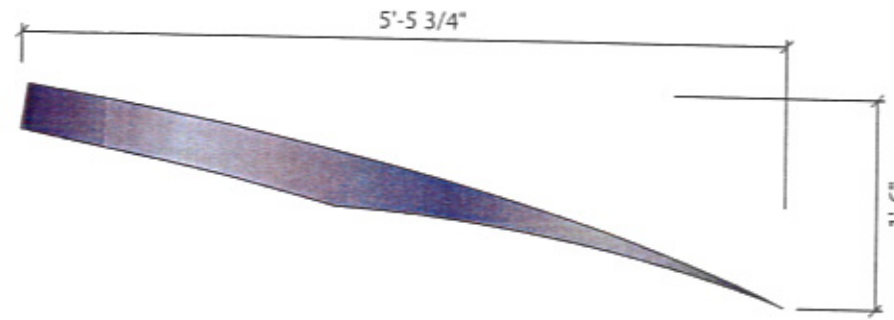
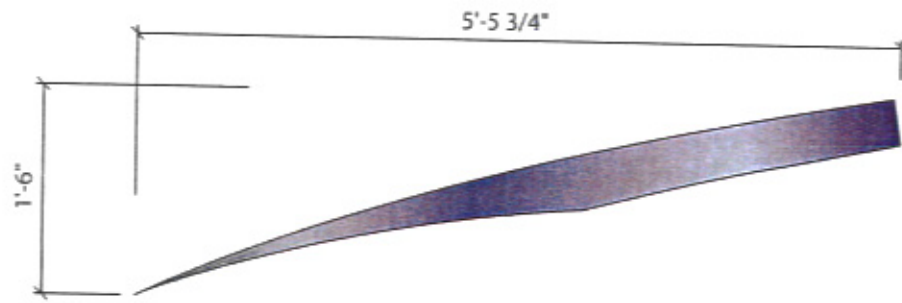
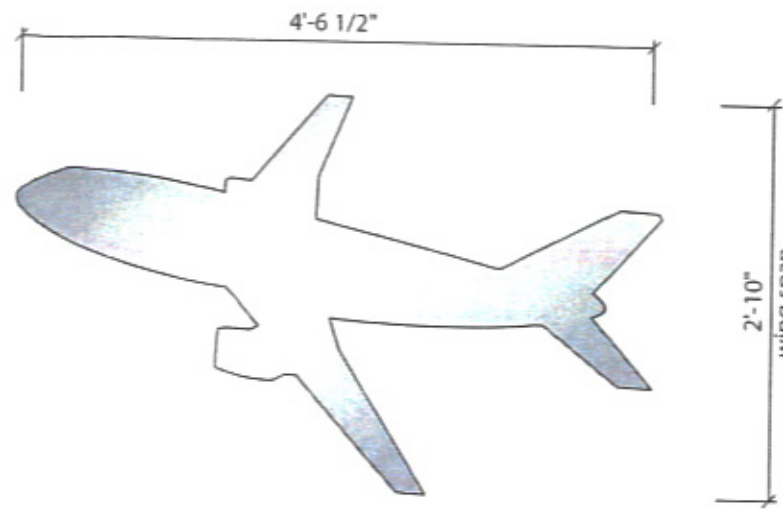
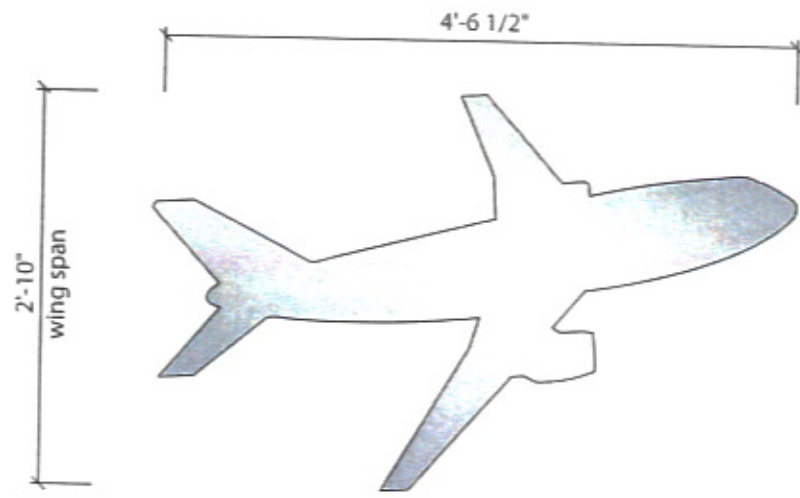
Notes / Revisions:
 -
 -
 -

The sole purpose of all drawings is to express visual design intent only and not intended for actual fabrication purposes. The sign fabricator(s) and / or contractor(s) accepts total responsibility for all final selected materials, engineering methods, fabrication methods, permitting and installation.

This document is the sole property of Berberich Design, Inc., and all drawing are protected under US copyright law. The reproduction, reuse and sales rights regarding the drawings and designs herein are expressly forbidden. It is submitted under a confidential relationship, for a special purpose, and the recipient, by accepting this document shall not be copied or reproduced in whole or in part, nor its contents revealed in any manner or to any person except for the purpose for which it was tendered, nor any special features peculiar to this design be incorporated in other projects.

© BERBERICH DESIGN

Main Site Sign
 Plane / Swoop Detail



DESIGN INC

PO Box 468
 Hill City, SD 57745
 605-574-4692 (office)
 605-574-4695 (fax)
 605-430-5170 (cell)
 ray@berberichdesign.com

Client:
Rapid City Regional Airport
 4550 Terminal Road
 Suite 102
 Rapid City, SD 57703

Contact:
 Jennifer Eckman
 605-394-4195 office
 605-394-6190 fax

Project:
 Exterior Signage Package

Date:
 12/07/2009

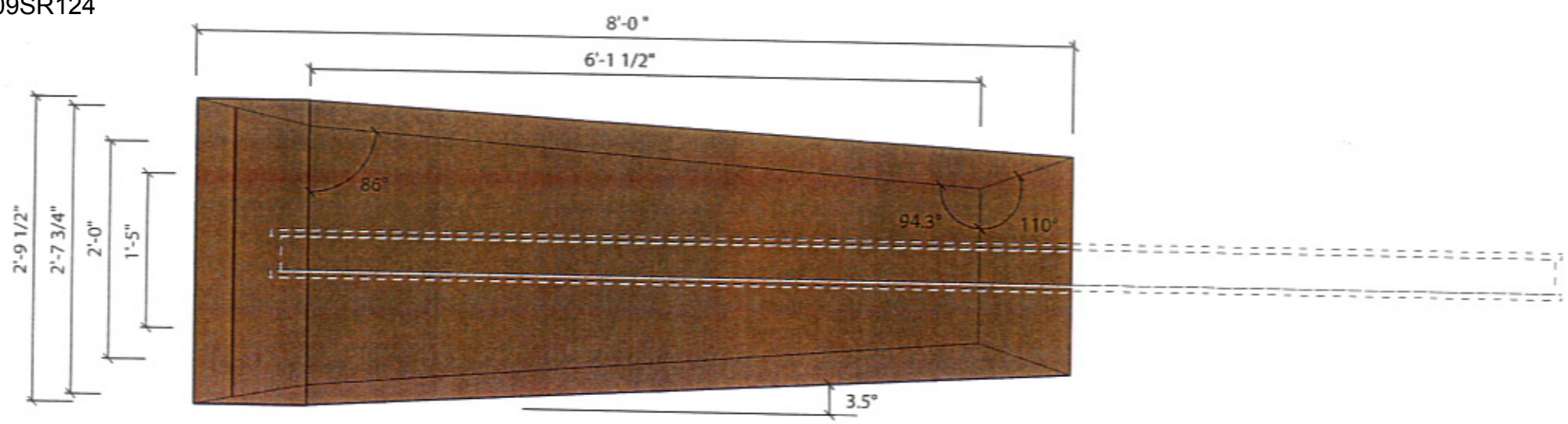
Notes / Revisions:

The sole purpose of all drawings is to express visual design intent only and not intended for actual fabrication purposes. The sign fabricator(s) and / or contractor(s) accepts total responsibility for all final selected materials, engineering methods, fabrication methods, permitting and installation.

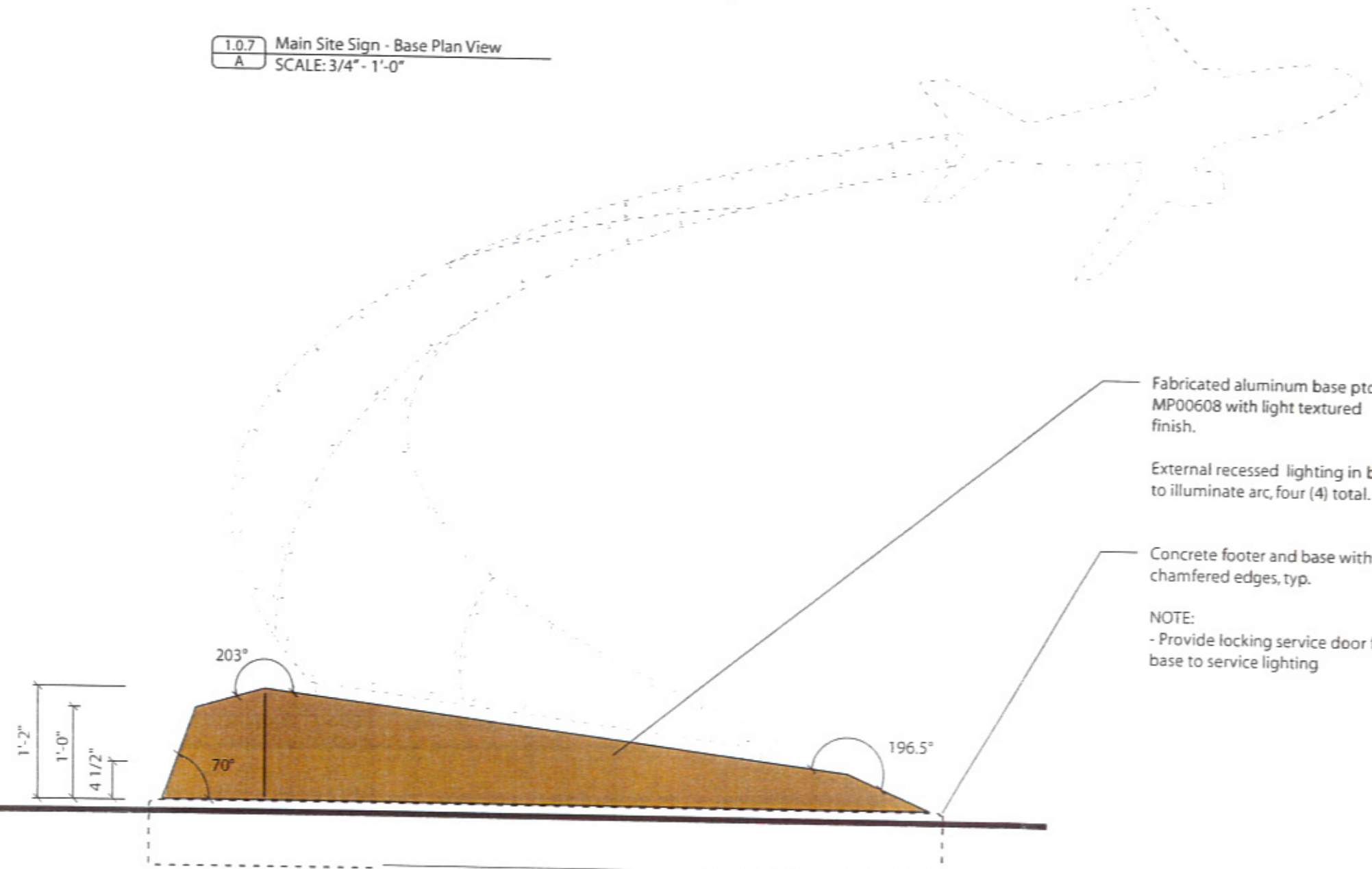
This document is the sole property of Berberich Design, Inc., and all drawing are protected under US copyright law. The reproduction, reuse and sales rights regarding the drawings and designs herein are expressly forbidden. It is submitted under a confidential relationship, for a special purpose, and the recipient, by accepting this document shall not be copied or reproduced in whole or in part, nor its contents revealed in any manner or to any person except for the purpose for which it was tendered, nor any special features peculiar to this design be incorporated in other projects.

© BERBERICH DESIGN

Main Site Sign
 Panel Details



1.0.7 Main Site Sign - Base Plan View
A SCALE: 3/4" - 1'-0"



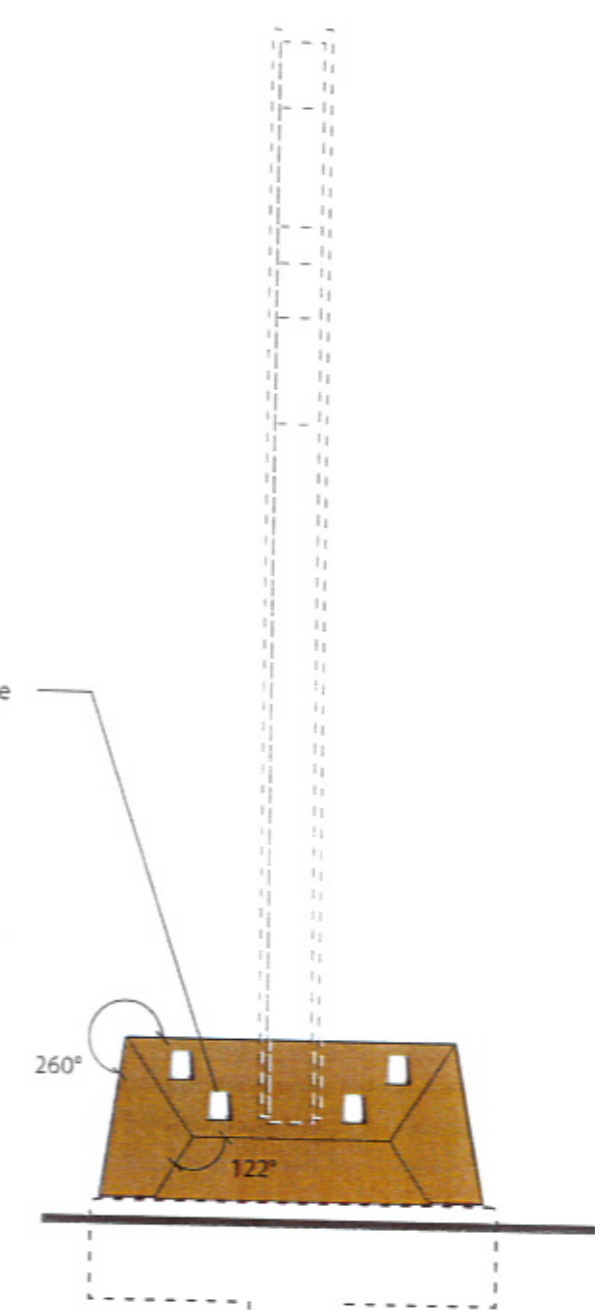
1.0.7 Main Site Sign - Base Side View
B SCALE: 3/4" - 1'-0"

Fabricated aluminum base ptd. MP00608 with light textured finish.

External recessed lighting in base to illuminate arc, four (4) total.

Concrete footer and base with chamfered edges, typ.

NOTE:
- Provide locking service door for base to service lighting



1.0.7 Main Site Sign - Base
C SCALE: 3/4" - 1'-0"



DESIGN INC

PO Box 468
Hill City, SD 57745
605-574-4692 (office)
605-574-4695 (fax)
605-430-5170 (cell)
ray@berberichdesign.com

Client:
Rapid City Regional Airport
4550 Terminal Road
Suite 102
Rapid City, SD 57703

Contact:
Jennifer Eckman
605-394-4195 office
605-394-6190 fax

Project:
Exterior Signage Package

Date:
12/07/2009

Notes / Revisions:
-
-
-

The sole purpose of all drawings is to express visual design intent only and not intended for actual fabrication purposes. The sign fabricator(s) and / or contractor(s) accepts total responsibility for all final selected materials, engineering methods, fabrication methods, permitting and installation.

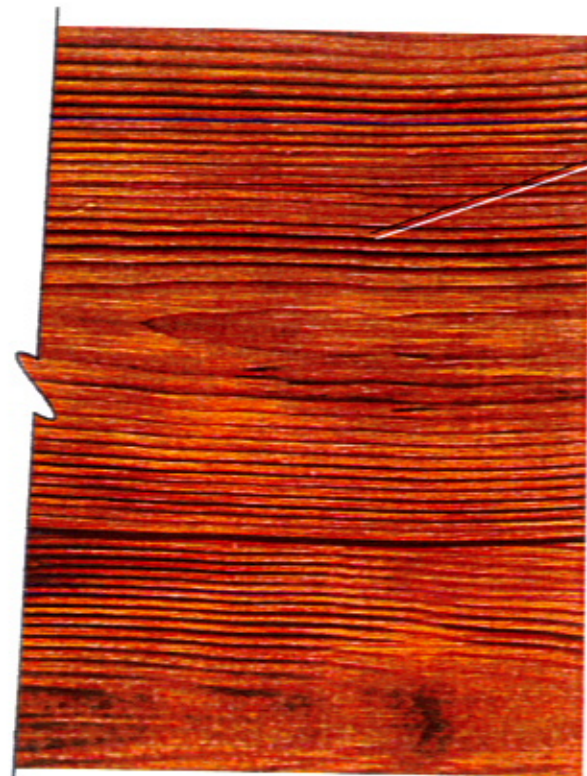
This document is the sole property of Berberich Design, Inc., and all drawing are protected under US copyright law. The reproduction, reuse and sales rights regarding the drawings and designs herein are expressly forbidden. It is submitted under a confidential relationship, for a special purpose, and the recipient, by accepting this document shall not be copied or reproduced in whole or in part, nor its contents revealed in any manner or to any person except for the purpose for which it was tendered, nor any special features peculiar to this design be incorporated in other projects.

© BERBERICH DESIGN

Main Site Sign
Base Detail



1.0.8 C - Channel - Returns
A SCALE: 1:2

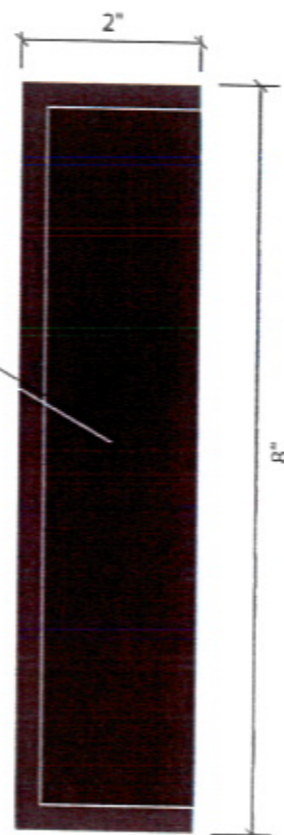


1.0.8 C - Channel - Front Face
B SCALE: 1:2

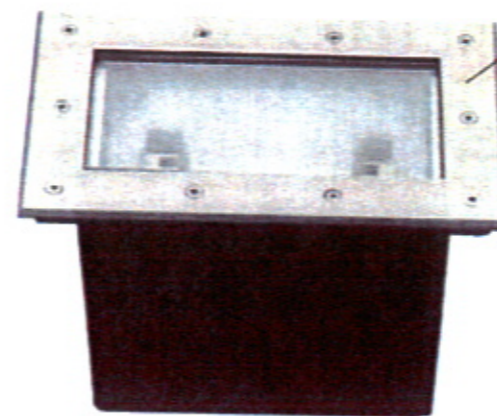
"C" Channel to be primed, ptd with wood faux finish and UV clearcoated

Back side of "C" Channel to be primed and painted black

NOTE:
- all exposed fasteners to be painted to match
- two (2) 24'-0" lengths required
- paint samples required



1.0.8 C - Channel - Section
C SCALE: 1:2

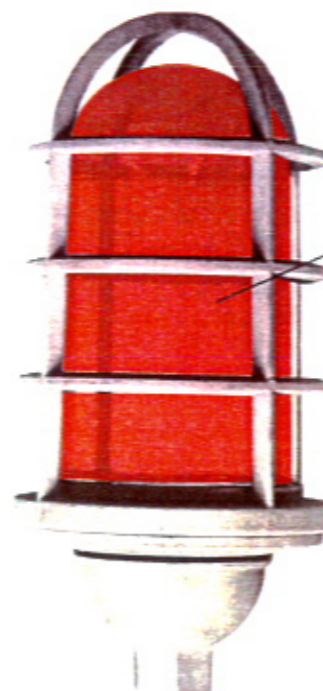


Light Fixture to be ARCO 13 - 16281
- Linear halogen
- Rectangle up light
- IP68 rated. HIT-DE 250w
- Toughened Glass 8mm
- Stainless steel allan key screws

www.greentechlighting.com.au/index.php

NOTE:
- alternate but equal fixtures to be considered

1.0.8 Ground Light Fixture
D SCALE: 1/4" - 1'-0"



Weatherproof industrial jelly jar light fixture with red prismatic Lexan lens. Total of 8 fixtures required.

Refer to:
www.msdirect.com
Catalog Page 3337

NOTE:
- alternate but equal fixtures to be considered

1.0.8 Jelly Jar Light Fixture.
E SCALE: 1/4" - 1'-0"

PO Box 468
Hill City, SD 57745
605-574-4692 (office)
605-574-4695 (fax)
605-430-5170 (cell)
ray@berberichdesign.com

Client:
Rapid City Regional Airport
4550 Terminal Road
Suite 102
Rapid City, SD 57703

Contact:
Jennifer Eckman
605-394-4195 office
605-394-6190 fax

Project:
Exterior Signage Package

Date:
12/07/2009

Notes / Revisions:
-
-
-

The sole purpose of all drawings is to express visual design intent only and not intended for actual fabrication purposes. The sign fabricator(s) and / or contractor(s) accepts total responsibility for all final selected materials, engineering methods, fabrication methods, permitting and installation.

This document is the sole property of Berberich Design, Inc., and all drawing are protected under US copyright law. The reproduction, reuse and sales rights regarding the drawings and designs herein are expressly forbidden. It is submitted under a confidential relationship, for a special purpose, and the recipient, by accepting this document shall not be copied or reproduced in whole or in part, nor its contents revealed in any manner or to any person except for the purpose for which it was tendered, nor any special features peculiar to this design be incorporated in other projects.

BERBERICH DESIGN

Main Site Sign