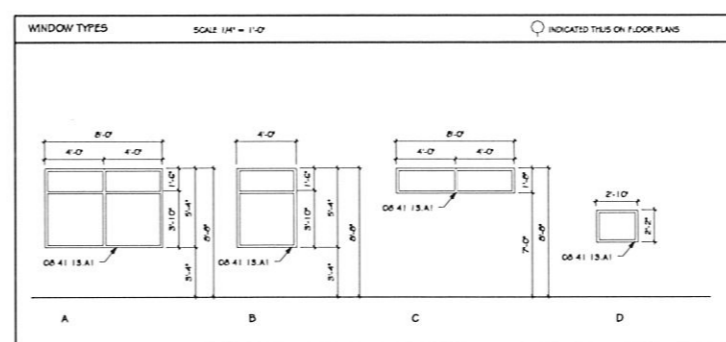
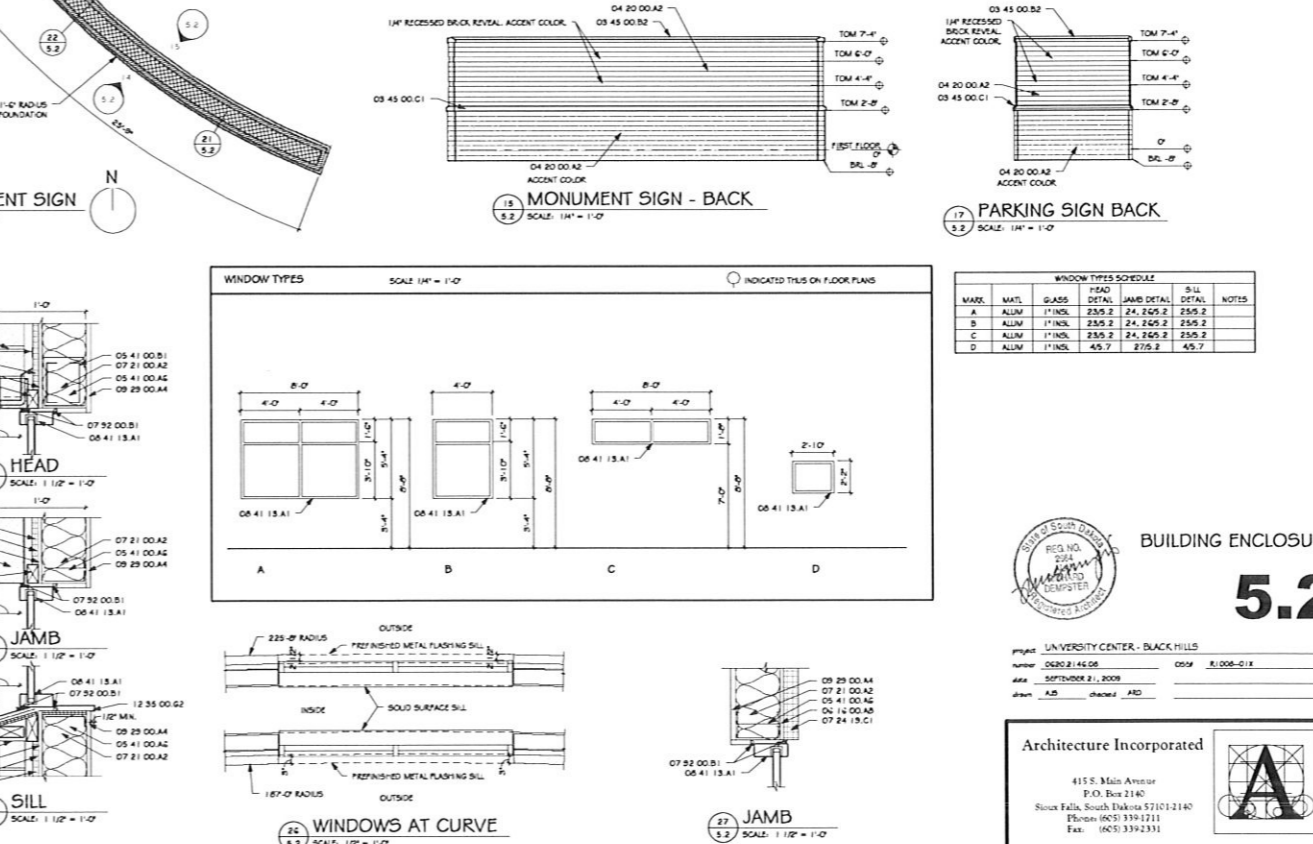
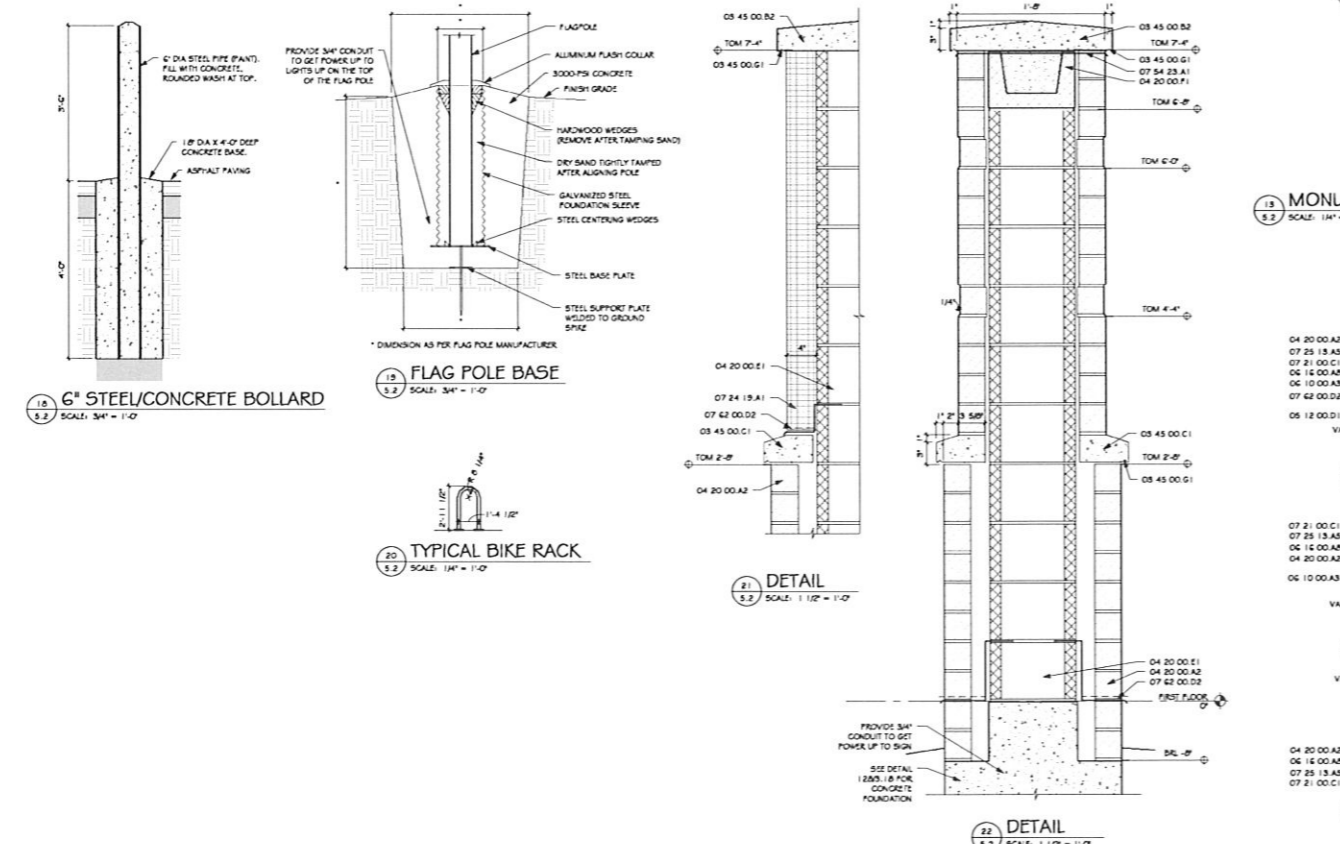
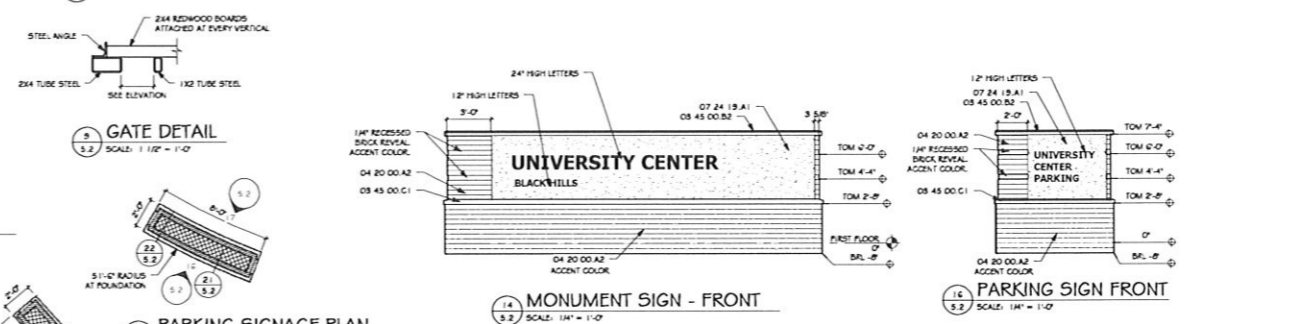
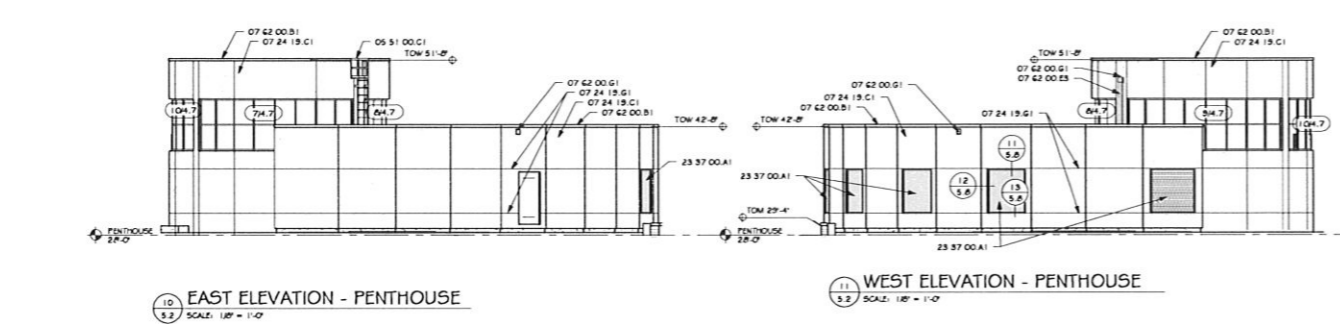


KEYNOTES

Key Note
03 45 00 B2 4" THICK PRECAST CONCRETE CAP
03 45 00 C1 PRECAST CONCRETE SILL WITH SLOPED TOP, CONNECTORS BY PRECAST SUPPLIER
03 45 00 D1 CRP
04 20 00 A2 FACE BRICK, 4 1/2" UTILITY
04 20 00 B1 CONCRETE MASONRY UNIT
04 20 00 F1 BOND BEAM
05 12 00 D1 STEEL ANGLE, SEE STRUCTURAL DRAWINGS FOR SIZE
05 41 00 A2 2" METAL STUD AT 1' O.C.
05 41 00 B1 BEADER
05 51 00 C1 STEEL LADDER PAINT
06 10 00 A3 TREATED WOOD BLOCKING
06 16 00 A5 1/2" DENS-GLOSS GYPSUM SHEATHING
07 21 00 A2 BATT INSULATION WITH VAPOR RETARDER
07 21 00 C1 5/8" RIGID CAULKY INSULATION
07 24 19 A1 EXTERIOR INSULATION FINISH SYSTEM WITH WATER DRAINAGE
07 24 19 B1 1" JOINT
07 25 13 A5
07 54 23 A1 THERMOPLASTIC POLYOLEFIN (TPO) ROOFING
07 62 00 B1 PREFINISHED METAL COPING
07 62 00 D2 TRU-WALL JASLING
07 62 00 D3 PREFINISHED METAL OPEN-FACED DOWNSPOUT
07 62 00 G1 PREFINISHED METAL OVER-FLOW SCUPPER INLET FLOW LINE LOCATED 2' ABOVE ROOF DRAIN
07 92 00 B1 BACKER ROD WITH SEALANT
08 41 13 A1 ALUMINUM STOREFRONT FRAMING
09 29 00 A4 SMP GYPSUM BOARD
18 35 00 G2
23 37 00 A1 PREFINISHED METAL LOUVER BY MECHANICAL, COLOR SELECTED BY ARCHITECT
26 56 00 A1 LIGHT FIXTURE



WINDOW TYPES SCHEDULE

MARK.	MATL.	GLASS	HEAD DETAIL	JAMB DETAIL	SILL DETAIL	NOTES
A	ALUM.	1" INCL.	235.2	24, 245.2	255.2	
B	ALUM.	1" INCL.	235.2	24, 245.2	255.2	
C	ALUM.	1" INCL.	235.2	24, 245.2	255.2	
D	ALUM.	1" INCL.	45.7	275.2	45.7	



UNIVERSITY CENTER - BLACK HILLS
number 06802146.06
date SEPTEMBER 21, 2009
drawn ASB checked ARD

Architecture Incorporated

415 S. Main Avenue
P.O. Box 2140
Sioux Falls, South Dakota 57101-2140
Phone: (605) 339-1711
Fax: (605) 339-2331

