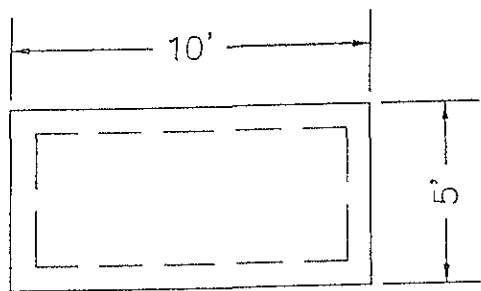


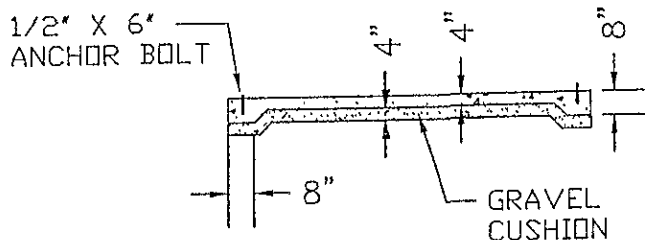
# STANDARD SHELTER FOUNDATION



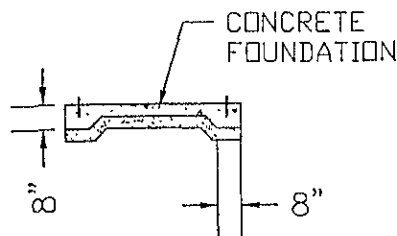
PLAN

NOTE:  
ANCHOR BOLTS TO  
MATCH HOLES IN  
SHELTER WALLS

ALL CONCRETE SHALL  
BE M6

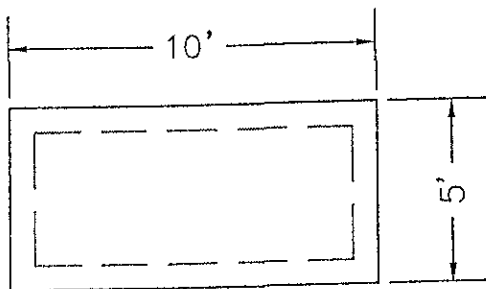


FRONT



SIDE

# FOUNDATION WITH BACK WALL

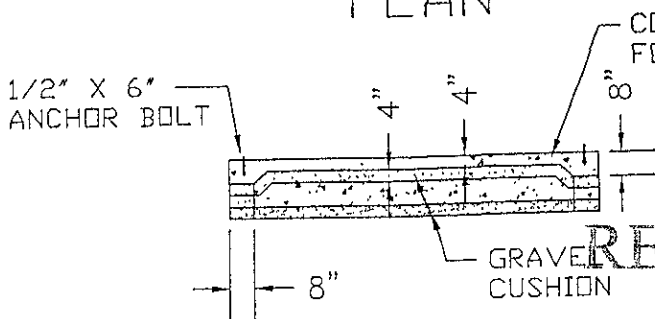


PLAN

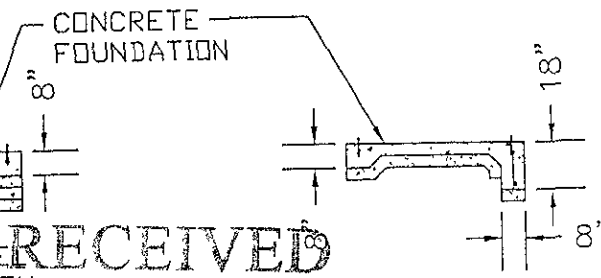
NOTE:  
ANCHOR BOLTS TO MATCH  
HOLES IN SHELTER WALLS

ALL CONCRETE SHALL BE M6

WALL REINFORCING STEEL:  
#4 REBAR @ 15' O.C. VERT.  
2-#4 REBAR HORIZ.  
MAINTAIN 3" CLEARANCE



FRONT



SIDE

RECEIVED

OCT 15 2009

D-1