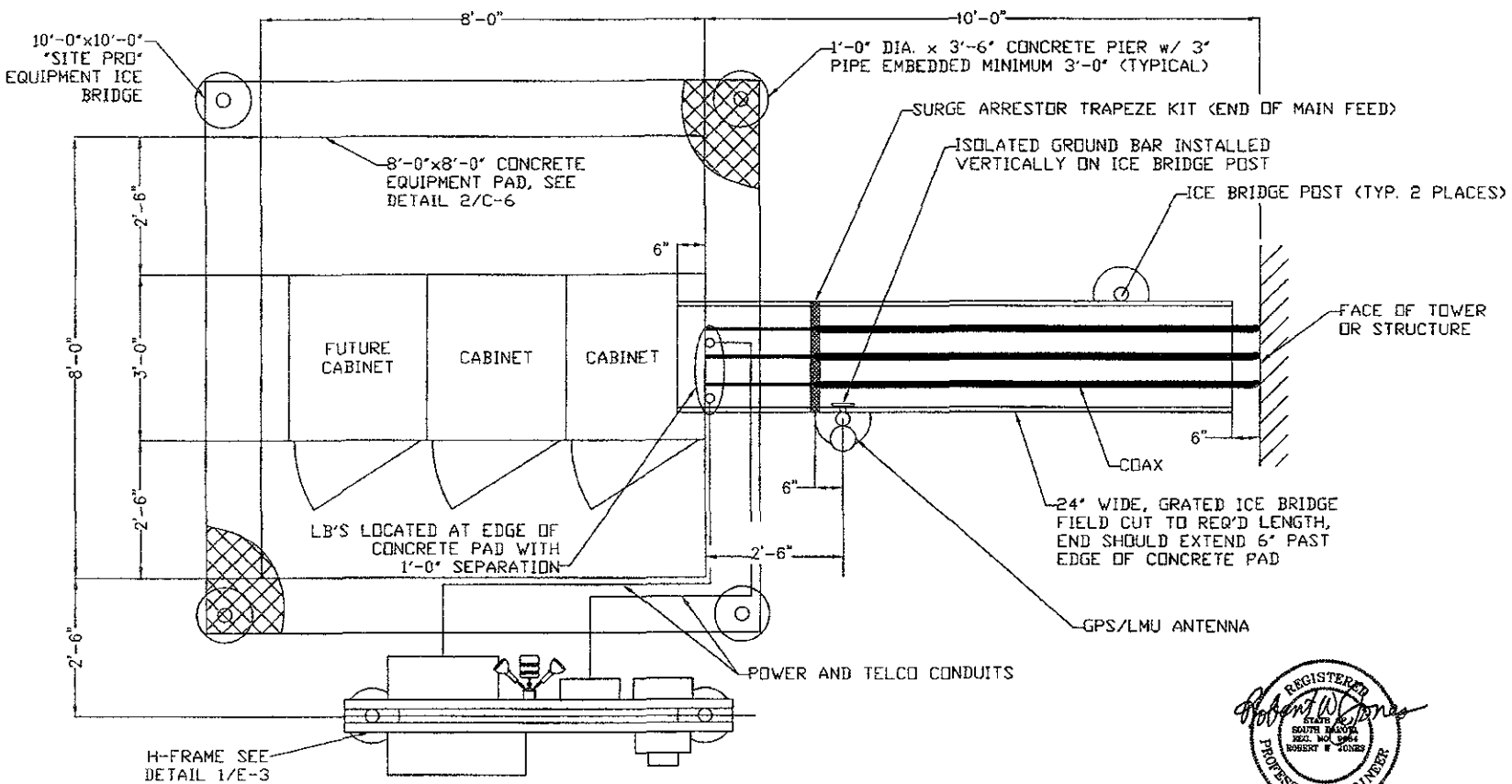


TYPICAL LAYOUT - SEE COMPOUND PLAN FOR EXACT EQUIPMENT LAYOUT



1 TYPICAL OUTDOOR EQUIPMENT/WAVE GUIDE BRIDGE PLAN
SCALE: N.T.S.



OWNER
BWS LLC.
150 HAZEL ST. SW.
P.O. BOX 48
KINGSLAND, SD 57055

PROJECT MANAGER
i wireless
4135 N W URBANVALE DRIVE
URBANDALE, IA 50222

SITE NAME
RAPID CREEK
SITE NO. SD-0147

DATE: 04/22/08

NO.	DATE	DESCRIPTION
Δ	4/28/08	PRELIMINARY
Δ	6/22/09	CLIENT REVIEW
Δ		
Δ		
Δ		
Δ		

P.O. BOX 7640
LEAWOOD, MO 64087
913.322.1912

Adams
WIRELESS CONSULTING

THIS DRAWING IS COPYRIGHTED AND IS THE SOLE PROPERTY OF THE OWNER. IT IS PRODUCED SOLELY FOR USE BY THE OWNER AND ITS AFFILIATES. REPRODUCTION OR USE OF THIS DRAWING AND/OR THE INFORMATION CONTAINED IN IT IS FORBIDDEN WITHOUT THE WRITTEN PERMISSION OF THE OWNER.

ADAMS WIRELESS PROJECT NUMBER
109903

SITE TYPE
MONOPOLE TOWER COLOCATION

SITE NUMBER
SD-0147

SITE ADDRESS
**718 STEELE AVENUE
RAPID CITY, SD 57709**

SHEET TITLE
ICE BRIDGE PLAN & DETAILS

SHEET NUMBER
A-4