

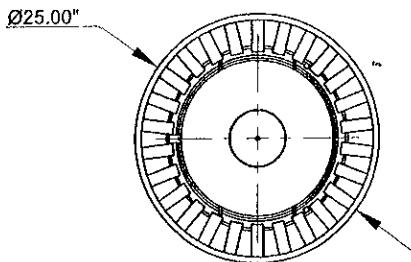
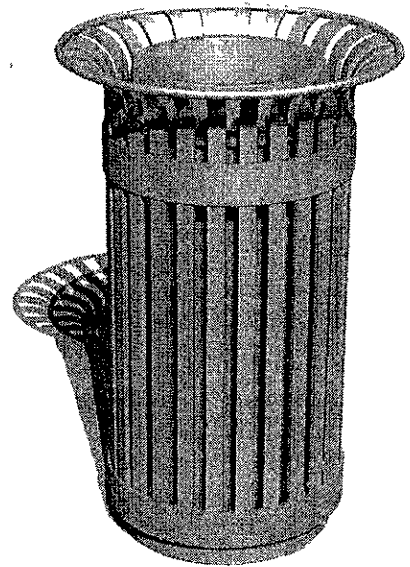


MAGLIN™

T 800-716-5506
 F 877-260-9393
 WWW.MAGLIN.COM
 SALES@MAGLIN.COM

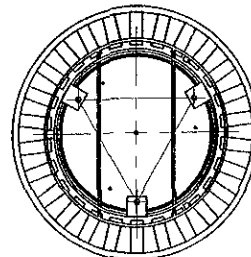
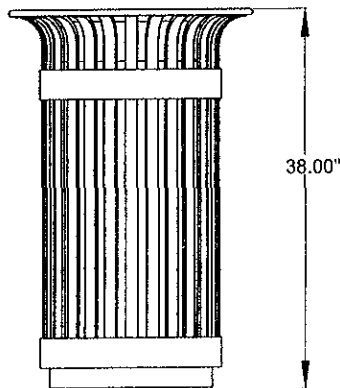
MLWR200-20

- MATERIALS:** The trash container frame is constructed using heavy duty steel flat bar. A 20 imperial gallon commercial grade plastic liner and funnel lid are provided.
- FINISH:** All steel components are protected with E-Coat rust proofing. The Maglin Powdercoat System provides a durable finish on all metal surfaces.
- INSTALLATION:** The trash container is delivered pre-assembled. Holes (0.5") are provided in each mounting foot for securing to base.
- TO SPECIFY:** Select MLWR200-20
 Choose:
 - Powdercoat Color
- OPTIONS:**
- Dome Lid (MDL-20)
 - Ash Tray - Side Mount (MAT100)
 - Ash Receptacle - Side Mount (MLAU101)
 - Dome with self closing door (MDLD-20)
 - Side Opening - MLWR200S-20



DIMENSIONS:

Height: 38.00" (96.5 cm)
 Diameter: 25.00" (63.5 cm)
 Weight: 170lbs (77kg)
 Liner Capacity: 24.0 US Gallons
 20.0 Imperial Gallons
 91.0 Litres



MOUNTING FEET

-All drawings, specifications, design and details on this page remain the property of Maglin Site Furniture Inc. and may not be used without Maglin authorization
 -Details and specifications may vary due to continuing improvements of our products



MAGLIN™

T 800-716-5506
 F 877-260-9393
 WWW.MAGLIN.COM
 SALES@MAGLIN.COM

MBR300 SERIES

MATERIALS: All parts are made from solid steel rod and H.S. steel tube.

FINISH: All steel components are protected with E-Coat rust proofing. The Maglin Powdercoat System provides a durable finish on all metal surfaces.

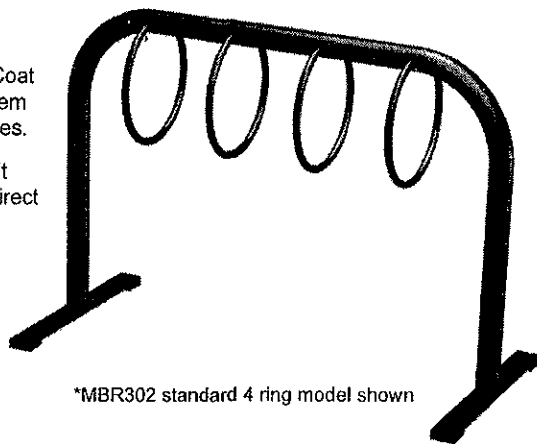
INSTALLATION: The bike rack is delivered pre-assembled. It is available with either a surface mount or direct burial installation option.

TO SPECIFY: Select: MBR300 Series
 Choose:
 - Powdercoat Color
 - Base Type
 - Direct Burial (MBR301)
 - Surface Mount (MBR302)

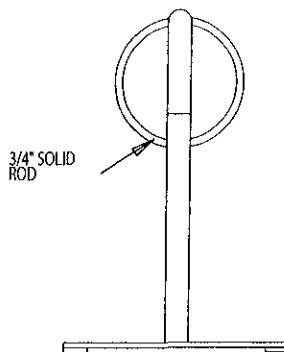
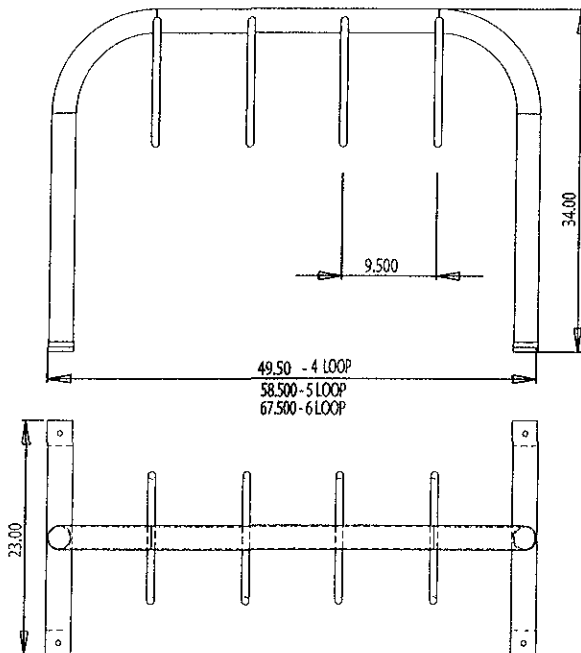
OPTIONS: - Number of Rings (2 - 7)

COMPLEMENTARY PRODUCTS:

- MLB590M
- MTB100 Series
- MLWR200-32



*MBR302 standard 4 ring model shown



DIMENSIONS:

Height: 34.00" (86.4 cm)
 Width: 49.00" (124.5 cm)
 Depth: 23.00" (58.4 cm)
 Weight: 75lbs (34.0kg)



MAGLIN™

T 800-716-5506
 F 877-260-9393
 WWW.MAGLIN.COM
 SALES@MAGLIN.COM

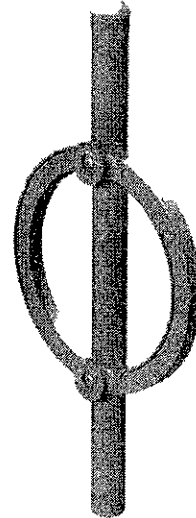
MBR200 SERIES

- MATERIALS:** The bike rack is constructed using galvanized H.S. steel tube and an aluminum casting. Custom raised lettering is available.
- FINISH:** The bike rack uses a galvanized post with a natural finish on the aluminum ring casting. The Maglin Powdercoat finish is also available.
- INSTALLATION:** The bike rack is delivered pre-assembled. It is available with either a surface mount or direct burial installation option.
- TO SPECIFY:** Select MBR200 Series
 Choose: Finish and Base Type
- Powdercoat Color
 - Direct Burial (MBR201)
 - Surface Mount (MBR202)
 - Natural Aluminum/Galvanized Finish
 - Direct Burial (MBR201G)
 - Surface Mount (MBR202G)

OPTIONS: - Personalization

COMPLEMENTARY PRODUCTS:

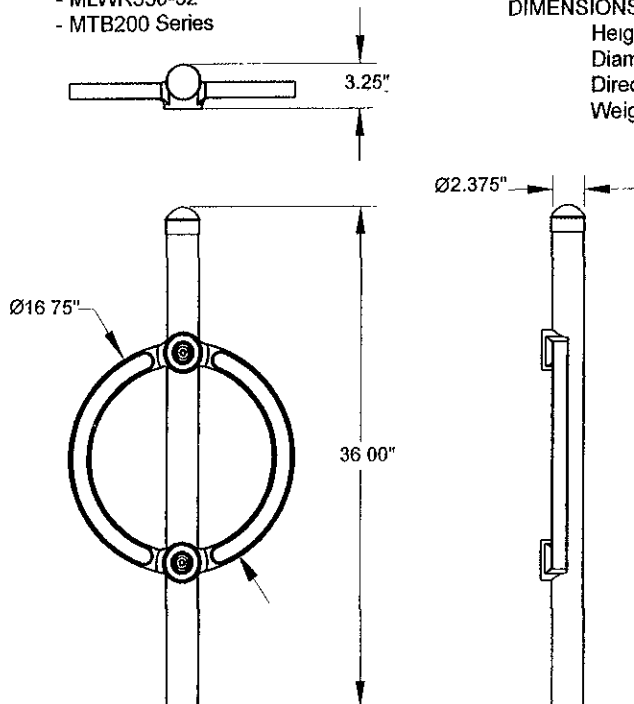
- MLB320W
- MLWR550-32
- MTB200 Series



*MBR201 direct burial model shown

DIMENSIONS

Height: 36.00" (91.44 cm)
 Diameter: 16.75" (42.5 cm)
 Direct Burial: 18.00" (45.7 cm) Below Grade
 Weight: 19.0lbs (8.6kg)





MAGLIN™

T 800-716-5506
 F 877-260-9393
 WWW.MAGLIN.COM
 SALES@MAGLIN.COM

MLB590M

MATERIALS: Bench ends are made from solid cast aluminum. The seat employs flat bar straps and H.S. steel tube.

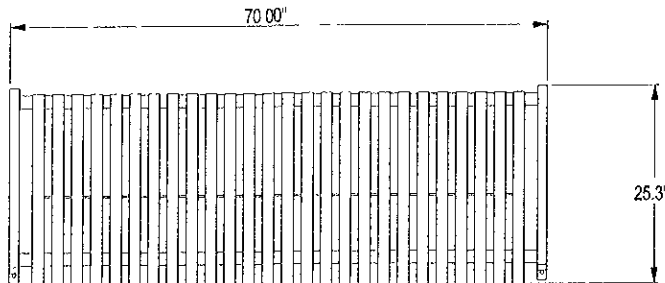
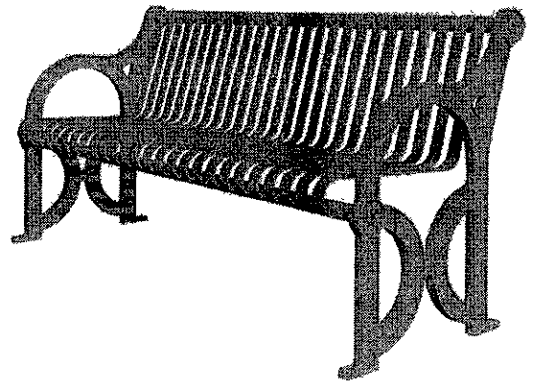
FINISH: All steel components are protected with E-Coat rust proofing. The Maglin Powdercoat System provides a durable finish on all metal surfaces.

INSTALLATION: The bench is delivered pre-assembled. Holes (0.5") are provided in each foot for securing to base.

TO SPECIFY: Select MLB590M
 Choose:
 - Powdercoat Color

OPTIONS:
 - Center Arm (MCA590)
 - Personalization

COMPLEMENTARY PRODUCTS:
 - MLB590BM
 - MLWR550-32
 - MLAU550



DIMENSIONS:

Height: 32.6" (82.8 cm)
 Length: 70.00" (177.8 cm)
 Depth: 25.3" (64.3 cm)
 Seat: 17.50" (44.5 cm)
 Weight: 120lbs (55kg)

