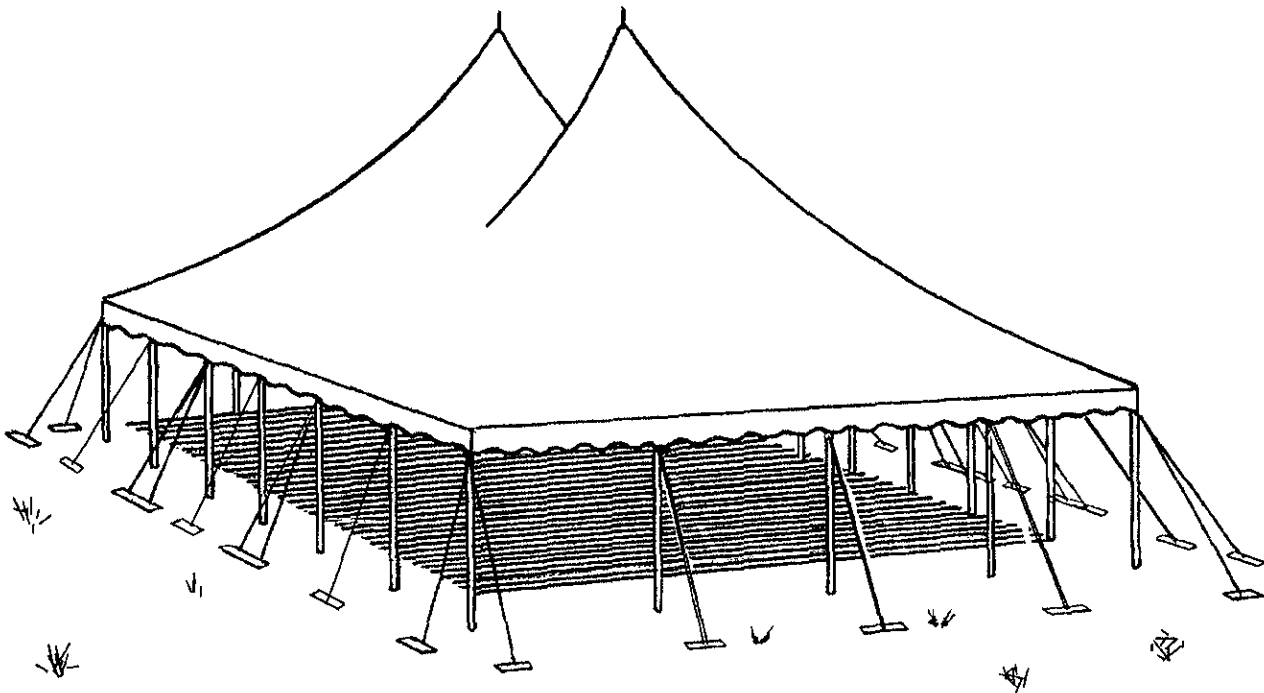


Assembly Instructions 40' Wide System

With Removable FX® Stripes

NEW CENTURY® TENT



Please read all assembly / installation instructions before the installation or removal of this product

SALES OFFICES:
1100 BURCH DRIVE
PO BOX 3477
EVANSVILLE, IN 47733 USA

PHONE: 812-867-2421
FAX: 812-867-0547
1-800-544-4445
EMAIL: tents@anchorinc.com
www.anchorinc.com

PRODUCTION FACILITIES:
EVANSVILLE, IN

PARTS	QUANTITY PER SECTION	
	ENDS (PAIR)	20' MIDDLE
BAG WITH SECTION	2	1
CENTER POLE	1	1
SIDE POLE	16	4
2' STAKE BAR	18	2
4' STAKE BAR	2	2
WINCH TOOL	1	-
42" DOUBLE HEAD STAKE	66*	18*
GUY WEB AND WINCH	22	6

MANPOWER REQUIRED

Four experienced installers should be able to assemble a 40' x 60' tent in approximately four hours.

TOOLS REQUIRED

Sledge Hammers
Stake Driver
2 Measuring Tapes

INSPECT SITE

CAUTION: Consult local utility company prior to installation. Prior to actual tent assembly, be sure to look up, down, above & below for obstacles, pipes, wires, trouble, etc.

LAYOUT & CHECK

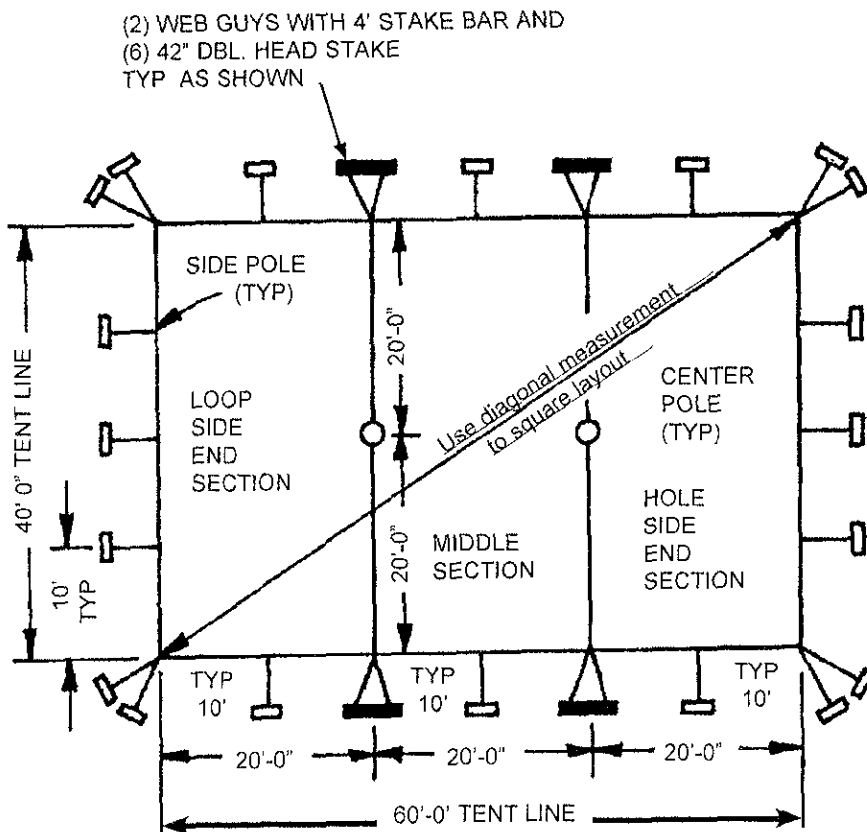
Utilize parts list for a quick I.D. and a check list to ensure that you have all the parts.

IMPORTANT:

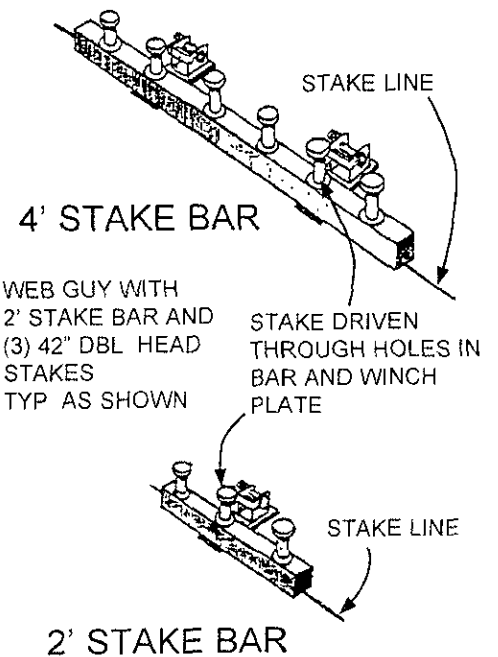
The requirements as specified with blue print (supplied by Anchor Industries Inc.) must be followed. Particular attention should be made to anchoring system.

1 WEB GUY LAYOUT
MARK LOCATION OF STAKES, SIDE POLES & CENTER POLES

* To find diagonal measurement: width² + length² = diagonal²



REQUIRED DISTANCE BETWEEN SIDE POLES AND STAKE LINES:
7' POLE STAKE OUT 5' 3"
8' POLE STAKE OUT 6' 0"
10' POLE STAKE OUT 7' 6"



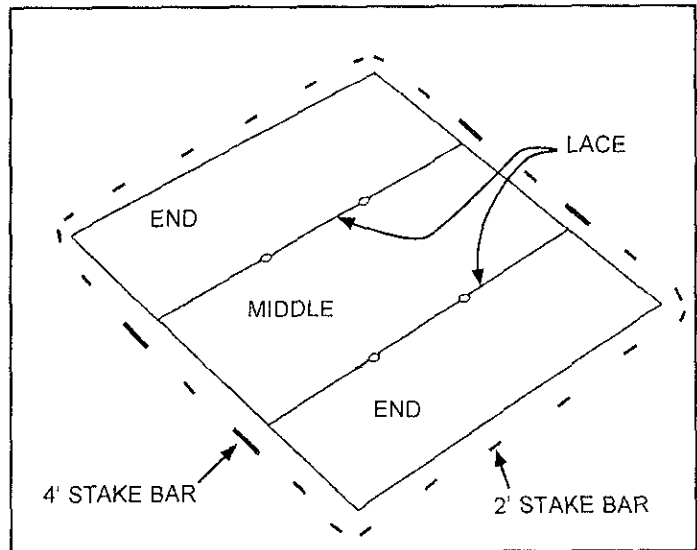
2 LAYOUT AT SITE

Drive stakes at points located. Each 2' stake bar requires 3 stakes. A 4' stake bar requires 6 stakes.

Spread drop cloths and unroll tent.

Any objects with sharp projections which must remain on site under the tent should be padded and taped.

NOTE: Both Loop side and hole side of sections are required for proper lace.



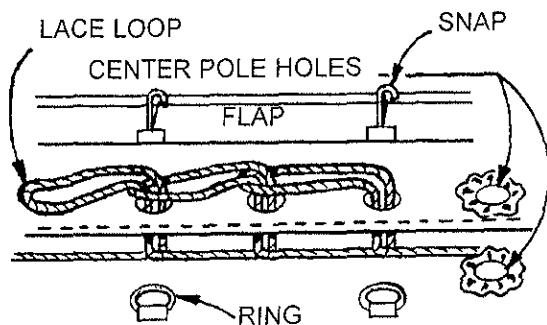
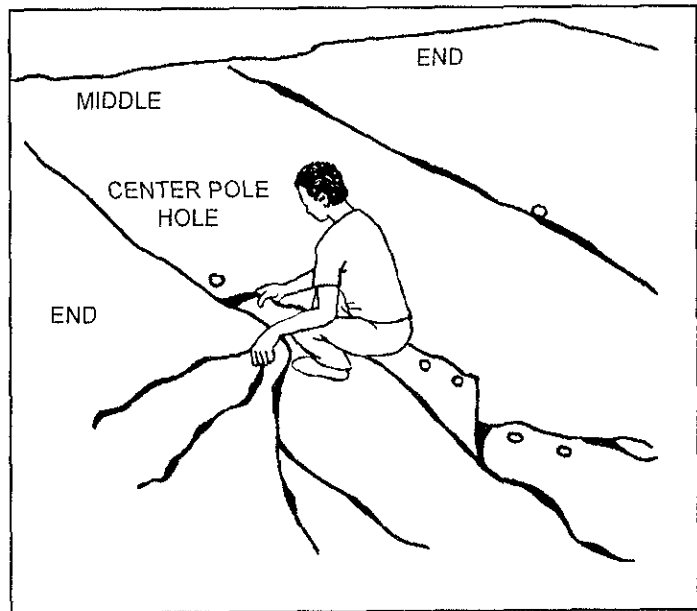
3 LACING INSTRUCTIONS

With tent sections on ground, overlap center pole holes with grommet side on top.

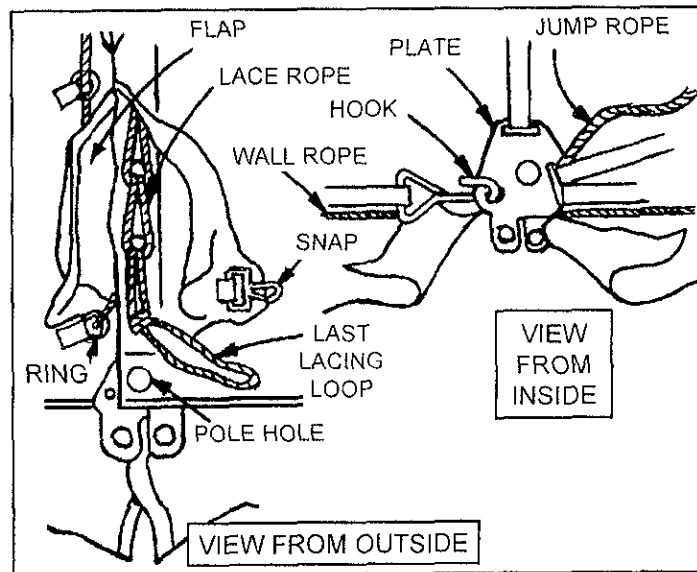
Lace between center pole holes first. Push first loop up through corresponding grommet. Continue, passing each loop through a grommet and the preceding loop.

Continue lacing process and cover lacing with protective rain flaps by velcroing the short flap first, then snapping the top flap to the rope as you move toward other center pole hole.

Tie off last long loop.

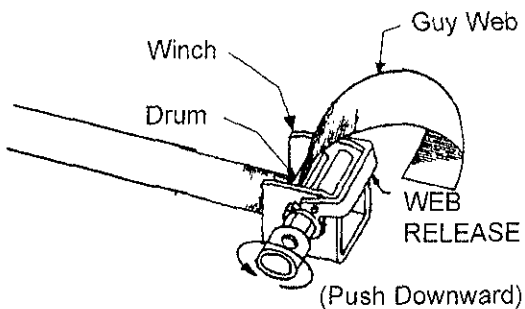


Then lace from center pole to eave on both sides of tent. Tie off last long loop. Align plates and attach hook to plates on inside of tent, as shown

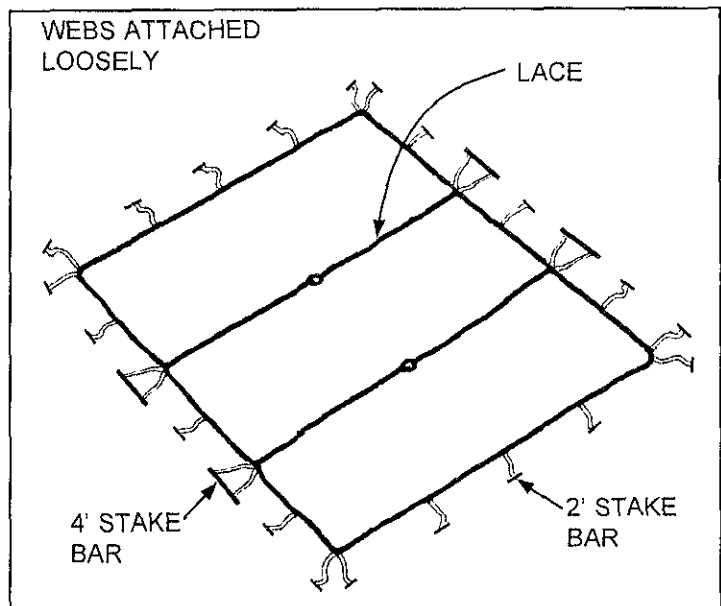


4 TIE DOWN AFTER LACING

After lacing and snapping sections, attach guys and insert loosely into tension winches



Insert guy web into slot in winch drum and rotate 1 1/2 to 2 times to secure web.



5 RAISE SIDE POLES

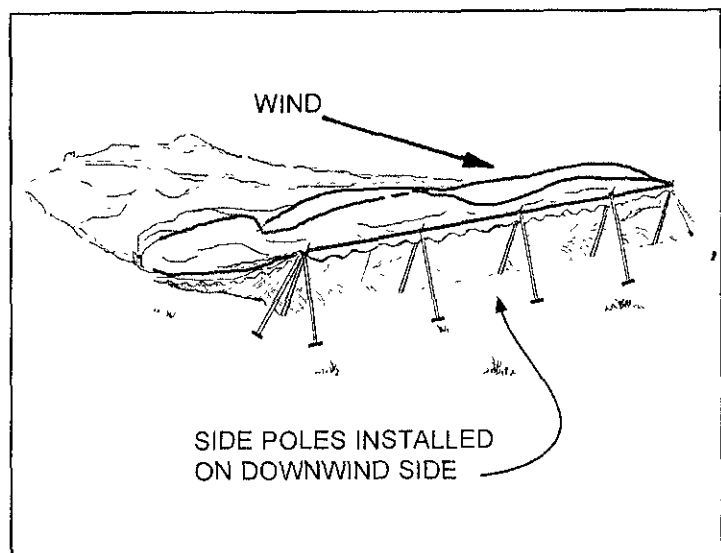
Start at downwind side. Insert each side pole pin into side pole hole and raise slightly less than perpendicular.

Bottom of each pole should be pointed inward toward center of tent.

Wall ropes should run outside of corner poles and side poles.

Tie jump rope around each side pole as it is inserted in pole hole.

Continue around tent.



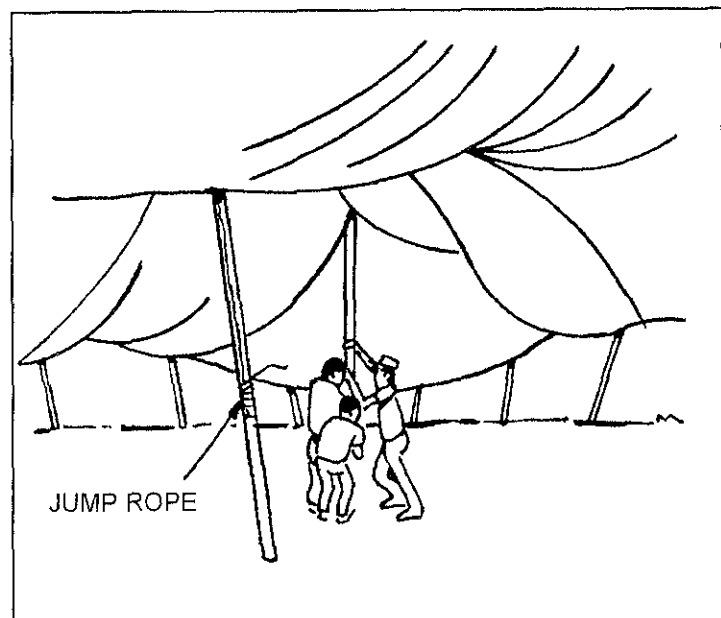
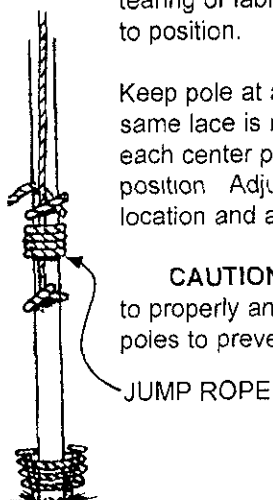
6 RAISE CENTER POLES

Raise center poles nearest to wind direction to approximate position.

One installer to guide center pole pin through hole to prevent snagging or tearing of fabric as pole is being raised to position.

Keep pole at a slant until other pole at the same lace is raised. Tie jump ropes as each center pole is placed in approximate position. Adjust bases of poles to exact location and align poles vertically.

CAUTION: At this point, it is required to properly anchor bases of all center poles to prevent movement



7 WINCH FOR TENSION

If the footprint of the tent has been laid out properly and the tent placed squarely within that footprint, the following tensioning sequence is recommended for the best overall appearance:

1. Tension webs at the lace lines first.
2. Tension webs at the corners.
3. Tension webs at the ends.
4. Tension webs at the middles last.

NOTE: If the tent is not square, or if center poles lean when laces are tensioned, reverse steps "1" and "2" above.

At each side pole, release winch tension and place bottom of side pole at the marked footprint eave line location.

Insert guy web into winch. Pull excess through winch. Tension, using winch bar. DO NOT USE EXTENDERS ON WINCH BAR TOOL.

CAUTION -- DO NOT OVER TENSION TENT BEYOND EAVE LINE. DO NOT PULL SIDE POLES OR CENTER POLES BEYOND VERTICAL POSITION.

8 FINAL SIDE POLE ADJUSTMENT

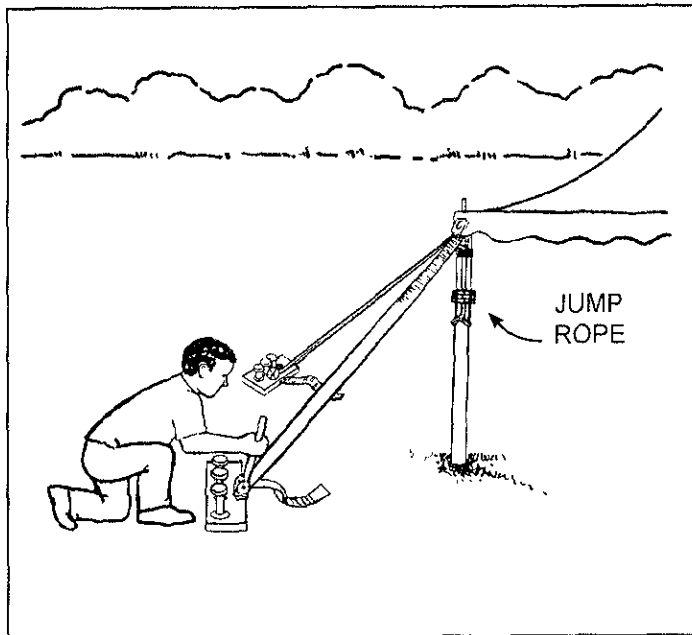
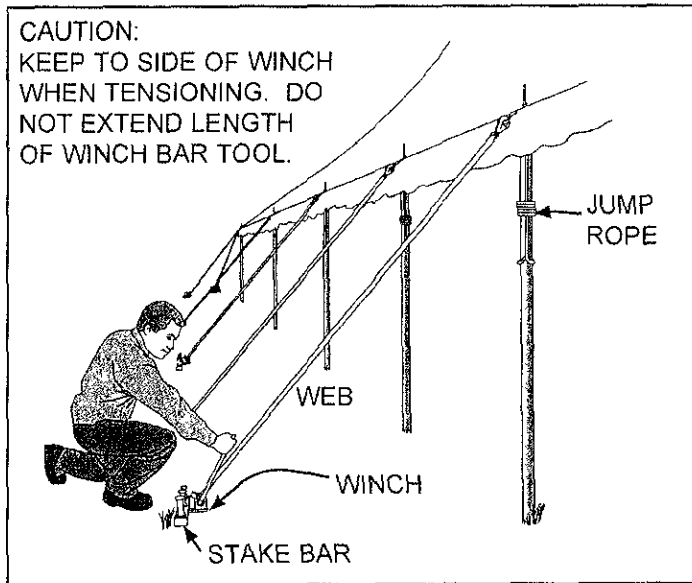
With side poles standing vertical and bases at the marked side pole footprint locations, ratchet webs to tension the top evenly.

Due to changes in climactic conditions, periodic inspection and adjustment should be made.

Protective covers are recommended for all stakes and stake bars.

9 TAKE DOWN USE EXTREME CAUTION REMOVING ALL POLES

1. Spread ground cover.
2. Release tension on all web winches.
3. Slant side poles inward
4. Remove center and side poles.
5. Reverse installation steps



IMPORTANT

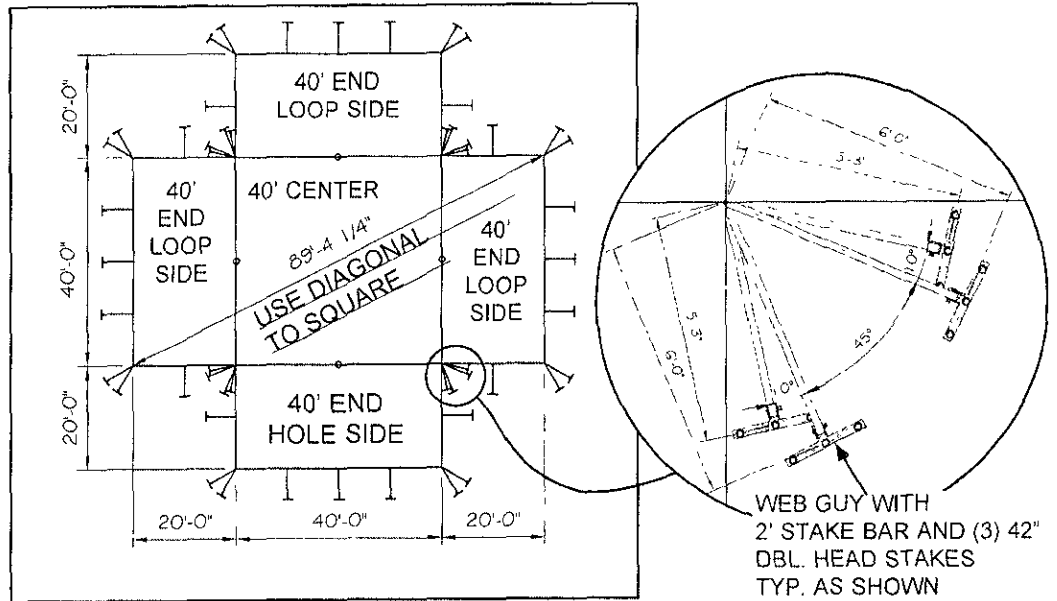
Check guys periodically for tightness and maintenance of good condition.

**SUPPLEMENTAL
INSTRUCTIONS FOR
TENTS WITH CENTER
SECTIONS**

USE WITH STEPS 1 THRU 8

1a MEASURE LAYOUT

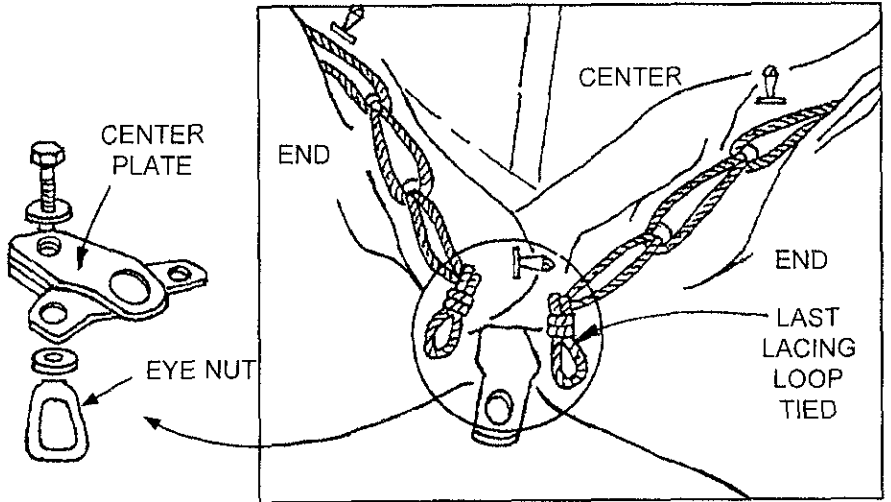
Mark location of stake line, tent line and center poles. (See page 1)



3a LACING INSTRUCTIONS

In addition to step #3 (see page 3), align plates and attach bolt, washers and eye nut.

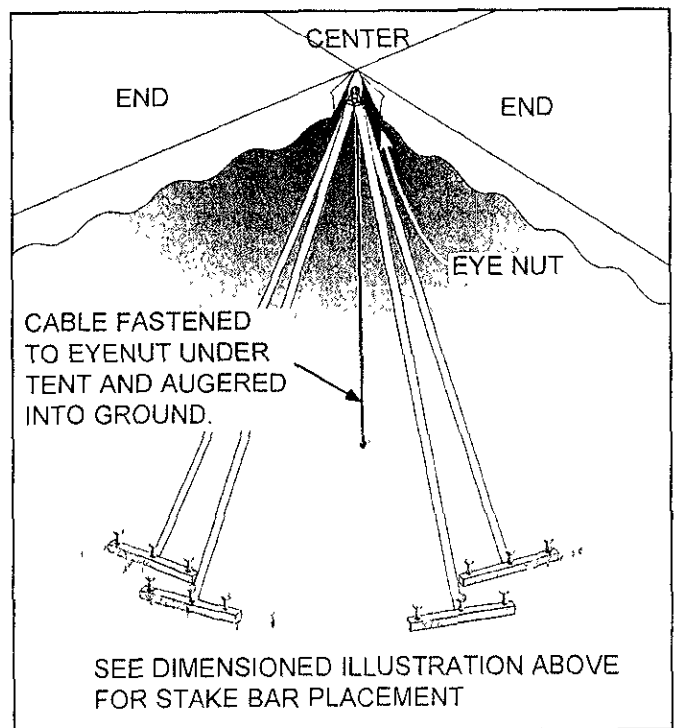
Hook is not used at this location. Use (4) web guys (center plate and eye nut) to tie off at this location.



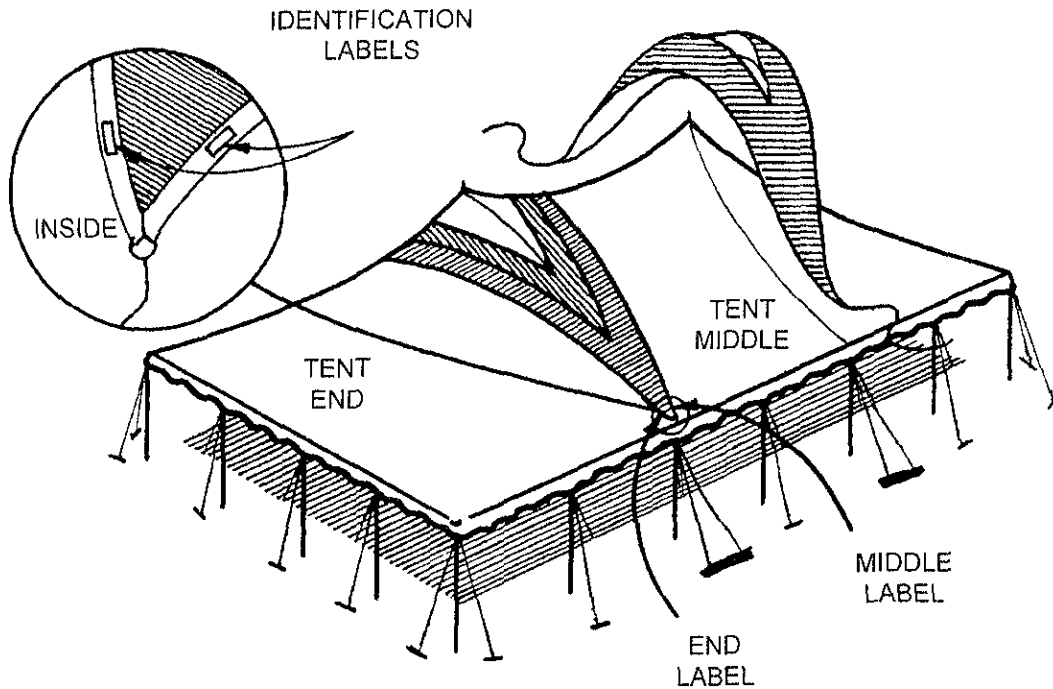
7a WINCH FOR TENSION

Use winches at center section lace where proper tension is needed for correct tie down and wrinkle free structure.

USE CAUTION WHEN OPERATING WINCH



Special FX® Stripes



1. Special FX® Stripes are set in place after tent sections are laced and ready to be raised. Determine the proper mating of stripes to tent by the identifying labels attached to the inside of each stripe at one end. Due to the unique cut of the tent sections, the correct stripe must be placed on the correct tent section to avoid an incorrect fit. Combinations of stripes available:
 - End to End
 - End to Middle
 - Middle to Middle
 - End to Center (Center is not shown above)
 - Middle to Center
2. Unfold and spread stripe over tent with stripes encircling center pole. Straighten fabric as much as possible.
3. Temporarily tie guy ropes on ends of stripes to lace eave plates with approximately 12" slack in each rope to prevent stripes from obstructing the raising of tent.
4. After tent is raised and fully tensioned, adjust position of stripes by pulling ropes from side to side.
5. Tension stripes to align with center and side poles, then tie guy rope to tent stake. Over tensioning will result in wrinkles. Guy rings at end of stripes should not be fastened to tent side pole pins.
6. Removal of stripes should be reverse of above steps.