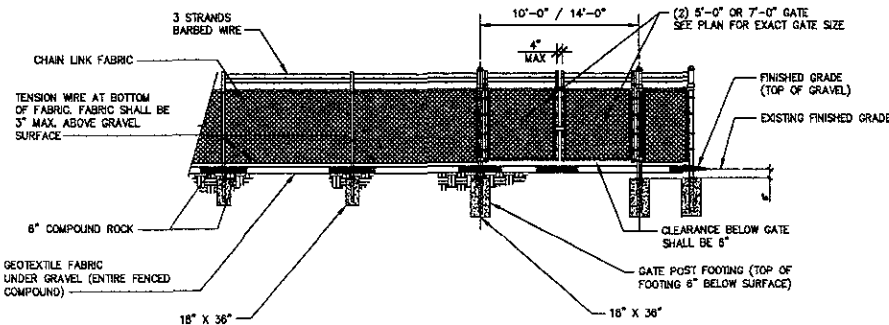
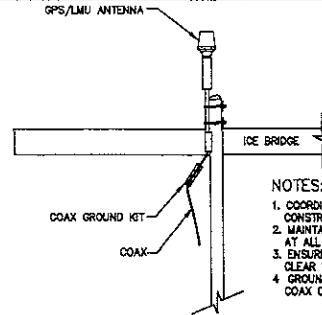


FENCING SCHEDULE			
4' HIGH GATE/FENCE		FOOTINGS	PIPE
LINE POST	1-7/8"	18"x36"	2" OD PIPE, SCHEDULE 40, ASTM A120
CORNER POST	3"	18"x36"	2-7/8" OD PIPE, SCHEDULE 40, (END, CORNER, AND PULL)
GATE POST	4"	18"x36"	2-7/8" (SWING GATES) OD PIPE, SCHEDULE 40, GATE OR LEAF OVER 6 FT. WIDE AND UP TO 11', 4" OD PIPE SCHEDULE 40
6' HIGH GATE/FENCE		FOOTINGS	PIPE
LINE POST	2-3/8"	18"x36"	2" OD PIPE, SCHEDULE 40, ASTM A120
CORNER POST	4"	18"x36"	2-7/8" OD PIPE, SCHEDULE 40, (END, CORNER, AND PULL)
GATE POST	4"	18"x36"	2-7/8" (SWING GATES) OD PIPE, SCHEDULE 40, GATE OR LEAF OVER 6 FT WIDE AND UP TO 11', 4" OD PIPE SCHEDULE 40
MATERIALS			
TOP RAIL	POST TOPS	FABRIC TIES	
1-5/8" OD, SCHEDULE 40	PRESSED STEEL, GALVANIZED	ALUMINUM BANDS OR WIRES	
FABRIC	RAIL COUPLINGS	STRETCHER BARS	
RESIDENTIAL FABRIC 9 GAUGE, 2" MESH, GALVANIZED ASTM A392, CLASS 1, TWISTED SELVAGE ON TOP, KNUCKLED SELVAGE ON BOTTOM	SLEEVE TYPE, 6 INCHES LONG	STEEL 3/16 BY 3/4", OR EQUIVALENT CROSS-SECTIONAL AREA	
GATE FRAMES	POST FOUNDATIONS	TENSION WIRE	
1-5/8" OD, SCHEDULE 40	18"ø, 36" DEPTH w/ TOP OF CONCRETE FLAT (NO DOME) AT 6" BELOW GROUND SURFACE	GALVANIZED OR ALUMINUM COATED COIL SPRING WIRE, 7 GAUGE	
SECURITY CHAIN	CORNER & GATE POST FOUNDATIONS	SWING GATES & FENCE CONSTRUCTION	
CONTRACTOR SHALL FURNISH 2' OF 1/4" GALVANIZED LINK CHAIN PER SITE	18"ø, 36" DEPTH w/ TOP OF CONCRETE FLAT (NO DOME) AT 6" BELOW GROUND SURFACE	FOR INSTRUCTIONS, SEE IOWA WIRELESS STANDARDS, CHAINLINK FENCE, SECTION 1040, NOS. 5.0 & 6.0	



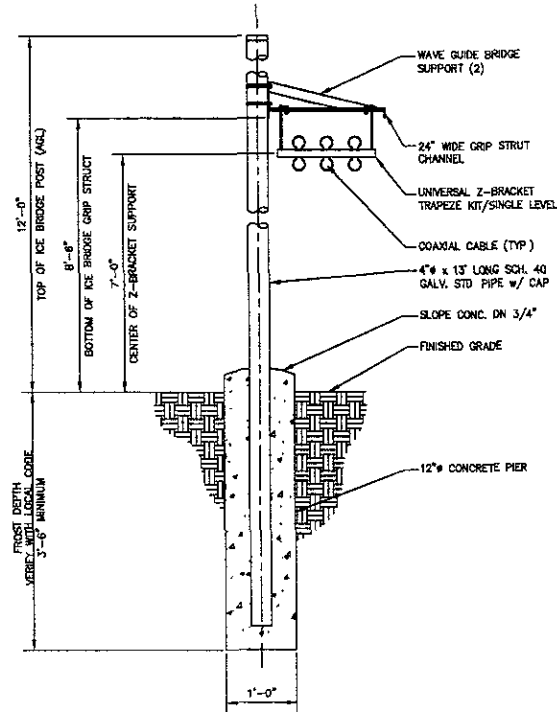
- GATE POSTS SHOWN ARE TO ILLUSTRATE HINGE ATTACHMENT. SEE WRITTEN SPECIFICATION FOR SIZE.
- MATERIALS TO BE GALVANIZED
- PROVIDE 2' LONG 1/4" GALVANIZED SECURITY CHAIN FOR ALL GATES

**1** COMPOUND FENCE AND DETAIL SCHEDULE  
SCALE: NONE



- NOTES:
- COORDINATE GPS ANTENNA LOCATION WITH CONSTRUCTION MANAGER.
  - MAINTAIN MINIMUM BEND RADIUS ON COAX CABLE AT ALL TIMES.
  - ENSURE LOCATION OF GPS ANTENNA ALLOWS FOR CLEAR VIEW OF SOUTHERN HORIZON.
  - GROUND GPS IN THE SAME FORMAT AS OTHER COAX CABLES.

**2** TYPICAL GPS ANTENNA MOUNTING DETAIL  
SCALE: N.T.S



**3** ICE BRIDGE DETAIL  
SCALE: NONE

**ASSOCIATED ENGINEERING, INC**  
 2705 N. MAIN STREET  
 OMAHA, NE 68122  
 PH: (402) 289-5040  
 FAX: (402) 289-5045  
 AE INC PROJECT #2408

I HEREBY CERTIFY THAT THIS ENGINEERING DOCUMENT WAS PREPARED BY ME OR UNDER MY DIRECT PERSONAL SUPERVISION AND THAT I AM A duly LICENSED PROFESSIONAL ENGINEER UNDER THE LAWS OF THE STATE OF SOUTH DAKOTA.

Tom Medhi Date  
 BY LICENSE REISSUED DATE IS JAN. 31, 2011

**REGISTERED PROFESSIONAL ENGINEER**  
 REG. NO. 8488  
 TOM MEDHI  
 SOUTH DAKOTA

PROJECT MANAGER  
 i wireless  
 1122 N.W. UNIVERSITY BLVD  
 OMAHA, NE 68102

APPLICANT/OWNER  
 SWS, LLC

DRAWN BY: CHK BY: APV BY:  
 BTH/DHF/EQ TM TM

SITE NAME: PRIVATE STOCK  
 WIRELESS SITE NUMBER: SD0259

SUBMITTALS:

D	04/03/09	ZONING COMMENTS
D	03/26/09	ZONING COMMENTS
D	03/24/09	CLIENT COMMENTS
D	03/11/09	FLAG POLE
D	03/10/09	CLIENT COMMENTS
D	02/23/09	LEASE LOCATION
REV	DATE	DESCRIPTION

DRAWING TITLE: FENCE AND ICE BRIDGE DETAILS

DRAWING NUMBER: C-5  
 JOB NUMBER: XXXX