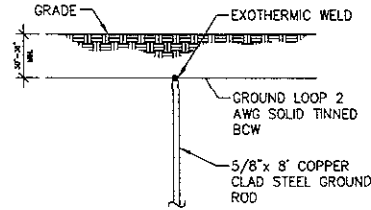
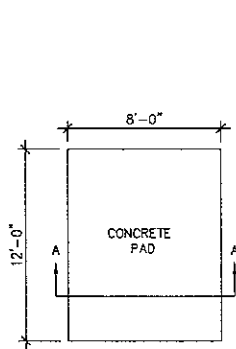


NOTE
 1. SEPARATION DIMENSION TO BE VERIFIED WITH LOCAL UTILITY COMPANY REQUIREMENTS.
 2. PULL STRINGS SHALL BE INSTALLED IN CONDUITS.

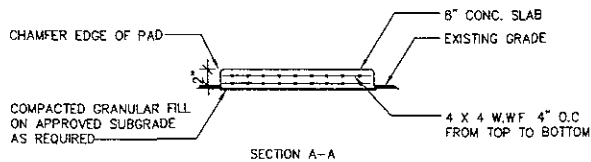
5 JOINT TRENCH ELECTRIC/TELEPHONE

SCALE: NONE



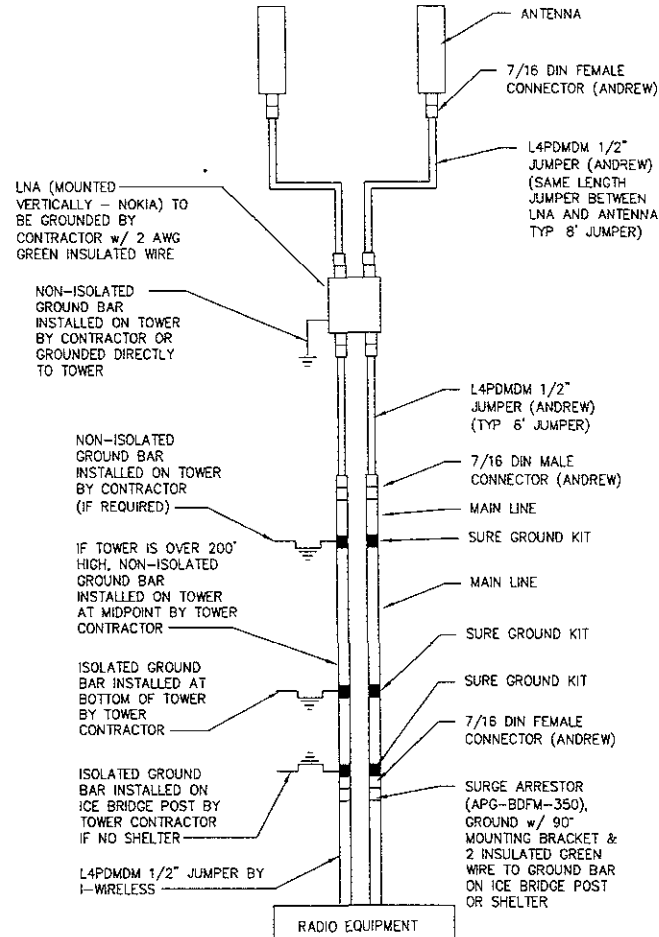
3 GROUND ROD

SCALE: NONE



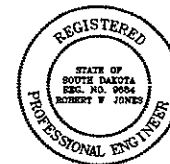
6 CONCRETE EQUIPMENT PAD AND DETAIL

NOT TO SCALE



4 ANTENNA CABLE AND GROUNDING SCHEMATIC

SCALE: NONE



OWNER
SWS INC.
 180 WASH. ST. DR.
 P.O. BOX 68
 WARRAND, SD 57702

PROJECT MANAGER
i wireless
 4135 N.W. URBANDALE DRIVE
 URBANDALE, IA 50222

TRANSMISSION

SD0249

DATE: 03/27/08

NO.	DATE	DESCRIPTION
Δ	3/31/08	CLIENT COMMENTS
Δ	5/22/08	ADD SCALE
Δ	09/03/08	1ST SUBMITTAL
Δ	09/26/08	2nd SUBMITTAL
Δ	09/25/08	3RD SUBMITTAL
Δ	10/20/08	4TH SUBMITTAL
Δ	01/05/09	5TH SUBMITTAL
Δ	01/06/09	6TH SUBMITTAL

**M A A S
 & S O N**

3000 41ST STREET
 WOLFE, IA 51083
 309-764-7600

THIS DRAWING IS COPYRIGHTED AND IS THE SOLE PROPERTY OF THE OWNER. IT IS PROVIDED SOLELY FOR USE BY THE OWNER AND ITS AFFILIATES. REPRODUCTION OR USE OF THIS DRAWING AND/OR THE INFORMATION CONTAINED IN IT IS FORBIDDEN WITHOUT THE WRITTEN PERMISSION OF THE OWNER.

MAAS & SON PROJECT NUMBER
108315

SITE TYPE
COLD MONOPOLE TOWER

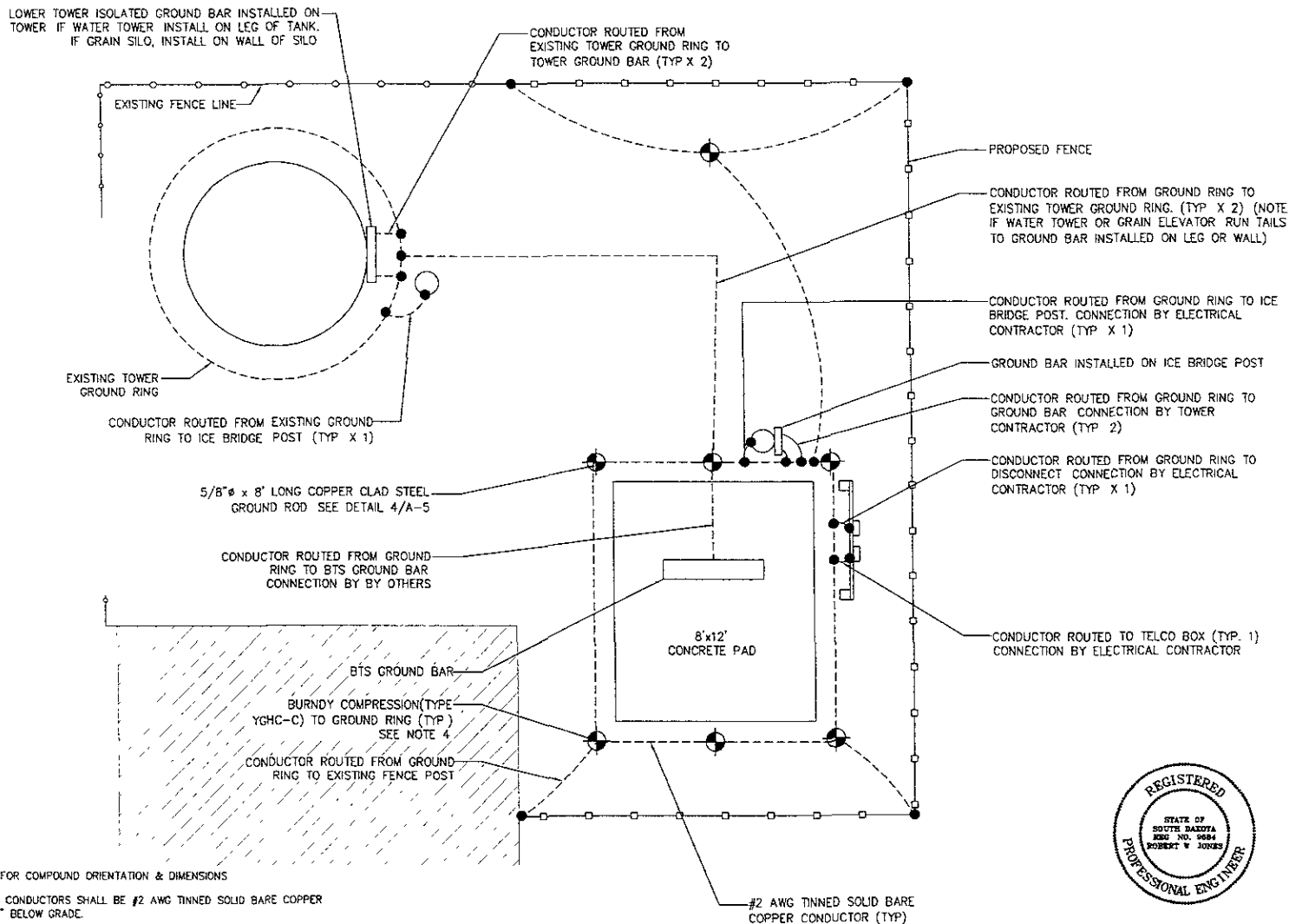
SITE NUMBER
SD0249

SITE ADDRESS
**630 FARNWOOD AVE.
 RAPID CITY, SD 57701**

SITE DETAILS

SITE NUMBER

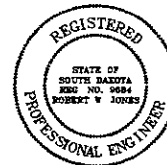
A-5



NOTES

- 1 SEE SITE PLAN FOR COMPOUND ORIENTATION & DIMENSIONS
- 2 ALL GROUNDING CONDUCTORS SHALL BE #2 AWG TINNED SOLID BARE COPPER INSTALLED 30"-36" BELOW GRADE.
- 3 COAXIAL GROUND KITS SHALL BE INSTALLED IN A PROFESSIONAL MANNER FOR APPEARANCE & MAXIMUM WATER SHED
- 4 BURNDY Y750 COMPRESSION TOOL IS TO BE USED OR AN EQUIVALENT
- 5 CADWELDS TO BE USED AT (4) FENCE POSTS AND (2) GATE POSTS.
- 6 CADWELDS TO TOWERS SHALL BE MADE ON HORIZONTAL BASE PLATES ONLY

1 COMPOUND GROUNDING PLAN (COLOCATE W/ OUTDOOR EQUIPMENT)
SCALE: NTS



OWNER
SWS LLC.
180 WASH ST. STE. 100
P.O. BOX 68
RAPID CITY, SD 57702

PROJECT MANAGER
i wireless
415 N.W. IRVINGDALE DRIVE
IRVINGDALE, IA 50222

TRANSMISSION
SD0249

DATE 03/27/08

NO.	DATE	DESCRIPTION
▲	3/31/08	CLIENT COMMENTS
▲	5/22/08	ADD SCALE
▲	09/03/08	1ST SUBMITTAL
▲	09/29/08	2nd SUBMITTAL
▲	09/25/08	3RD SUBMITTAL
▲	10/20/08	4TH SUBMITTAL
▲	01/05/09	5TH SUBMITTAL
▲	01/06/09	6TH SUBMITTAL

M A A S & SON

3200 41ST STREET
WOLFE, LA 71255
504-764-7800

THIS DRAWING IS COPYRIGHTED AND IS THE SOLE PROPERTY OF THE OWNER. IT IS PRODUCED SOLELY FOR USE BY THE OWNER AND ITS AFFILIATES. REPRODUCTION OR USE OF THIS DRAWING AND/OR THE INFORMATION CONTAINED IN IT IS FORBIDDEN WITHOUT THE WRITTEN PERMISSION OF THE OWNER.

ROAD AND BOX POSTALITY NUMBER
108315

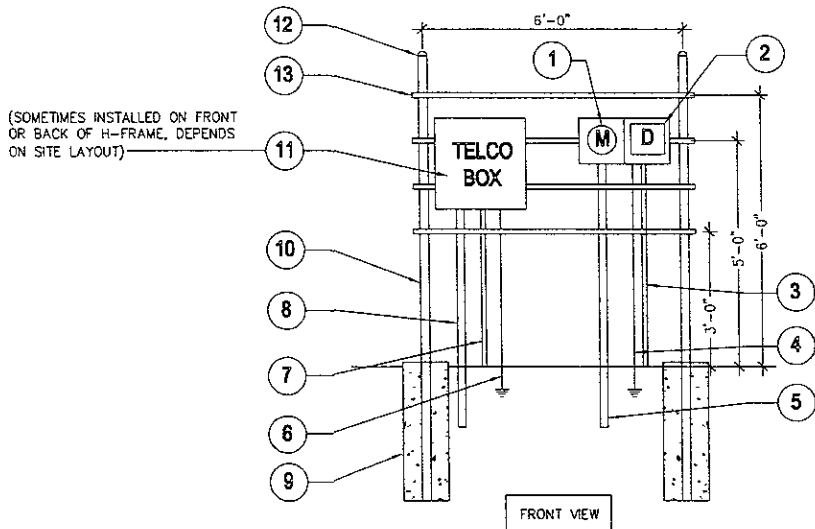
SITE TYPE
COLD MONOPOLE TOWER

SITE NUMBER
SD0249

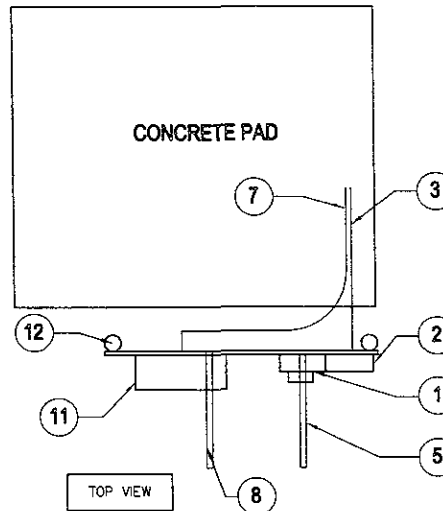
SITE ADDRESS
**630 FARNWOOD AVE.
RAPID CITY, SD 57701**

SHEET TITLE
GROUNDING PLAN

SHEET NUMBER

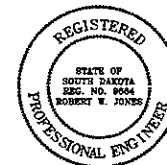


(SOMETIMES INSTALLED ON FRONT OR BACK OF H-FRAME, DEPENDS ON SITE LAYOUT)



- ① 200A METER SOCKET, FURNISHED AND INSTALLED BY ELECTRICAL CONTRACTOR
- ② 100A NEMA 3R FUSED DISCONNECT, FURNISHED AND INSTALLED BY ELECTRICAL CONTRACTOR
- ③ 2" PVC, FURNISHED AND INSTALLED BY ELECTRICAL CONTRACTOR FROM DISCONNECT TO BTS POWER CABINET
- ④ 2 AWG SOLID TINNED BCW TO GROUND RING THRU 3/4" FLEX CONDUIT SEALED WITH SILICONE 12" AGL BONDED TO DISCONNECT
- ⑤ ELECTRIC 2" PVC SERVICE ENTRANCE FROM DEMARCATION w/ (3) 2 AWG CU. w/ PULL STRING, CAP DO NOT GLUE: **DO NOT ROUTE CONDUIT UNDER CONCRETE PAD**
- ⑥ 2 AWG SOLID TINNED BCW TO GROUND RING THRU 3/4" FLEX CONDUIT SEALED WITH SILICONE 12" AGL BONDED TO TELCO GROUND BAR
- ⑦ 2" PVC FURNISHED AND INSTALLED BY ELECTRICAL CONTRACTOR FROM TELCO CABINET TO BTS
- ⑧ TELCO 2" PVC SERVICE ENTRANCE FROM DEMARCATION POINT BY CIVIL CONTRACTOR, W/ PULL STRING, CAP DO NOT GLUE, **DO NOT ROUTE CONDUIT UNDER CONCRETE PAD**
- ⑨ 12" CONCRETE PIER W/ 3'-6" DEPTH MIN (TYP 2)
- ⑩ 3" PIPE, EMBEDDED 3'-0" INTO PIER (MIN)
- ⑪ TELCO BOX ENCLOSURE, FURNISHED BY OWNER INSTALLED BY ELECTRICAL CONTRACTOR
- ⑫ (2) 3" GALVANIZED SUPPORT POST W/ CAP
- ⑬ UNISTRUT W/ 1/2" U-BOLTS

① METAL H-FRAME, SINGLE METER SETTING, NO MW, NO TOWER LIGHTING
SCALE NONE



OWNER
SWS LLC.
180 HAZARD STR. SW.
P.O. BOX 205
SCOTSDALE, SD 57086

PROJECT MANAGER
i wireless
4134 N.W. URBANDALE DRIVE
URBANDALE, IA 50222

TRANSMISSION

SD0249

DATE: 03/27/08

NO	DATE	DESCRIPTION
△	3/31/08	CLIENT COMMENTS
△	5/22/08	ADD SCALE
△	09/03/08	1ST SUBMITTAL
△	09/20/08	2nd SUBMITTAL
△	09/25/08	3RD SUBMITTAL
△	10/20/08	4TH SUBMITTAL
△	01/05/09	5TH SUBMITTAL
△	01/06/09	6TH SUBMITTAL



3000 41ST STREET
MOLINE, IL 61201
309-766-7800
THIS DRAWING IS COPYRIGHTED AND IS THE SOLE PROPERTY OF THE OWNER. IT IS PRODUCED SOLELY FOR USE BY THE OWNER AND ITS AFFILIATES. REPRODUCTION OR USE OF THIS DRAWING AND/OR THE INFORMATION CONTAINED IN IT IS FORBIDDEN WITHOUT THE WRITTEN PERMISSION OF THE OWNER.

BRAND NAME CODE PROFESSIONAL DRAWING

108315

SHEET TITLE

GOLO MONOPOLE TOWER

SHEET NUMBER

SD0249

SHEET ADDRESS

630 FARNWOOD AVE.
RAPID CITY, SD 57701

SHEET TITLE

**METAL H-FRAME
DETAILS**

SHEET NUMBER

E-2