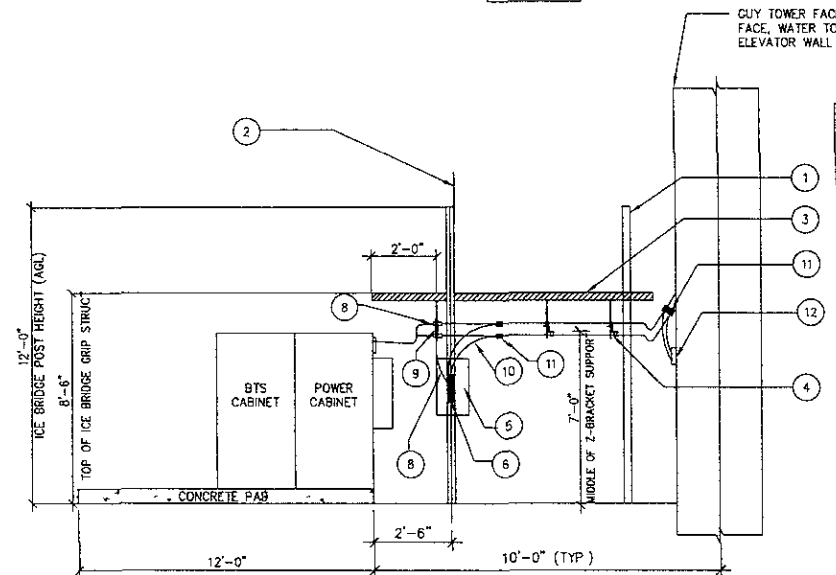


OUTDOOR EQUIPMENT SITE
 TOP OF ICE BRIDGE 12'-0" AGL
 COAX Z-BRACKETS 7'-0" AGL

METAL H-FRAME SEE DETAIL 1/E-2

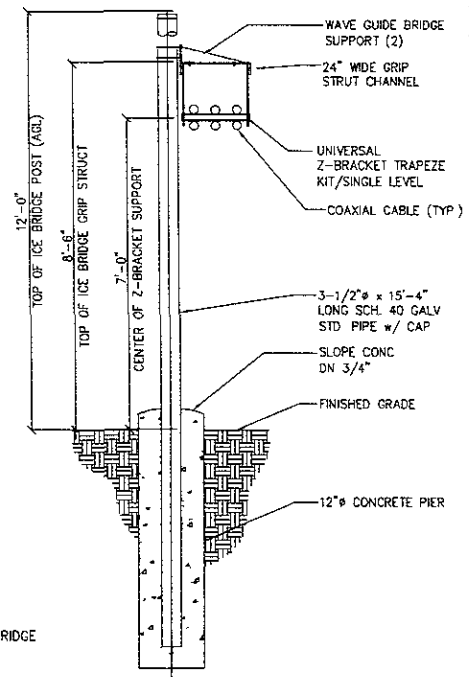
TOP VIEW



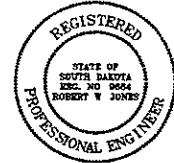
TYPICAL LAYOUT - SEE
 COMPOUND PLAN FOR EXACT
 EQUIPMENT LAYOUT

- 1 ICE BRIDGE POST (TYP 2)
- 2 LMU ANTENNA (GPS), IF APPLICABLE PER SCOPE OF WORK
- 3 24" WIDE, GRATED ICE BRIDGE, FIELD CUT TO REQ'D LENGTH, CUT END EVEN WITH BTS/EDGE OF CONCRETE PAD
- 4 COAX SUPPORT BRACKET, UNIVERSAL Z-BRACKET/SINGLE LEVEL
- 5 OUTDOOR MW DEHYDRATOR, IF APPLICABLE PER SCOPE OF WORK INSTALL ON OUTSIDE OF ICE BRIDGE POST, 5' AGL
- 6 ISOLATED GROUND BAR INSTALLED VERTICALLY ON ICE BRIDGE POST
- 7 CONNECTORS TO BE COVERED BY ICE BRIDGE
- 8 GROUND LEAD TO ITEM GROUND BAR (TYP 2 / #2 GREEN)
- 9 ARRESTOR TRAPEZE KIT (AT-k306-U)
- 10 GROUND LEAD TO ITEM GROUND BAR (TYP 1/COAX)
- 11 COAX GROUND KIT
- 12 GROUND BUSS BAR

1 OUTDOOR EQUIPMENT/ICE BRIDGE ELEVATION (OUTDOOR) - TYPICAL
 SCALE: NONE



2 ICE BRIDGE DETAIL
 SCALE: NONE



OWNER
SWS INC.
 180 DASH HWY. OFF.
 P.O. BOX 48
 KENDALL, SD 57088

PROJECT MANAGER

 4155 N.W. URBANDALE DRIVE
 URBANDALE, IA 50222

TRANSMISSION

SD0249

DATE: 03/27/08

NO	DATE	DESCRIPTION
▲	3/31/08	CLIENT COMMENTS
▲	5/22/08	ADD SCALE
▲	09/03/08	1ST SUBMITTAL
▲	09/20/08	2nd SUBMITTAL
▲	09/25/08	3RD SUBMITTAL
▲	10/20/08	4TH SUBMITTAL
▲	01/05/09	5TH SUBMITTAL
▲	01/05/09	6TH SUBMITTAL

M A A S & SON

3000 41ST STREET
 WOUNDEE, S.D. 57253
 305-764-7880

THIS DRAWING IS COPYRIGHTED AND IS THE SOLE PROPERTY OF THE OWNER. IT IS PRODUCED SOLELY FOR USE BY THE OWNER AND ITS AFFILIATES. REPRODUCTION OR USE OF THIS DRAWING AND/OR THE INFORMATION CONTAINED IN IT IS FORBIDDEN WITHOUT THE WRITTEN PERMISSION OF THE OWNER.

BRASS ASSET BOARD (OPTIONAL)

108315

SFPA TYPE

GOLD MONOPOLE TOWER

SITE NUMBER
 SD0249

SITE ADDRESS
 630 FARNWOOD AVE.
 RAPID CITY, SD 57701

SHEET TITLE
OUTDOOR EQUIPMENT ICE BRIDGE DETAIL

SHEET NUMBER

A-4