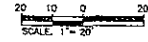
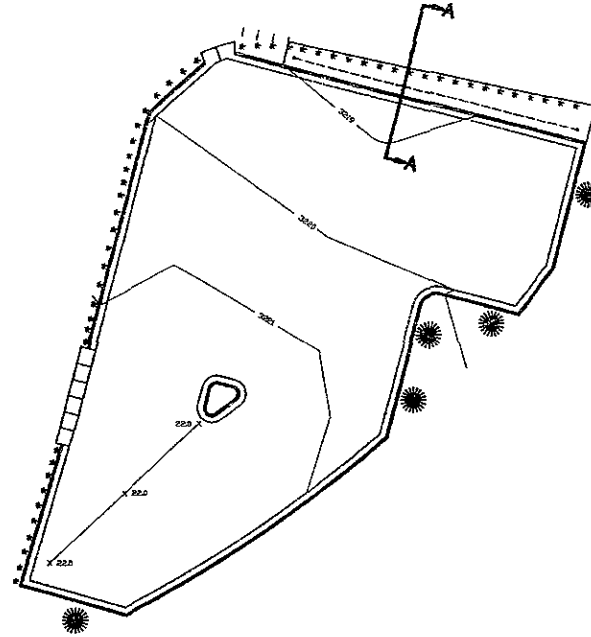


LANDSCAPE REQUIREMENTS

LOT AREA = 22,817 SF
 BLDG AREA = 63 SF
 LANDSCAPE POINTS REQUIRED = 22,554

8 EVERGREEN TREES @ 2000 EA = 10,000
 83 SHRUBS @ 250 EA = 13,250
 LANDSCAPE POINTS PROVIDED = 23,250



CITY of RAPID CITY
 PUBLIC WORKS DEPARTMENT



Scale: 1" = 20'
 Designed By: ERM/ST
 RUC: MJP
 Design Date: Final Date
 Submittal Date: 1/17/17
 Submitted By: ERM/ST
 Reviewed By: ERM/ST

5th STREET PARKING

GRADING
 AND
 LANDSCAPING