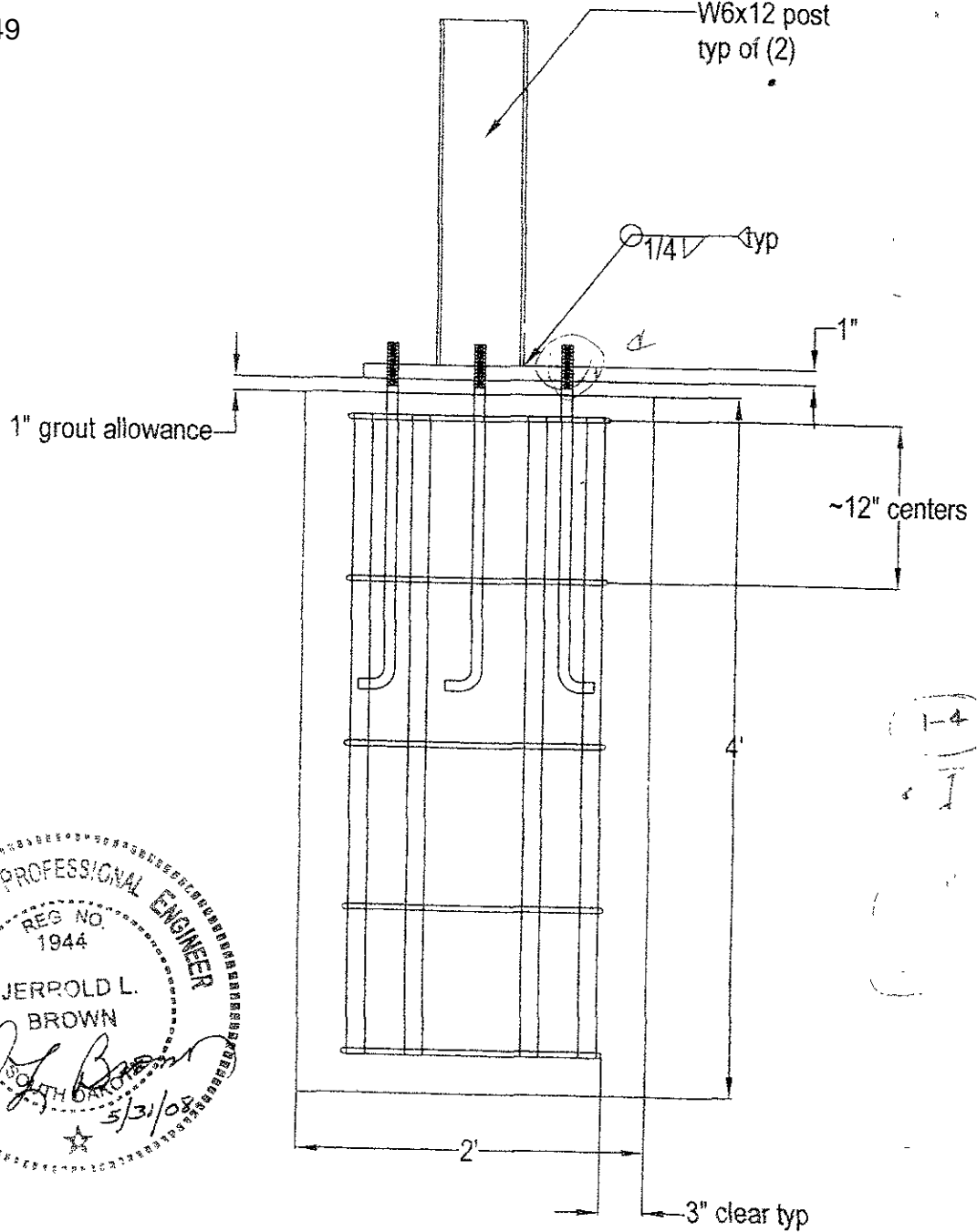


08SR049



REGISTERED PROFESSIONAL ENGINEER
 REG. NO. 1944
 JERROLD L. BROWN
 SOUTH DAKOTA
 5/31/08

Jerrold L. Brown

RECEIVED

JUN 1 2008

Rapid City Growth Management Department

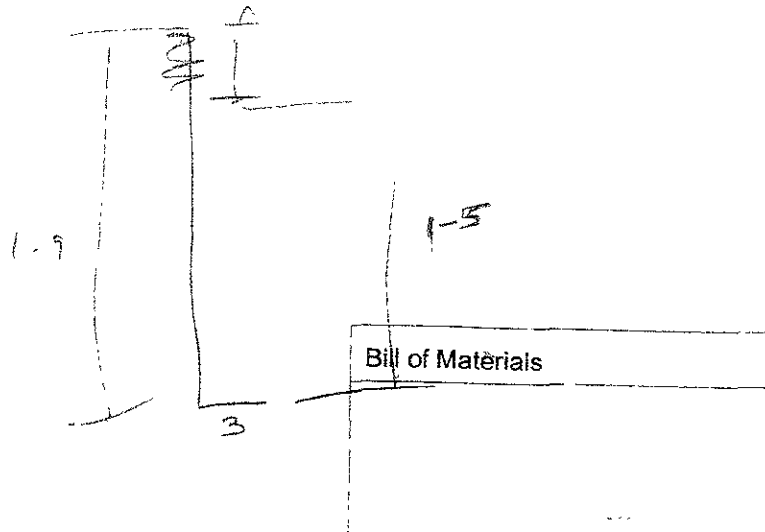
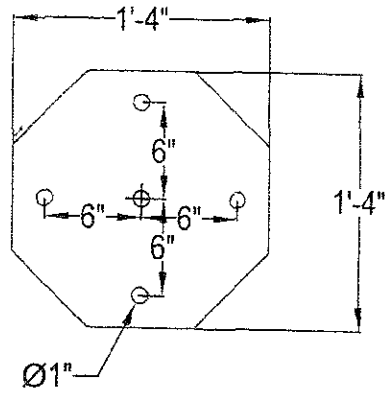
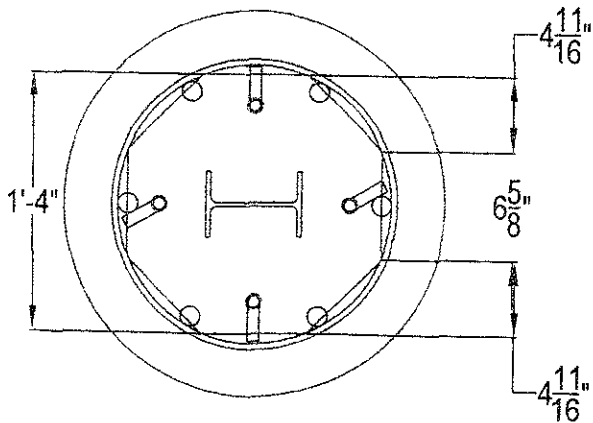
Notes:

JD Sign Post

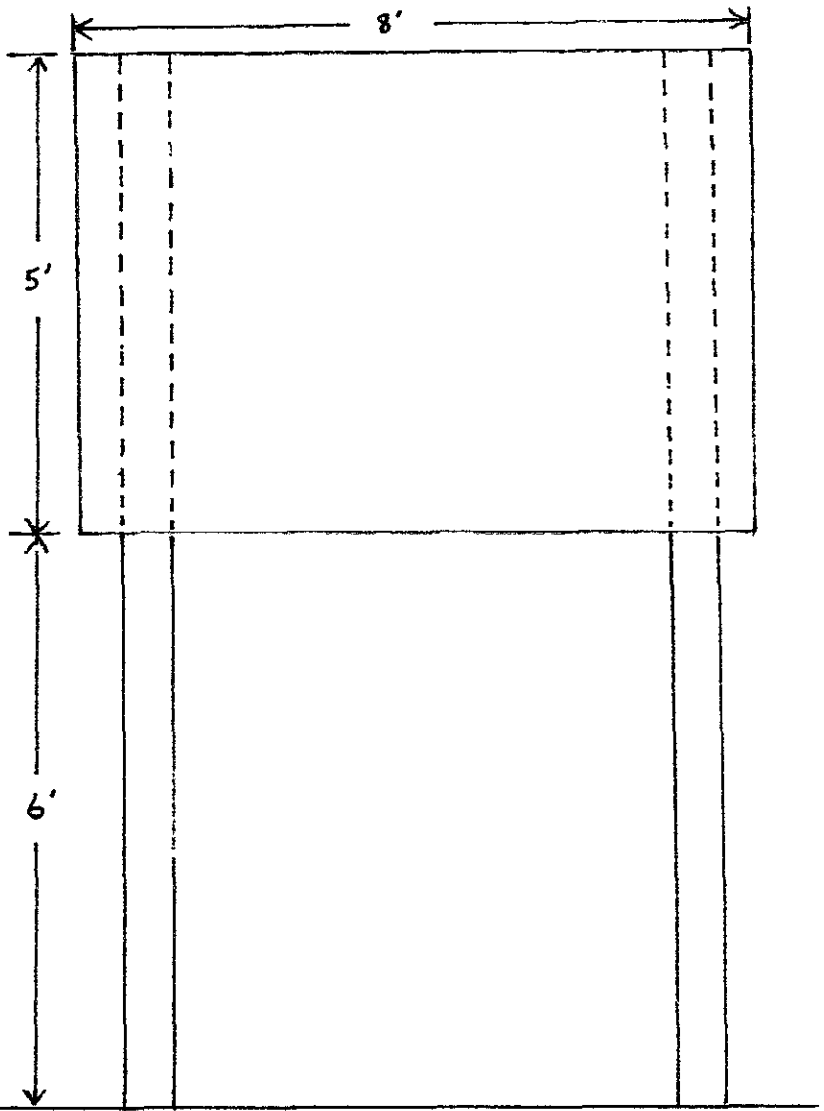
Scale: 1:12
Date: 05/05/2008

JUN 11 2008

RECEIVED



08SR049



REPID CITY GROWTH
MANAGEMENT DEPARTMENT

JUN 21 2008

TECHNICAL

Ground Line

Parkview Sign NTS