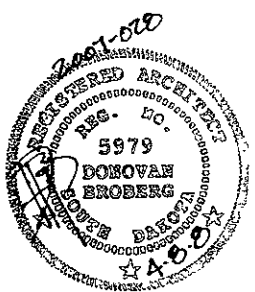
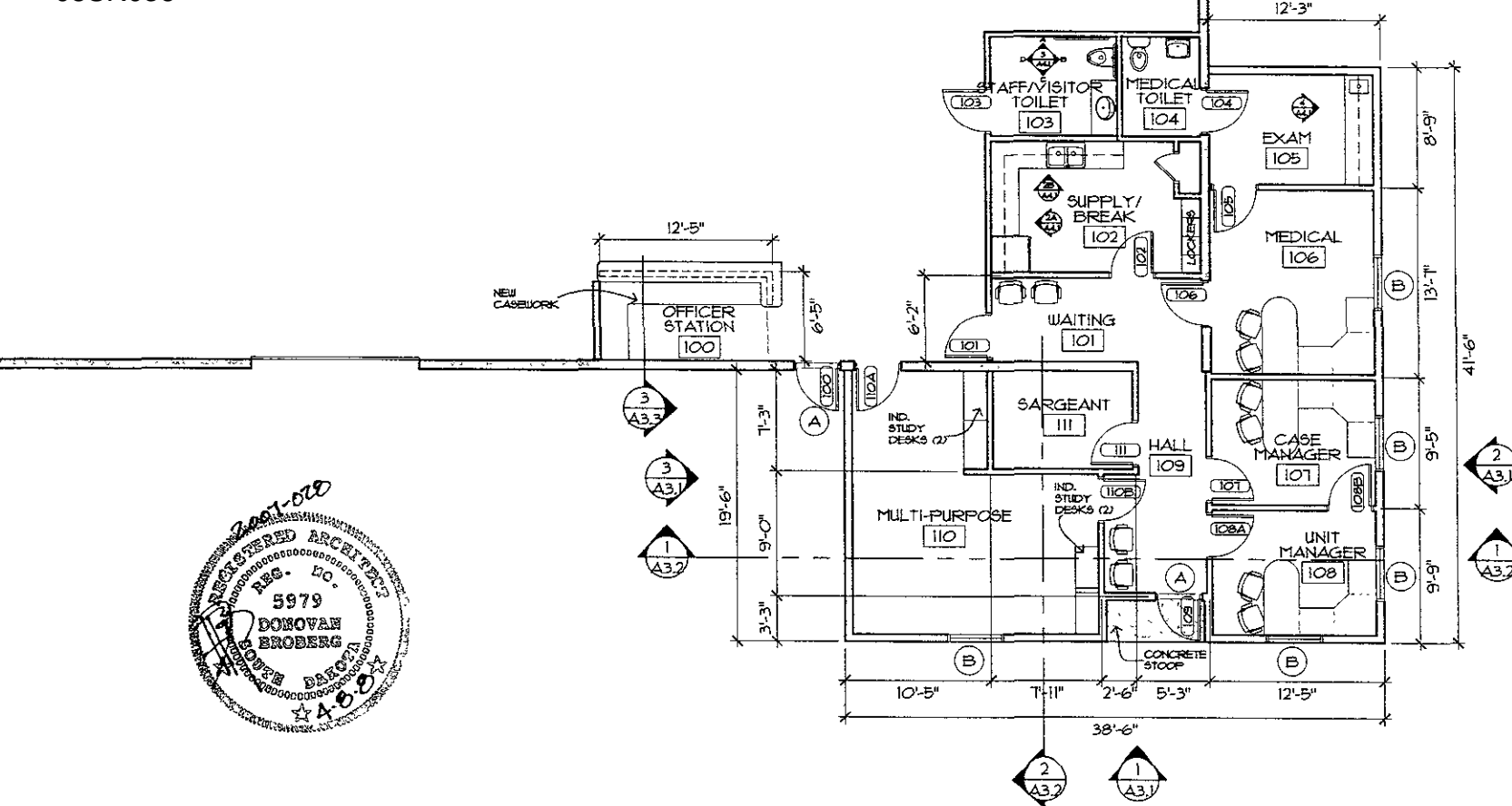


ROOM #	FLOORING	BASE	WALLS				CEILING	REMARKS
			NORTH	EAST	SOUTH	WEST		
100 OFFICER STATION	CARPET	VINYL		CASEWORK			EXPOSED	
101 WAITING	VCT	VINYL	PT	PT	PT	PT	EXISTING	
102 SUPPLY/BREAK	VCT	VINYL	PT	PT	PT	PT	EXISTING	
103 STAFF/VISITOR TOILET	CT	CT	CT/PT	CT/PT	CT/PT	CT/PT	EXISTING	
104 MEDICAL TOILET	EXISTING	EXISTING	EXISTING				EXISTING	EXISTING TO REMAIN
105 EXAM	VCT	VINYL	PT	PT	PT	PT	APC	
106 MEDICAL	VCT	VINYL	PT	PT	PT	PT	APC	
107 CASE MANAGER	CPT	VINYL	PT	PT	PT	PT	APC	
108 UNIT MANAGER	CPT	VINYL	PT	PT	PT	PT	APC	
109 HALL	VCT	VINYL	PT	PT	PT	PT	APC	
110 MULTI-PURPOSE	CPT	VINYL	PT	PT	PT	PT	APC	
111 SARGEANT	CPT	VINYL	PT	PT	PT	PT	APC	

08SR036



DATE APRIL 25, 2008
 PROJECT MANAGER DONOVAN BROBERG
 PROJECT NUMBER 2007-028
 REVISIONS

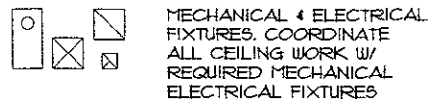
SD DOC TRUSTEE
 RAPID CITY SOUTH DAKOTA
 FLOOR PLAN

1 FLOOR PLAN
 1/8"=1'-0"
 NORTH

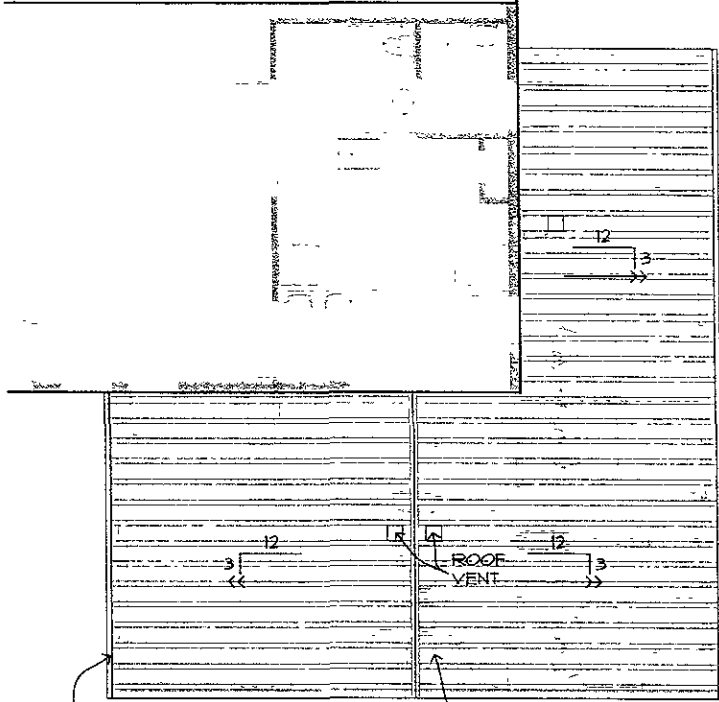
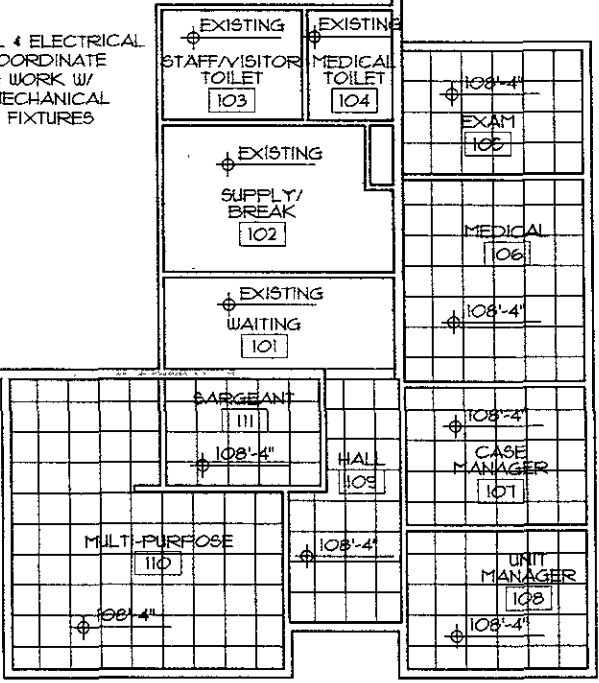
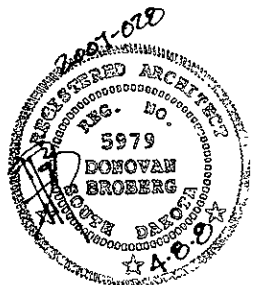
A2.1



⊕ CEILING HEIGHT



OFFICER STATION 100



GUTTER (FIELD LOCATE DOWN SPOUT)

METAL ROOFING PANEL

GUTTER (FIELD LOCATE DOWN SPOUT)

DATE: APRIL 25 2008
 PROJECT MANAGER: DONOVAN BROBERG
 PROJECT NUMBER: 2007-028
 REVISIONS:

SD DOC TRUSTEE
 RAPID CITY SOUTH DAKOTA
 REFLECTED CEILING & ROOF PLANS

1 REFLECTED CEILING PLAN NORTH
 A2.2 1/8"=1'-0"

2 ROOF PLAN NORTH
 A2.2 1/8"=1'-0"