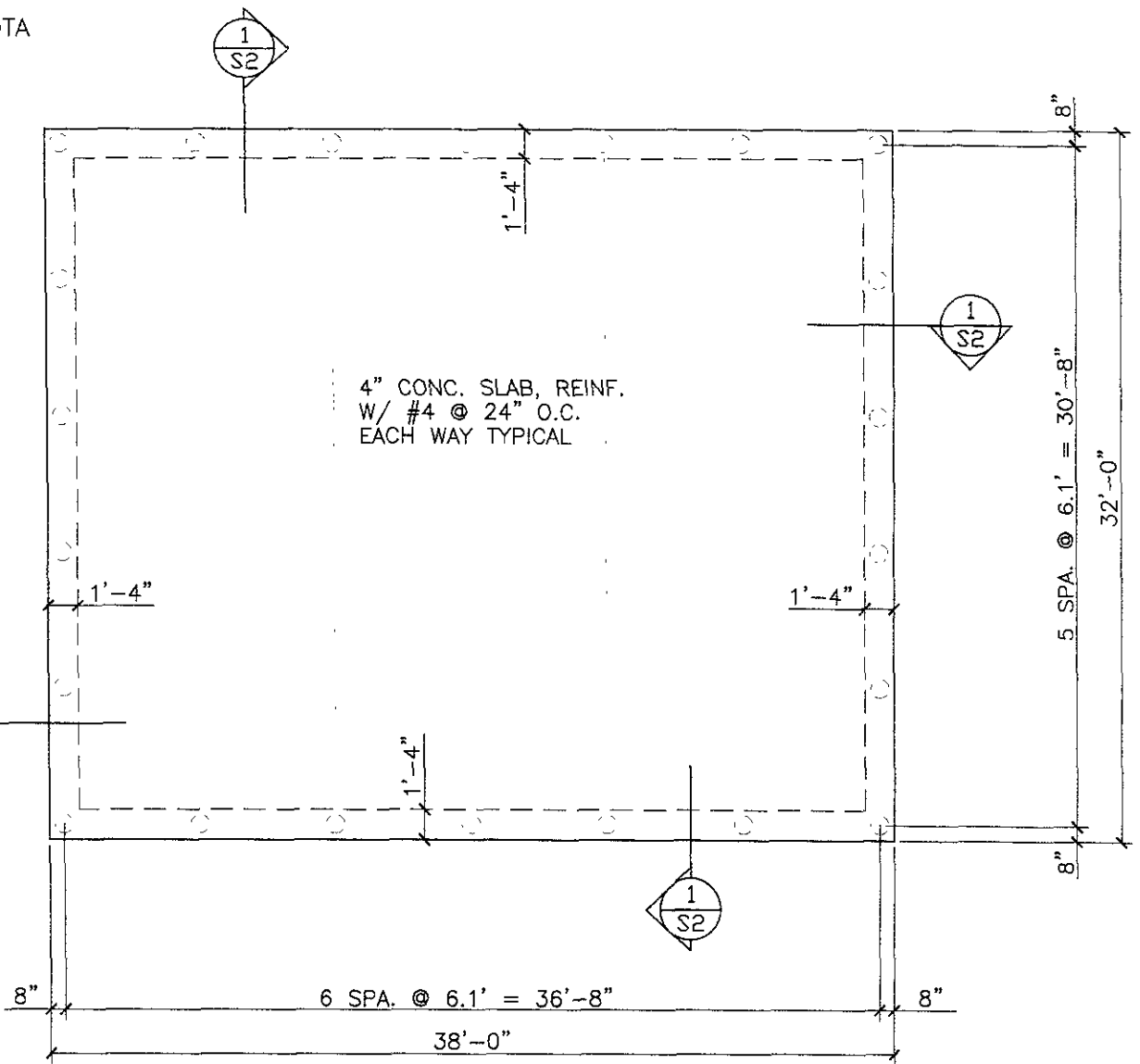
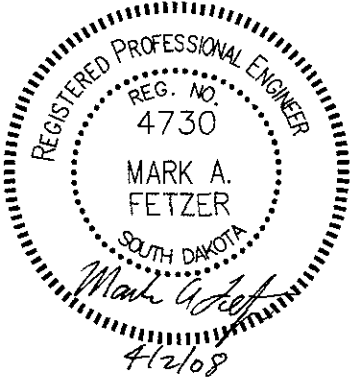


RICHARD CRIST
GARAGE FOUNDATION
1416 PANORAMA CIRCLE
RAPID CITY, SOUTH DAKOTA

08UR003

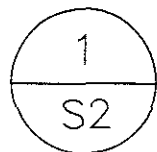
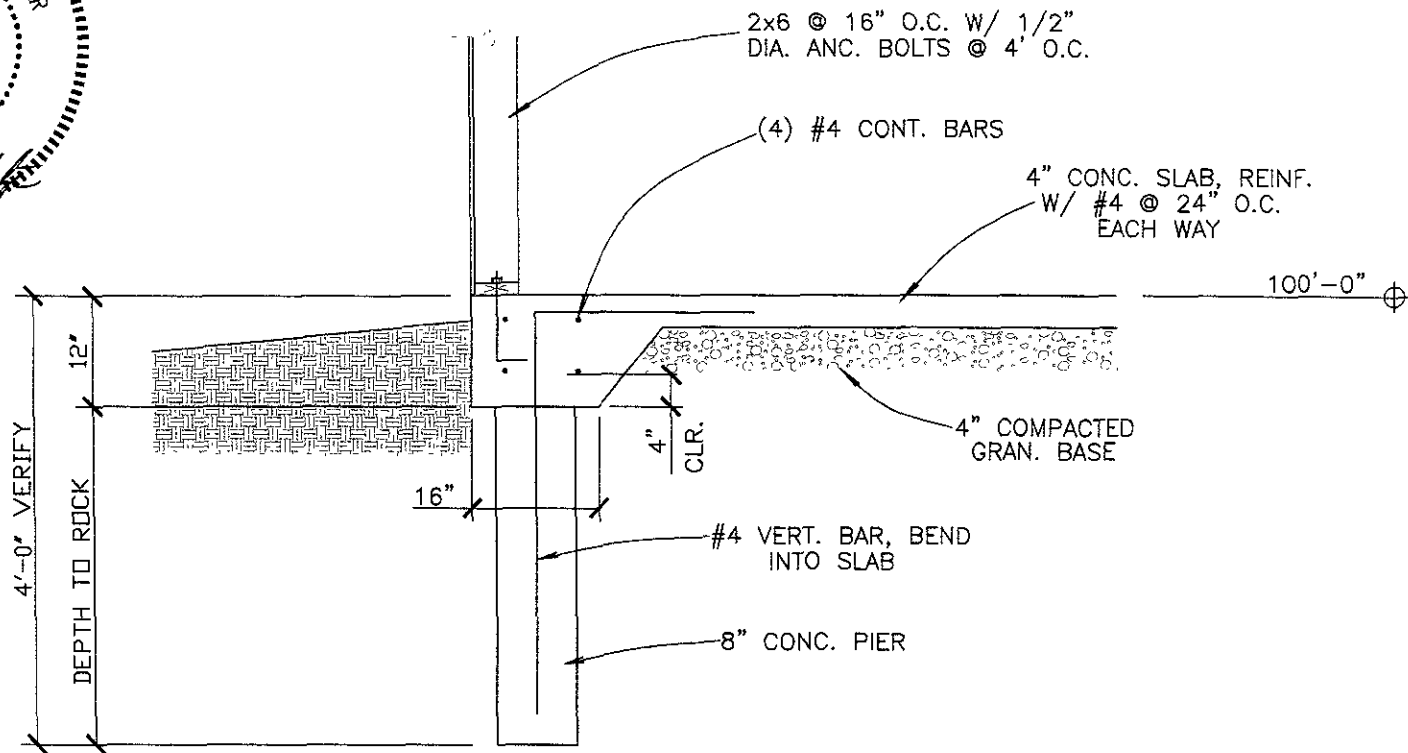
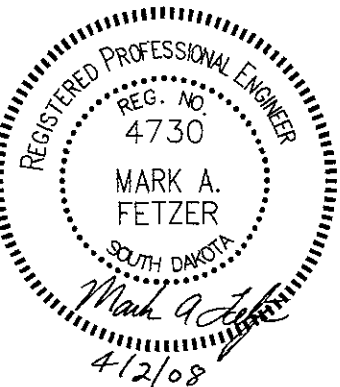


FOUNDATION PLAN

1/8" = 1'-0"

08UR003

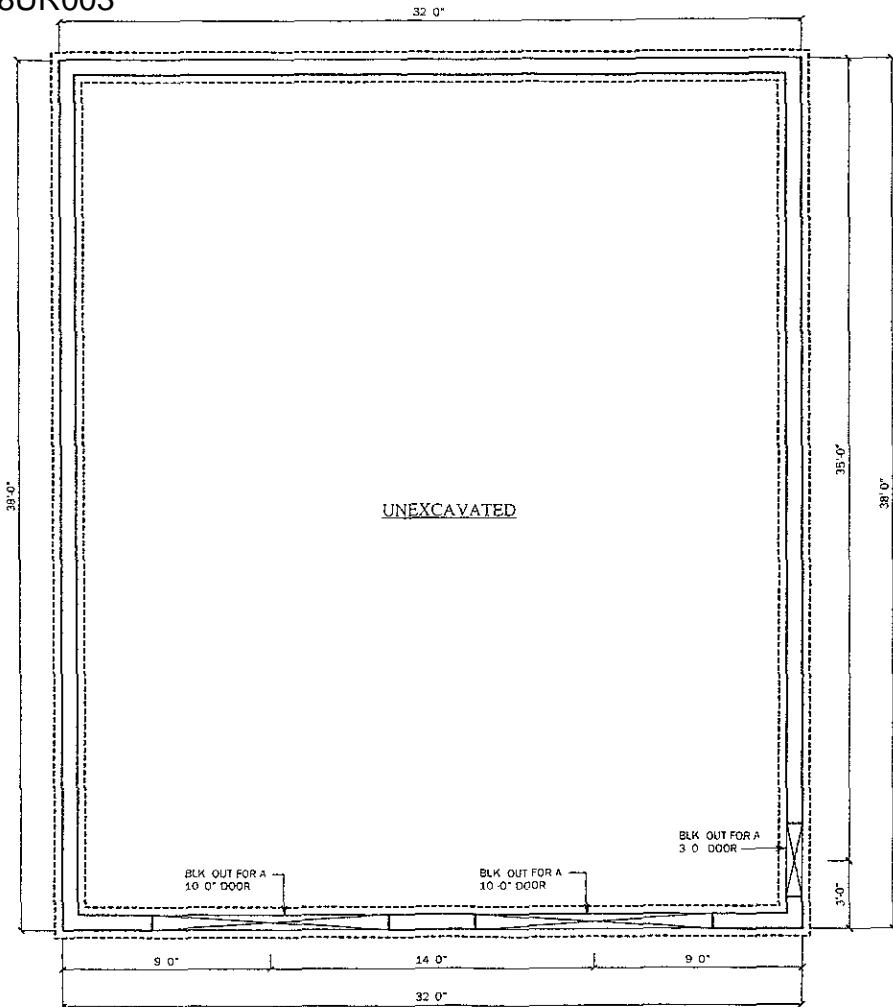
RICHARD CRIST
1416 PANORAMA CIRCLE
RAPID CITY, SOUTH DAKOTA



FOUNDATION SECTION

1/2" = 1'-0"

08UR003



FOUNDATION PLAN

SCALE: 3/16" = 1'-0"

1216 SQ FT ON GARAGE FND