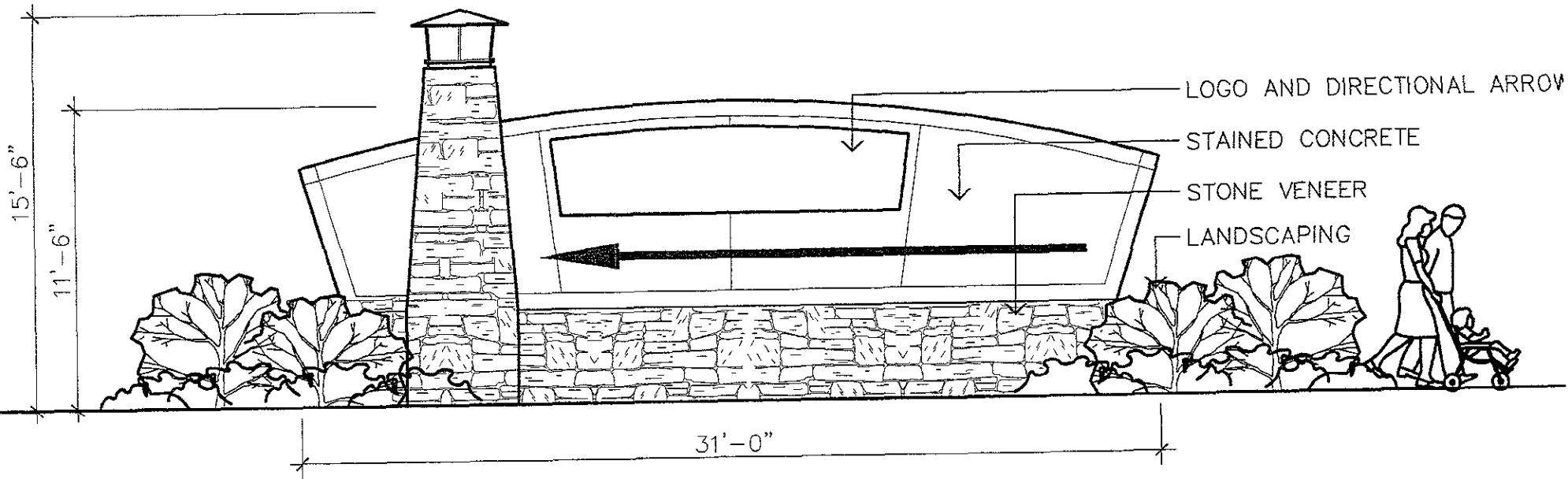


07PD068



BLACK HILLS SURGERY CENTER - SIGN "A"