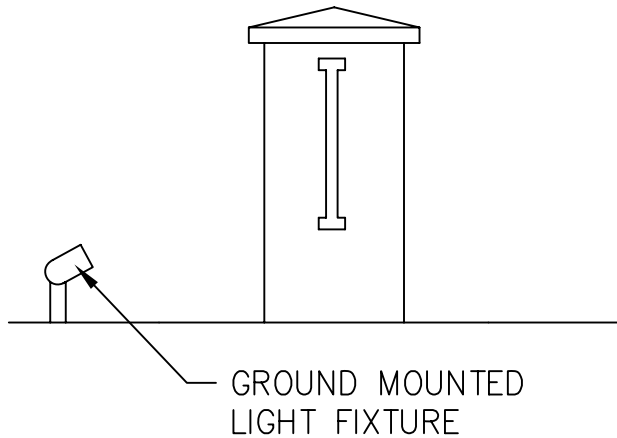


1 FRONT ELEVATION

Scale: 1/2"=1'



2 SECTION

Scale: 1/2"=1'

FAIRWAY HILLS RAPID CITY SD
Spencer Ruff Associates, Inc.

Architecture - Historic Restoration - Planning - Interior Design

732 East Woodlawn Drive, Sioux Falls, SD 57105

Phone: 605.331.5413 - Fax: 605.331.2101

Drawn By: SRR

Date: 8-22-06

SD1.1