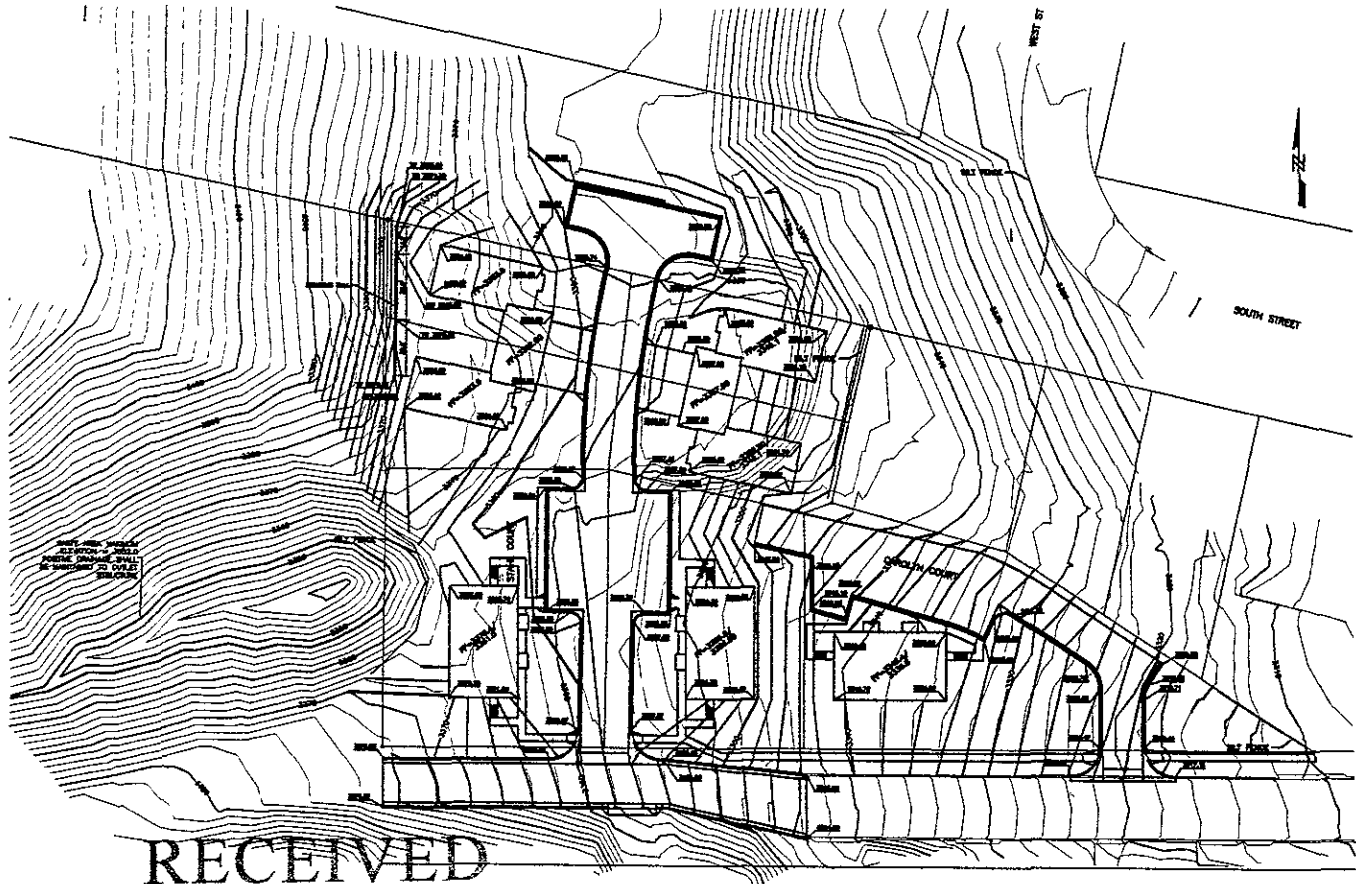
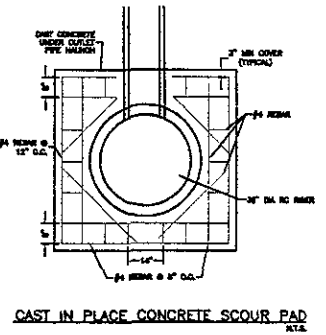
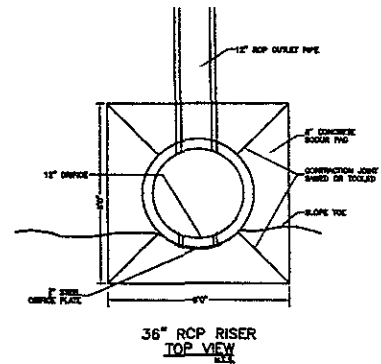
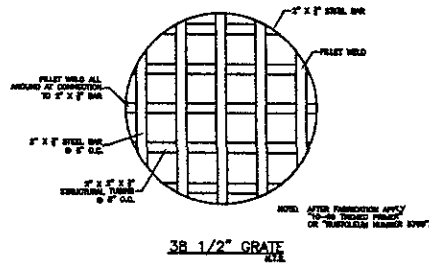


GENERAL NOTES:

1. CONCRETE DETENTION BASIN IS 2 FEET.
2. CONCRETE BASIN AND FINISHED GRADE CONSTRUCTION IS RESPONSIBLE FOR DETERMINING SUBGRADE ELEVATIONS.
3. SPOUT ELEVATIONS ARE ALL TOP UNLESS OTHERWISE NOTED.
4. ALL UNDEVELOPED AREAS NOT COVERED WITH EXISTING CONCRETE OR ASPHALT SHALL RECEIVE 2" OF TOPSOIL AND BE SEEDING.
5. BRICKWORK - OF 3 - SCHEDULE PROPERTY CORNER OF LOT 1.
 8 1/2" x 8 1/2" STRUCTURAL TUBES @ 4" O.C.
6. SILT FENCE AS SHOWN SHALL BE INSTALLED FOR CONSTRUCTION AND SHALL REMAIN IN PLACE UNTIL VEGETATION IS ESTABLISHED ON SITE.
 TOTAL LENGTH OF SILT FENCE = 324 LF



RECEIVED

FEB - 9 2005

Rapid City Growth
Management Department

DATE: 05-20-05
 SCALE: 1"=20' FOR
 DRAWING CDF
 REVISIONS: ANY
 DESIGNED: RY

Ferber Engineering, Inc.
 1000
 2000
 3000
 4000
 5000
 6000
 7000
 8000
 9000
 10000
 11000
 12000
 13000
 14000
 15000
 16000
 17000
 18000
 19000
 20000
 21000
 22000
 23000
 24000
 25000
 26000
 27000
 28000
 29000
 30000
 31000
 32000
 33000
 34000
 35000
 36000
 37000
 38000
 39000
 40000
 41000
 42000
 43000
 44000
 45000
 46000
 47000
 48000
 49000
 50000
 51000
 52000
 53000
 54000
 55000
 56000
 57000
 58000
 59000
 60000
 61000
 62000
 63000
 64000
 65000
 66000
 67000
 68000
 69000
 70000
 71000
 72000
 73000
 74000
 75000
 76000
 77000
 78000
 79000
 80000
 81000
 82000
 83000
 84000
 85000
 86000
 87000
 88000
 89000
 90000
 91000
 92000
 93000
 94000
 95000
 96000
 97000
 98000
 99000
 100000

STANLY VICTORIAN ADDITION
 GRADING PLAN
 DETENTION CELL DETAILS

PROJECT NO.
 J01-102

SHEET NO.
 3/4