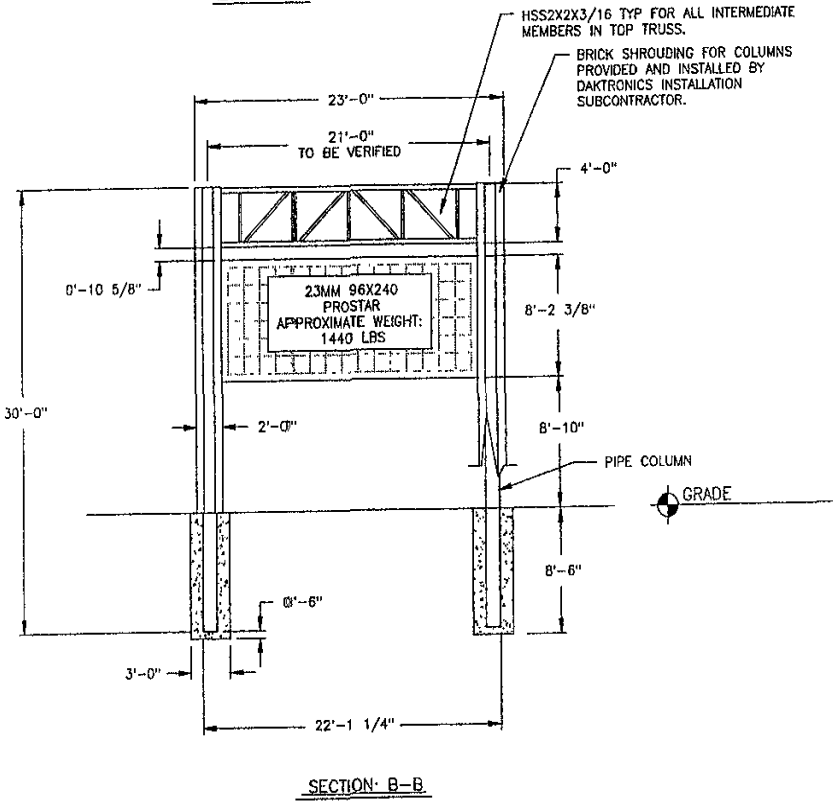
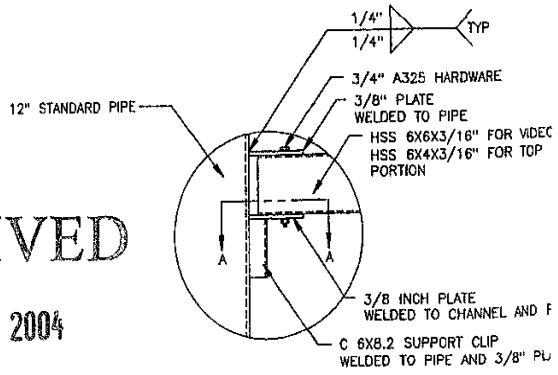
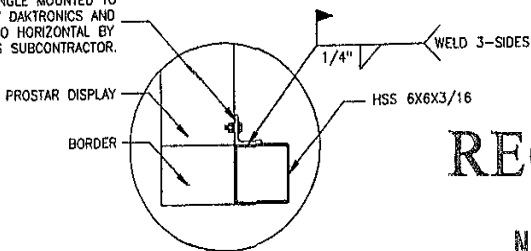


SHROUDING NOT SHOWN  
FOR CLARITY  
DIMENSIONS ARE FROM  
GRADE AND BOTTOM OF  
STEEL TUBES.



L3x3x3/8 CLIP ANGLE MOUNTED TO  
DISPLAY BY DAKTRONICS AND  
WELDED TO HORIZONTAL BY  
DAKTRONICS SUBCONTRACTOR.



DETAIL TYP FOR ALL TUBE  
TO COLUMN CONNECTIONS.

RECEIVED

NOV 18 2004

Rapid City Growth  
Management Department